

# SCHOOLHOUSE

## Factory 4 Cord Pendant

**Application:** Pendant

**Product Origin:** Processed and assembled in Portland, Oregon using ethically-sourced domestic and global components.

**UL Listed:** Yes

**Max Wattage:** 150 W

**Voltage:** 120/220 V

**Location Rating:** Damp

**Dimensions:**

Choice of Length: 20 - 84"

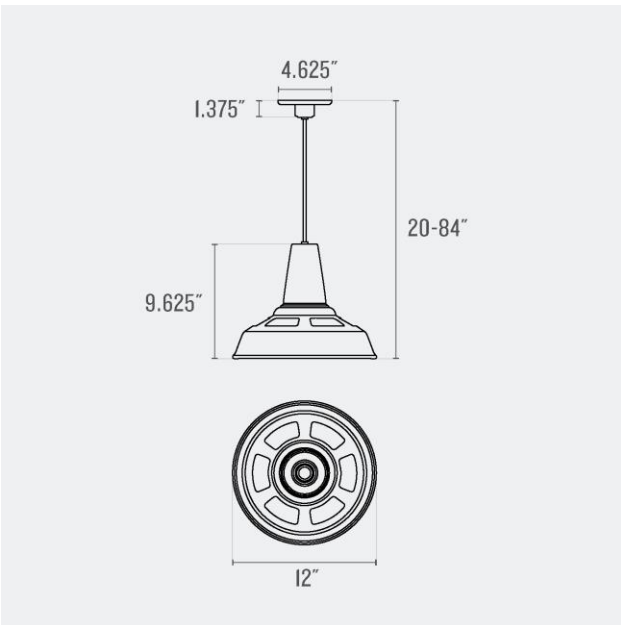
Overall: 12" W x 12" D

Shade: 9.625" H x 12" W x 12" D

Canopy: 1.375" H x 4.625" W x 4.625" D

**Materials:** Aluminum, Steel

One year guarantee



# SCHOOLHOUSE

---

## Color Option(s)



Shell White-Gloss  
(SWT-G)



Eceru-Gloss  
(EC-G)



Juniper-Gloss  
(JPR-G)



Alder-Gloss  
(AGR-G)



Paprika, Gloss  
(PPA-G)



Butterscotch-Gloss  
(BU-G)



Lichen-Gloss  
(LN-G)



Dune-Gloss  
(DU-G)



Industrial Yellow-Gloss  
(INY-G)



Black-Gloss  
(BK-G)



Navy-Gloss  
(NV-G)



Pebble-Gloss  
(PEB-G)



Persimmon-Gloss  
(PS-G)



Chamomile-Gloss  
(CE-G)

## Cord Option(s)



Black Cloth Covered Vinyl  
(BCV)

# SCHOOLHOUSE

## Factory 4 Cord LED Pendant

**Application:** Pendant

**Product Origin:** Processed and assembled in Portland, Oregon using ethically-sourced domestic and global components.

**UL Listed:** Yes

**Wattage:** 13 W

**Voltage:** 120 V

**Location Rating:** Damp

**Dimensions:**

Choice of Length: 20 - 84"

Overall: 12" W x 12" D

Shade: 9.625" H x 12" W x 12" D

Canopy: 1.375" H x 4.625" W x 4.625" D

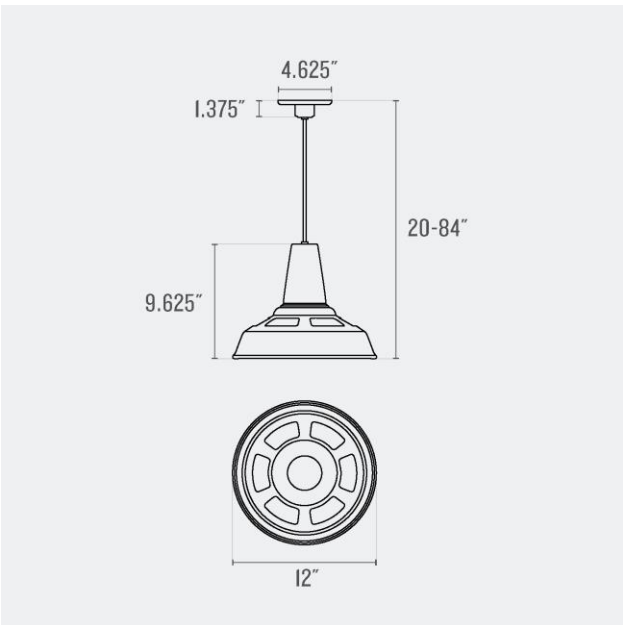
**Materials:** Aluminum, Steel

**Hour Life:** 50,000 hrs

**Color Temperature:** 3000K

**Color Rendering Index:** 80 CRI

One year guarantee



# SCHOOLHOUSE

---

## Color Option(s)



Paprika-Gloss  
(PPA-G)



Persimmon-Gloss  
(PS-G)



Alder-Gloss  
(AGR-G)



Navy-Gloss  
(NV-G)



Industrial  
Yellow-Gloss  
(INY-G)



Lichen-Gloss  
(LN-G)



Chamomile-Gloss  
(CE-G)



Shell White-Gloss  
(SWT-G)



Pebble-Gloss  
(PEB-G)



Dune-Gloss  
(DU-G)



Ecru-Gloss  
(EC-G)



Butterscotch-Gloss  
(BU-G)



Black-Gloss  
(BK-G)



Juniper-Gloss  
(JPR-G)

## Cord Option(s)



Black Cloth  
Covered Vinyl  
(BCV)