

Installation Guide

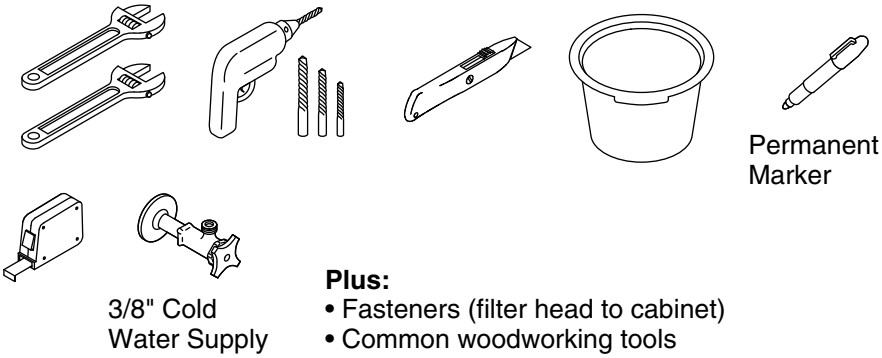
Water Filtration System

Français, page“ Français-1”
Español, página“ Español-1”

1359388-2-C

THE BOLD LOOK
OF **KOHLER**®

Tools and Materials



Before You Begin



WARNING: Risk of personal injury. Do not use with water that is microbiologically unsafe or of unknown quality without adequate disinfection before or after the system.



CAUTION: Risk of property damage. Do not install the unit where the temperature may drop below freezing, may be exposed to direct sunlight, or may be exposed to heat.

NOTICE: Read this entire installation guide thoroughly to prevent personal injury and property damage during installation and use of this product.

NOTICE: Check with your local public works department for plumbing code requirements. Follow their guidelines as you install this water filtration system.

NOTICE: This product has a limited service life. Keep a record of the date of installation and any other performed maintenance. Because of the limited service life, and to prevent costly repairs or possible water damage, replace the system every 10 years.

NOTICE: Turn off the water supply to the filter head, and remove the filter cartridge if it will be unattended for an extended period of time (approximately 4 weeks or more). Store the filter cartridge in a sealed bag in the refrigerator to maximize the remaining filter capacity.

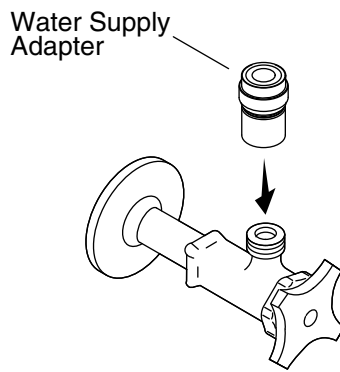
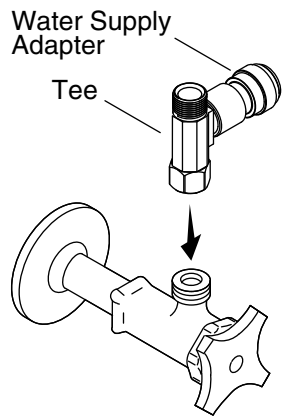
NOTICE: If this device is not maintained and operated as specified in the installation guide, there is a risk of exposure to contaminants.

Before You Begin (cont.)

NOTE: Make sure that the mounting location and fastening hardware will support the system when installed and full of water.

- Observe all state and local plumbing and building codes.
- Contaminants or other substances removed or reduced by this filtration system may not be present in your water. Refer to the Performance Data Sheet (included) for contaminants and reduction performance.
- System is not intended to convert wastewater or raw sewage into drinking water.
- Inspect the plumbing and supplies for damage. Repair or replace as needed.
- Install the water filtration system to a cold water supply only. Do not install the system to a hot water supply.
- The water filtration system is designed to be installed beneath a sink. Make sure that the bottom of the filter cartridge is at least 2" (51 mm) above the floor of the cabinet, and will be accessible for filter cartridge replacement after installation.
- Replace the filter cartridges every 6 months, when the capacity has been exceeded, or when a noticeable decrease in water flow is observed.
- Flush the filter system thoroughly after prolonged periods of nonuse. Allow the water to flow for 5 or 6 minutes before use.
- This system connects to a 3/8" (9/16"-24 UNEF-2A) compression connection. Special fittings may need to be purchased to accommodate other connections.
- Record your model number and installation date below. Also mark the installation date on the filter head and filter cartridges.
Model number: _____ Replacement date: _____
- Keep this installation guide for future reference.

To learn more about other KOHLER water filtration systems, replacement cartridges, subscription services, and recycling program visit kohler.com.

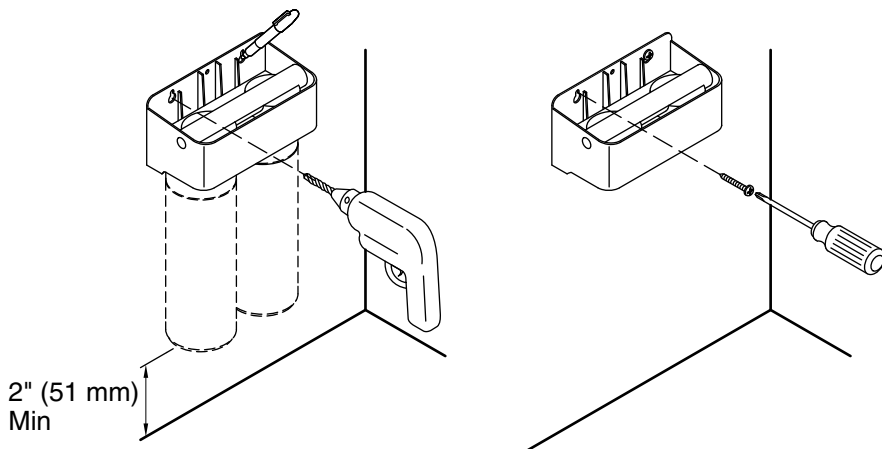


1. Assemble the Filtration System

- **For existing installations:** Turn off the cold water supply, and turn on the faucet to relieve water pressure and drain water from the line.
- Disconnect the cold water supply line from the cold water supply valve.

NOTICE: Use care to avoid overtightening or cross-threading the connections to prevent water leakage.

- If both filtered and unfiltered water will be supplied, install the tee (provided) to the cold water supply valve.
- Connect the water supply adapter to the cold water supply valve or the tee.



2. Mount the Filtration System

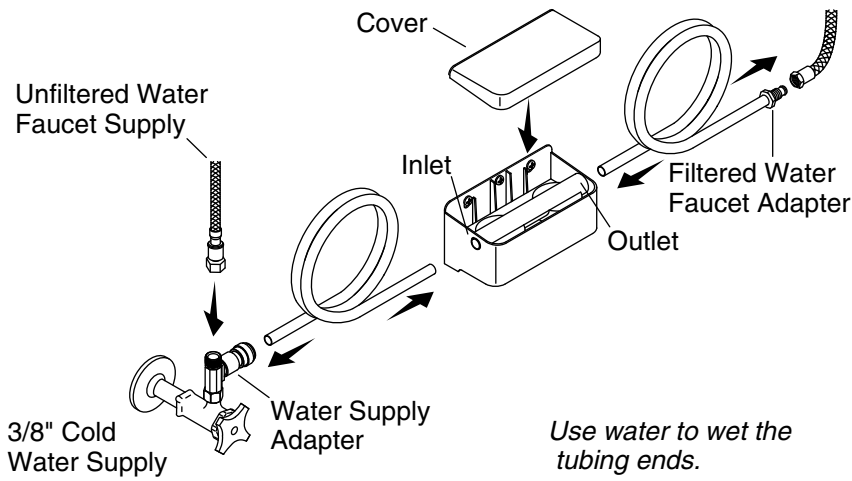
IMPORTANT! This unit is designed for vertical installation.

IMPORTANT! The mounting location of the water filtration system is critical. Verify that the bottom of the filter cartridge will be at least 2" (51 mm) from the floor of the cabinet. Ensure that the system will not interfere with other items and will be easily accessible. Make sure that the tubing will not be under tension when installed.

IMPORTANT! Only connect water from the supply line to the filter head inlet. Only connect water from the filter head outlet to the faucet. System performance and filter cartridge capacity will be compromised if connected incorrectly. "INLET" and "OUTLET" are molded into the filter head and are visible by removing the cover.

NOTICE: Select mounting fasteners (not provided) appropriate for the cabinet wall material.

- ❑ Align the mounting holes of the filter head at the determined mounting location.
- ❑ Mark the mounting-hole locations with a permanent marker. Set the filter head aside.
- ❑ Pre-drill the mounting holes, if necessary, based upon the fasteners selected.
- ❑ Partially thread the fasteners (provided) into the cabinet wall, and slide the filter head over the fasteners.
- ❑ Secure the filter head in position by tightening the fasteners.



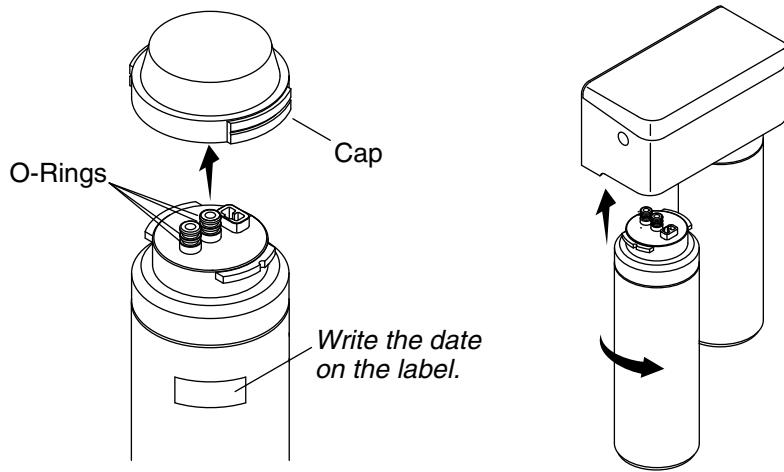
3. Connect the Tubing



CAUTION: Risk of property damage. Do not damage, kink, or crimp the tubing. Avoid cutting the tubing. If it is necessary to cut the tubing, use a sharp utility knife to make a clean and square cut to avoid water leakage.

IMPORTANT! Water from the supply line **must** be connected to the filter head inlet. Water from the filter head outlet **must** be connected to the faucet. System performance and filter capacity will be compromised if connected incorrectly.

- Wet the end of one of the tubing sections with water, and press it firmly into the inlet port of the filter head.
- Wet the other end of the tubing with water, and press it firmly into the water supply adapter.
- Repeat for the other tubing section, pressing one end into the outlet port of the filter head. Press the remaining end into the filtered water faucet adapter.
- Connect the filtered water faucet inlet to the filtered water faucet adapter.
- If used, connect the unfiltered water faucet inlet to the tee.
- Press the cover onto the filter head.
- If desired, secure the tubing to a cabinet wall using appropriate clamps and hardware (not provided).



4. Install the Filter Cartridges

IMPORTANT! Replace both cartridges at the same time to maintain proper performance.

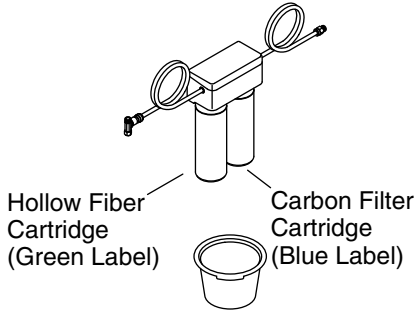
NOTE: See the "Condition New Cartridges" section for cartridge orientation and conditioning instructions.

- Write the installation date on the new filter cartridge labels.
- Remove and discard the cap from the filter cartridge.
- Inspect the filter cartridges for damage.
- Verify that both sets of O-rings are present and are positioned correctly in the grooves.

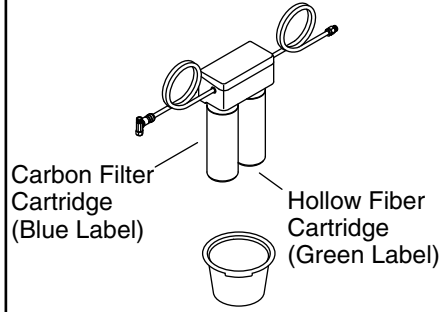
NOTE: The filter cartridges will only engage into the filter head one way. Do not force the components.

- Align the filter cartridge so the label is to the left, and press upward so the filter cartridge key engages into the filter head.
- Use your hand to rotate the filter cartridge counterclockwise 90° until it stops and is securely engaged into the filter head.
- Turn on the cold water supply and check all connections for leaks.
- Run water through the faucet for 10 minutes to remove any air and carbon particles from the system.

New Cartridge Conditioning



Cartridges In Use



5. Condition New Cartridges

- Install the hollow fiber cartridge (green label) in the left cartridge position.
- Install the carbon filter cartridge (blue label) in the right cartridge position.
- Turn on the cold water supply and check all connections for leaks.
- Run water through the faucet for 10 minutes to remove any air and carbon particles from the system.
- Leave the faucet partially open to allow excess water to flow during cartridge removal.
- Place a bucket or towel under the system. Remove the cartridge on the left first, then remove the cartridge on the right. Some dripping or spray is normal as pressure is released from the system.
- Install the carbon filter cartridge (blue label) in the left cartridge position.
- Install the hollow fiber cartridge (green label) in the right cartridge position.
- For routine cartridge replacement, please follow the same steps listed above.

Maintenance

Routine maintenance and filter cartridge replacement will not require that the tubing be disconnected. Follow this procedure if it becomes necessary to disconnect the tubing from the fittings.

- Turn off the cold water supply to the filtration system, and turn on the faucet to relieve water pressure.
- Firmly press in the collar around the fitting while using your hand to pull the tubing free.
- Inspect the tubing for damage or crimping.
- Refer to the "Connect the Tubing" section to reinstall the tubing.
- Refer to the replacement filter cartridge installation instructions to replace the filter cartridge.

Troubleshooting

This troubleshooting guide is for general aid only. For warranty service, contact your dealer or wholesale distributor.

For service parts and replacement filter cartridges, visit your product page at kohler.com.

Symptoms	Probable Causes	Recommended Action
1. Water leaks between the filter head and the filter cartridge.	A. An O-ring is damaged, dirty, or out of place.	A. Turn off the water supply, and relieve water pressure. Remove the filter cartridge and inspect the O-rings for damage or debris, and ensure that the O-rings are in place. Reinstall the filter cartridge, turn on the water supply, and check for water leakage.

Troubleshooting (cont.)

Symptoms	Probable Causes	Recommended Action
2. Water leaks at a tubing connection.	A. Tubing is not cut square, or is damaged or crimped.	A. Turn off the water supply, and relieve water pressure. Press in the collar around the fitting at the leak, and pull the tubing to remove. Use a sharp utility knife to cut 1/2" (13 mm) off the end of the tubing. Reinsert the tubing into the fitting. Turn on the water supply and check for leakage.
3. Water leaks at a threaded connection.	A. The connection is damaged or dirty.	A. Turn off the water supply, and relieve water pressure. Disconnect the fitting, and inspect the seal for damage or debris. Remove any debris or replace the damaged fitting. Securely reconnect the fitting, but do not overtighten. Turn on the water supply and check for leakage.

Kohler Aquifer® + Filtration System
Replacement 2-Pack Cartridges
(Carbon Block and Hollow Fiber): K-29651-NA
Replacement Hollow Fiber Only: K-29639-NA

Model Series: K-29638 Aquifer® + System
Flow Rate: 0.85 gpm (3.21 lpm)
Capacity: 389 gal (1,472 L)



The K-29638 model is tested and certified by IAPMO R&T against CSA B483.1; NSF/ANSI Standard 42 for the aesthetic reduction of chloramines and Particulate Class I; NSF/ANSI Standard 53 for the reduction of asbestos, cysts, lead, mercury, MTBE, turbidity and VOC; NSF/ANSI Standard 401 for the reduction of Phenytoin, Bisphenol A, Estrone, Ibuprofen, Naproxen, Nonyl phenol, Meprobamate, Atenolol, Carbamazepine, DEET, Metalochlor, Trimethoprim, Linuron, TCEP, TCPP; conforms to NSF Protocol P473 for the reduction of Perfluorooctanoic acid (PFOA) and Perfluorooctane sulfonate (PFOS); conforms to NSF Protocol P231 for microbiological water purifiers.

See Performance Data Sheet for individual contaminants and reduction performance.

These systems conform to NSF/ANSI 42, 53, and 401, NSF Protocol P473, and NSF Protocol P231 for the specific performance claims as certified and substantiated by test data.

The compounds certified under NSF/ANSI 401 have been deemed as emerging contaminants.

6. Cartridge Specifications

Cartridge Specifications (cont.)

For conditions of use and replacement parts, refer to this guide and the Performance Data Sheet.

Do not use on water that is microbiologically unsafe or of unknown quality without adequate disinfection before or after this filter system. Systems certified for cyst reduction may be used on disinfected waters that may contain filterable cysts.

System is not intended to convert wastewater or raw sewage into drinking water.

Operating Pressure: 40 psi (276 kPa) - 120 psi (827 kPa)

Operating Temperature: 33°F (0.5°C) - 100° (37.8°C)

Service parts and replacement cartridges are available from your local distributor, or directly from Kohler Co.:

Kohler Co., 444 Highland Drive, Kohler, Wisconsin, 53044

Warranty

Need help? Contact the Customer Care Center at 1-800-456-4537.

For care and cleaning and other information visit kohler.com/clean.

This product is covered under the KOHLER® Warranty: **Water Filter Systems Five-Year Limited Warranty.**

For a hardcopy of warranty terms, contact the Customer Care Center.

USA/Canada: 1-800-4KOHLER (1-800-456-4537)

Mexico: 001-800-456-4537

kohler.com/warranty