

BOSS[®]
AUDIO SYSTEMS



BOSS[®]
AUDIO SYSTEMS



 **Bluetooth**[®]



MCBK520B **USER'S MANUAL**
BLUETOOTH[®] | 3" (76 mm) WEATHER RATED
SPEAKER AND AMPLIFIER SYSTEM



BOSS Audio Systems
3451 Lunar Court • Oxnard, CA 93030
www.bosssaudio.com
805-751-4853 Customer Service
Tech Support: www.bosssaudio.com/support



0121

The Bluetooth[®] word mark and logos are registered trademarks owned by Bluetooth SIG, Inc. and any use of such marks by BOSS Audio Systems is under license. Other trademarks and trade names are those of their respective owners.

MCBK520B Motorcycle/UTV Amplified Speaker System

Features

- Weatherproof Speakers
- FM Tuner
- USB/SD Auto-turn on and Auto-play function*
- USB Port: up to 32 GB flash drives supported*
- SD Port: up to 32 GB card supported
- Remote Control
- 3.5 mm AUX Input
- Bluetooth audio streaming
- * The system auto turns on and auto plays music when a USB/SD device is inserted to USB/SD port in system OFF mode.
- * USB Port does not support charging

Contents

Amplifier	1 PC
High-Performance, Weatherproof Speakers	2 PCS
Amplifier Mounting Screws	4 PCS
Speaker Clamp Mounting Hardware	1 PAIR
Rubber Mounting Shims	4 PCS
Fuse	1 PC
Remote controller	1 PC
Remote controller battery	1 PC
User's manual	1 PC

MCBK520B Motorcycle/UTV Amplified Speaker System

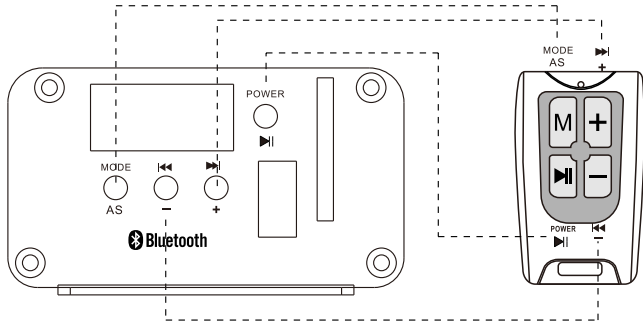
Specifications

Operation Voltage	-----10~16V
THD	-----<0.1%
S/N	----->50dB
Channel Separation	----->50dB
Channel Balance	-----<2dB
Frequency Response	-----20Hz-20kHz
FM Frequency Range	-----87.5-108.0MHz
FM Sensitivity	-----10 μ V@S/N 30dB
USB Port	-----Support USB 2.0
SD Slot	-----Support 128MB-32GB
Speaker Wires	-----3.6'
Audio Input Cable	-----6.2'
Power Cable	-----6.2'
Clamp Size Range	-----0.75"~1.25"
Fuse Rating	-----7.5A
Amplifier dimensions	-----5.2"x 3.1"x1.7"

MCBK520B Motorcycle/UTV Amplified Speaker System

Remote Control

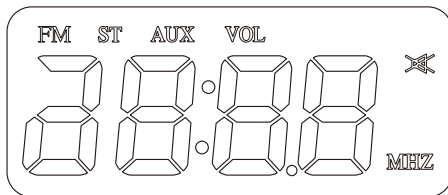
The remote controller can take place of the 4 same buttons on the main unit



Remote controller function diagram

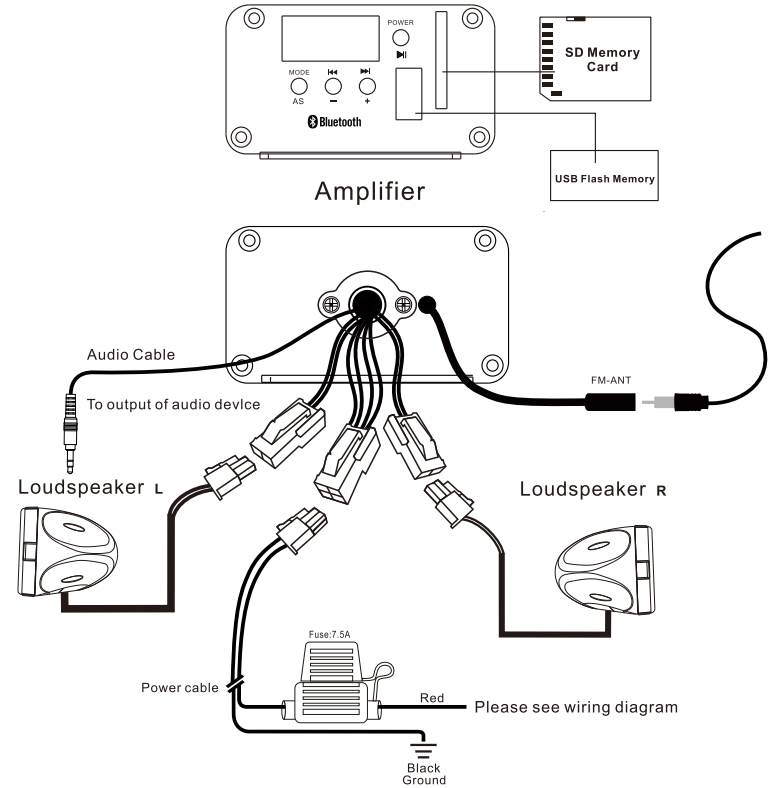
Note: Remote Distance: 8-10 meters (26.2-32.8 feet) (open area)

LCD Display



MCBK520B Motorcycle/UTV Amplified Speaker System

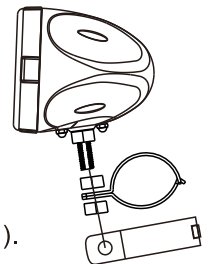
Connection Diagram



Amplifier and Loudspeaker Mounting Installation Reminder

The components and wiring should not be installed around any moving parts, keep away from ignition parts, fuel lines, or any hot exhaust.

Speakers should not be installed where they might inhibit safety features on the vehicle (i.e. lights, horns, brake levers, etc...).



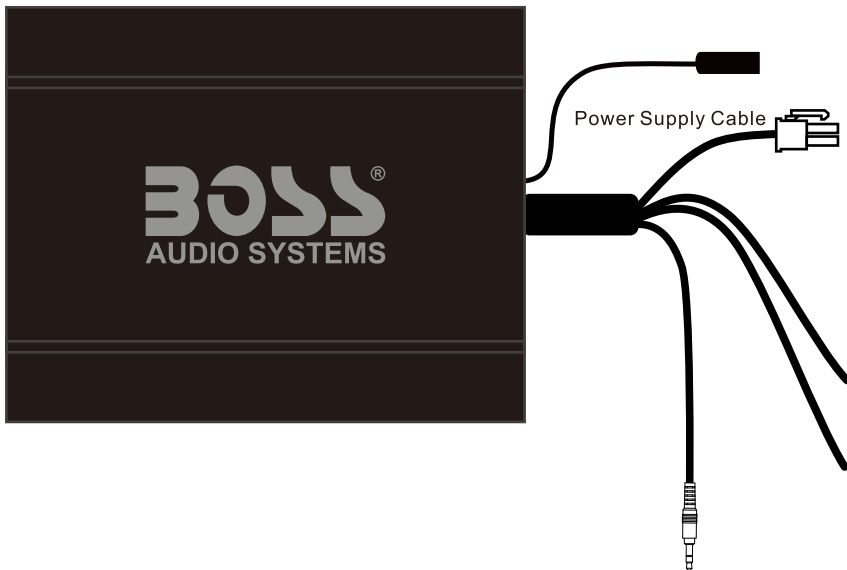
Power Supply Connection

Option A

Connected to Battery through a
12 VDC SPDT Relay
(Single Pole Double Throw)
NOT INCLUDED, SOLD SEPARATELY

Option B

Connected to Battery through a
Waterproof Switch (250V AC/6A)
NOT INCLUDED, SOLD SEPARATELY



MCBK520B Motorcycle/UTV Amplified Speaker System

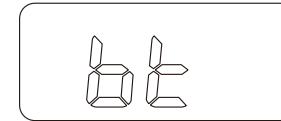
Bluetooth

Pairing a Bluetooth device with the system

Press MODE button on the system and select BT mode, LCD display shows **bt** as below. If **bt** on the screen is flashing, it means the system is ready to be paired.

To pair and connect, search for **Boss Audio MCBK520B** on your mobile device

The system stops flashing after successful pairing.



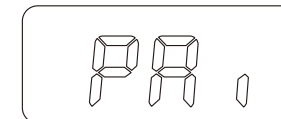
Note: In order for Bluetooth technology to work properly, the two devices need to be close together; no more than 25 feet apart is recommended. Make sure that you are near your Bluetooth device when trying to pair your Bluetooth device with it.

Play music through the system controls in BT mode

Activate music player in your paired Bluetooth device, pressing ►| / ◀◀/▶▶ buttons of the system can control the paired device play/ pause/last song/next song in BT connected mode..

Unpair a Bluetooth device manually in the system

Once the Bluetooth devices are paired, however, the connections will continue until they are manually severed. In BT connected mode, press MODE button for more than 2 seconds, LCD display shows PA, it means the system and the bluetooth device are unpaired manually.

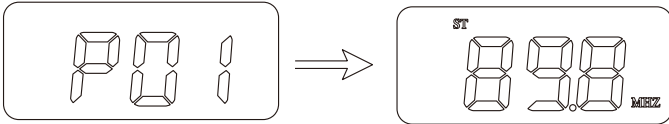


MCBK520B Motorcycle/UTV Amplified Speaker System

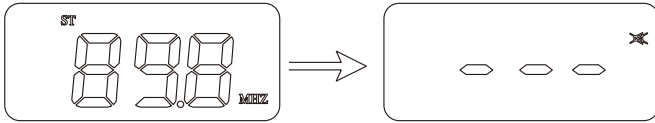
FM Radio Operation

- 1) Press the button MODE on the front panel to select FM Radio Mode.
- 2) In FM mode, press MODE/AS button for more than 2 seconds, will enter FM auto-scan and auto-storage mode.

The system will auto scan FM radio station and then store it one by one till 20 ones finished.
After storage, press **◀▶** to select P01, P02...until the station you like

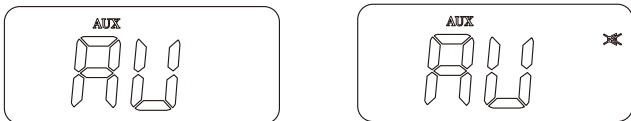


- 3) In FM mode, press POWER button will mute output of system and release it by pressing POWER button again.

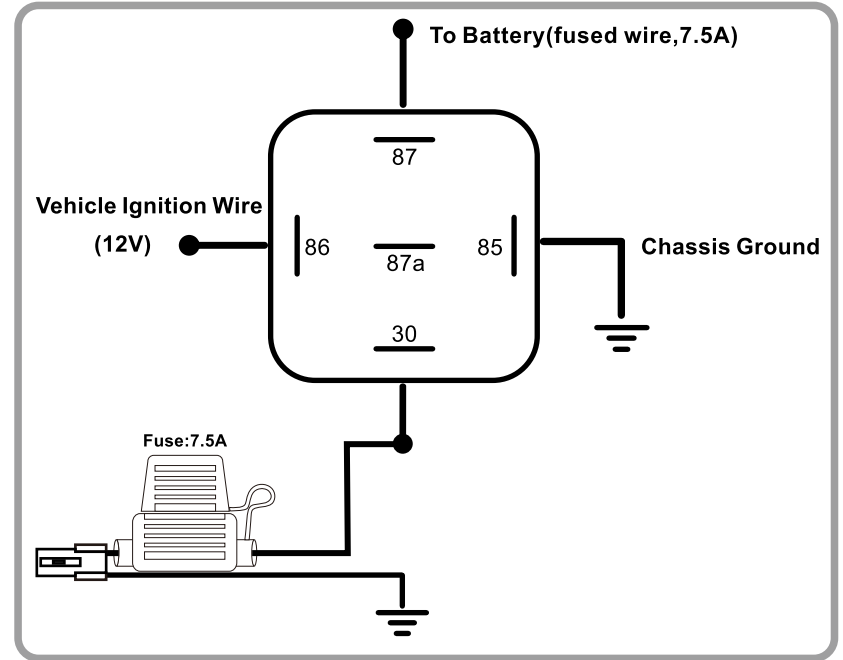


AUX Mode Operation

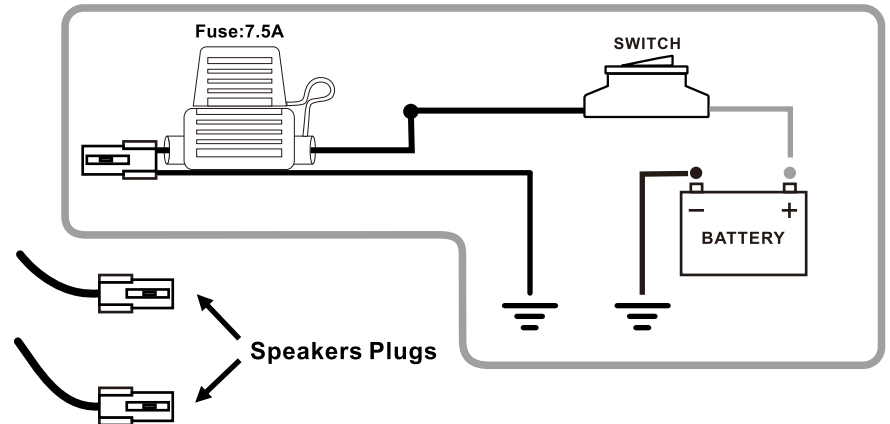
- 1) Press the button MODE to select AUX mode operation.
- 2) Play music at audio device connected to the 3.5mm input plug of the system.
- 3) Adjust button +/- for volume control.
- 4) In AUX mode, press POWER button to mute the output of system and release it by pressing the button again.



Option A (Relay)



Option B (Switch)



MCBK520B Motorcycle/UTV Amplified Speaker System

Operation Instruction

First Time to Use the System

Plug the loudspeaker connectors and FM-ANT connector to amplifier connectors per the connection diagram on page 3.

Connect the power cable to 12VDC power supply.*

*Note: The system will recall and enter to the last operating mode directly.

Turn on/Turn off the system

Pressing the button POWER on the front panel for more than 2 seconds, the system will be turned on and ready for operation*.

Pressing the button POWER again for more than 2 seconds will turn off the system.

*Note: The system will memorize and recall the last state of operating mode (FM radio/BT/USB/SD/AUX)

Automatic shutdown for power saving

In USB/SD/AUX/BT modes, the system will shut down automatically for power saving if there is no signal input for more than 10 minutes.

For example, the system will shut down automatically if there is no AUX signal, BT not connected or BT connected but no audio signal transfer, or USB/SD pause for more than 10 minutes.



Select an Operation Mode

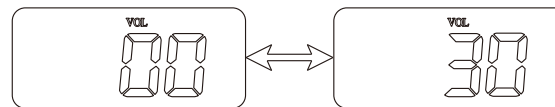
Pressing the button MODE on the front panel can change the mode from one to other (FM radio/BT/USB/SD/AUX) and select one of the mode you like.

Note: USB and SD modes are active only when a device is connected to the USB port/SD slot.

MCBK520B Motorcycle/UTV Amplified Speaker System

Volume Control

Pressing the button + or – for more than 2 seconds in all mode, the system will be ready for the volume control with the range of 0~30 displayed on the screen. Adjust it to your desired setting without audio distortion.

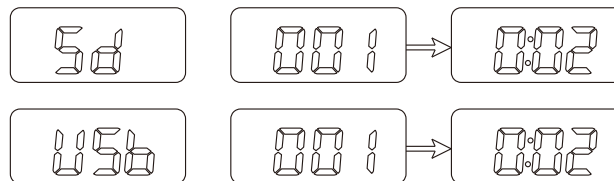


Note: The words VOL will be displayed on LCD screen during volume adjustment.

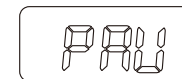
USB/SD MP3/WMA Automatically Playing Function

The system will play Mp3/ WMA format songs automatically when an USB flash memory/SD card is inserted to the USB port/ SD slot on the front panel at any state including the system OFF mode.

1) Pressing the button ◀▶ to select last or next song.



2) Pressing the button ▶|| will pause the music playing and disable it by pressing it again.



3) In USB/SD mode, press MODE button for more than 2 seconds will enter EQ. Then press MODE shortly can select E1 (FLAT)-E2 (CLASSIC)-E3 (POP M)-E4 (ROCK M)-E0F (EQ OFF)

