





Thank you for purchasing this quality product. Be sure to unpack carefully looking for small parts which may have come loose during shipment.

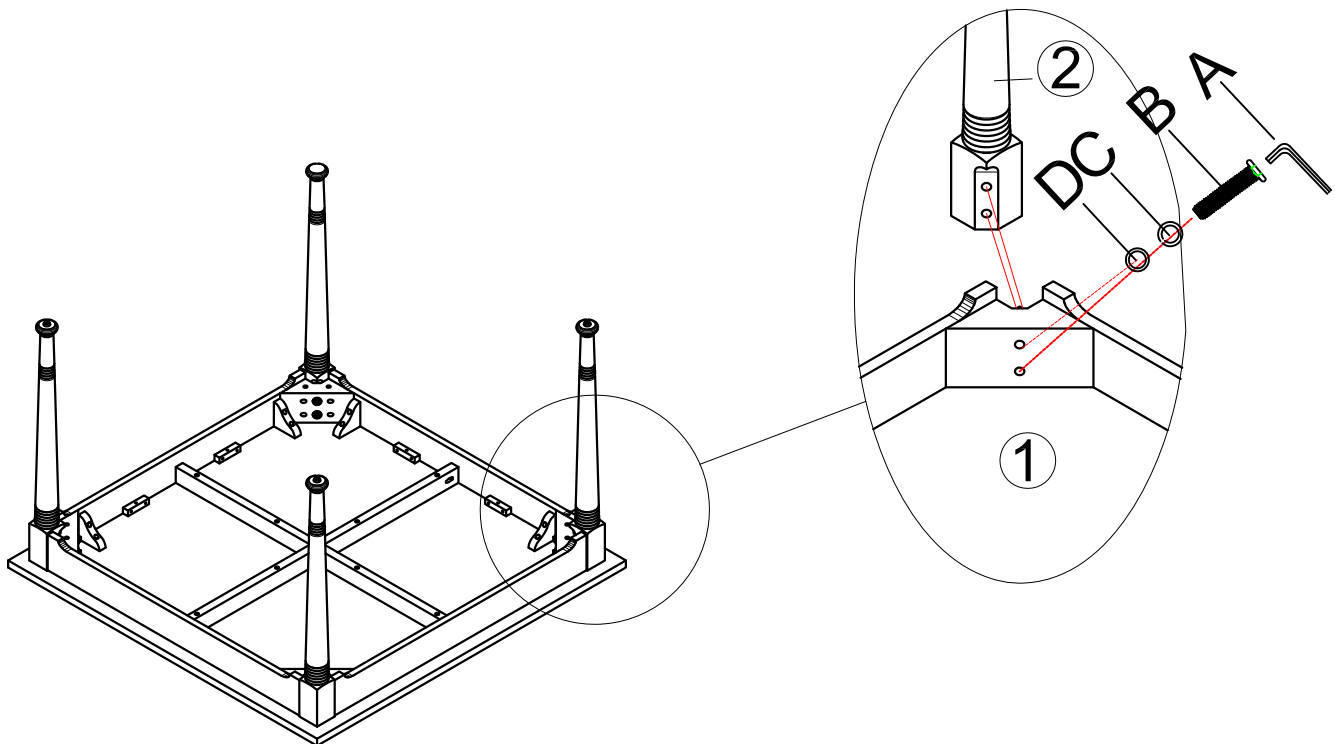
Read all instruction and study the drawing carefully before starting the assembly process.

HARDWARE PACK

NO.	DRAWING	DESCRIPTION	SIZE	Q'TY
A		Allen Wrench	5mm	1pc
B		Bolt	5/16"	8pcs
C		Lock Washer	5/16"	8pcs
D		Flat Washer	5/16"	8pcs

PART LIST

NO.	DRAWING	DESCRIPTION	Q'TY
①		Table Top	1PC
②		Leg	4PCS



Step 1:

Attach legs (2) to table top (1) by using bolts (B), lock washers (C), flat washers (D), tighten with allen wrench (A) in clockwise direction.