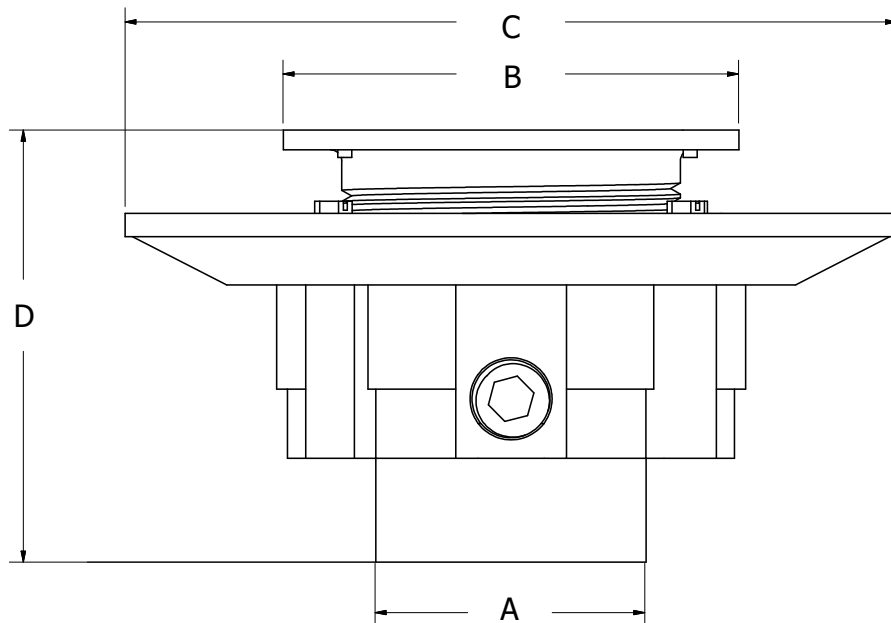


2" X 3" HEAVY DUTY PVC SHOWER DRAIN WITH 3-1/2" METAL SPUD AND 5" ROUND STRAINER



- Fits over 2" or inside 3" Schedule 40 DWV pipe
- Comes with round screw-in strainer
- Constructed of durable gray PVC
- Metal spud
- Reversible clamping ring for additional 1" height adjustment
- 8-1/2" pan primer tapped with 1/2" plug
- Extra weep holes



Part No.	Strainer Finish	A	B	C	D
D49055	Polished Brass	3.310" OD, 2.375" ID	5.19"	8.56"	4.12" - 5.31"
D49057	Nickel Bronze	3.310" OD, 2.375" ID	5.19"	8.56"	4.12" - 5.31"
D49059	Chrome Plated	3.310" OD, 2.375" ID	5.19"	8.56"	4.12" - 5.31"