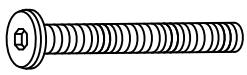


Ax8 


Ex8 

Bx4 





Fx1 

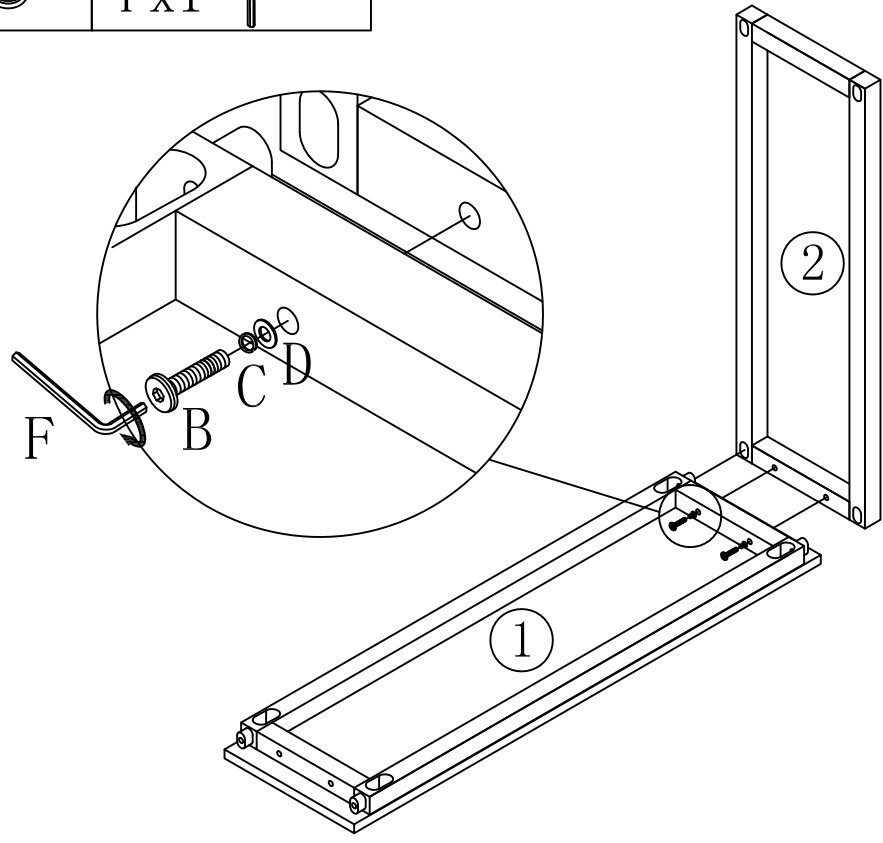
Cx12 

Gx4 





Dx12 

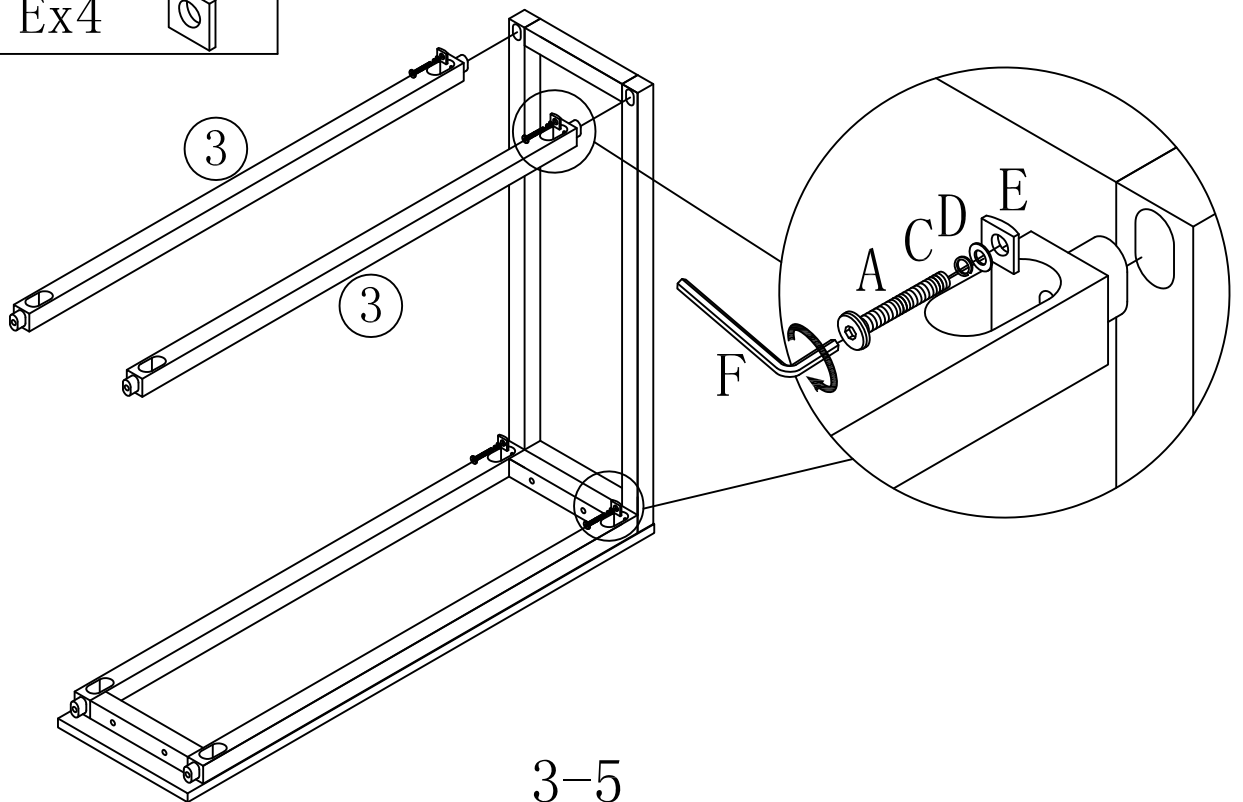
# 1

Bx2		Dx2	
Cx2		Fx1	








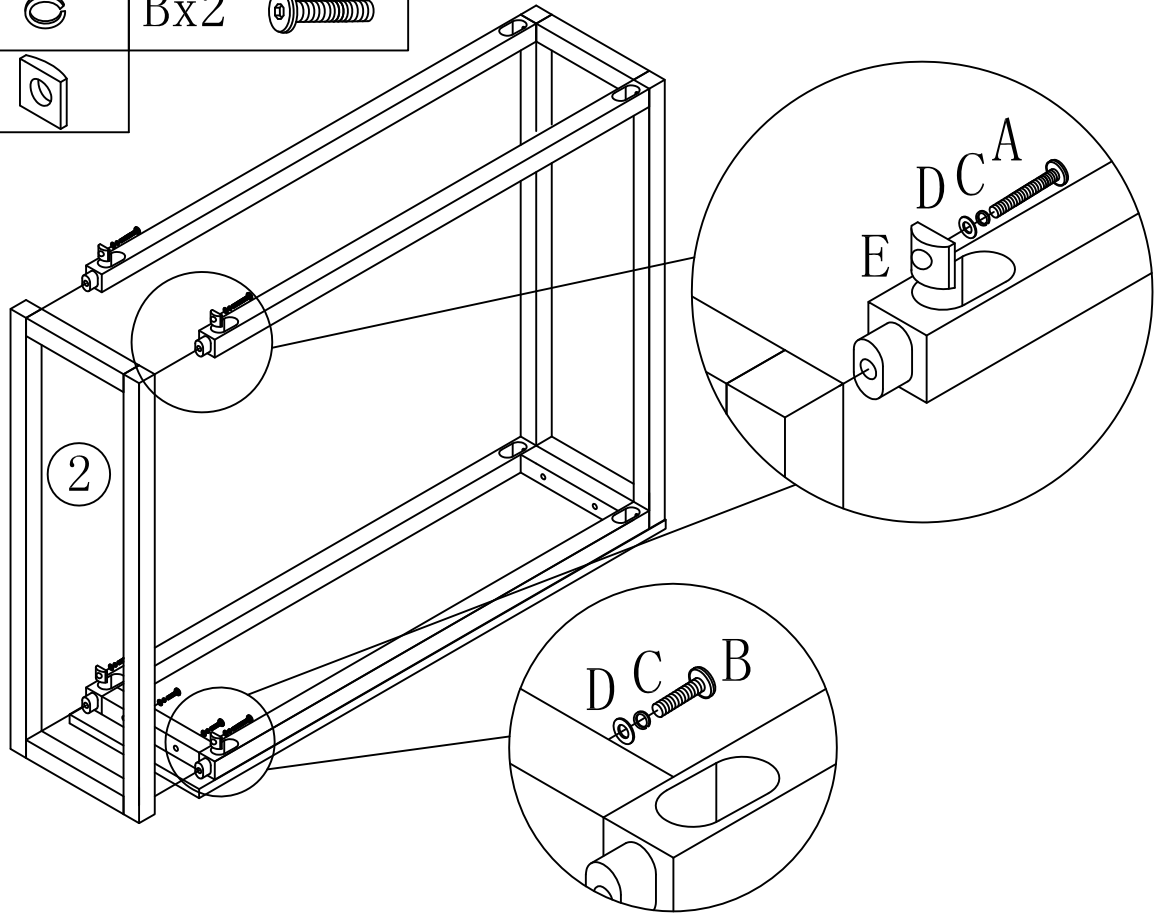
# 2

Ax4		Dx4	
Cx4			
Ex4			




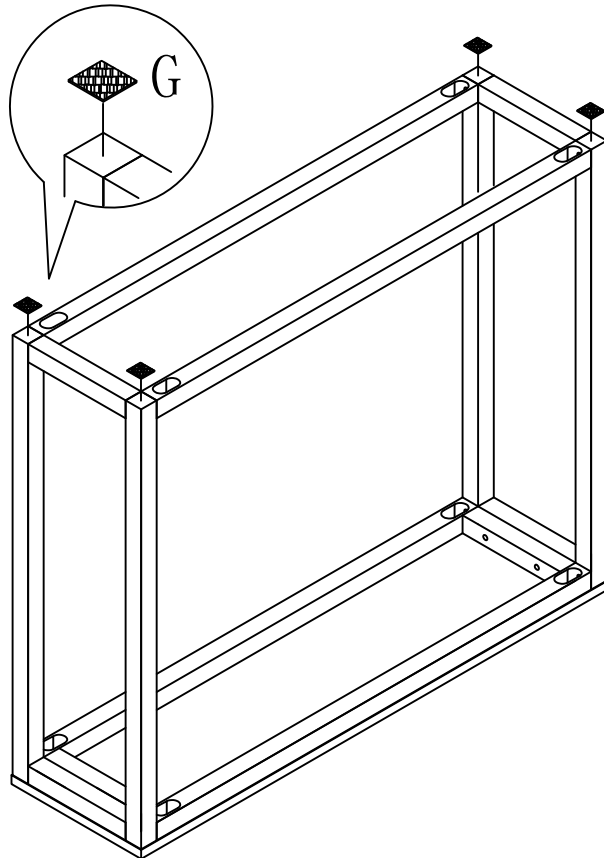
# 3

Ax4		Dx6	
Cx6		Bx2	
Ex4			



# 4

Gx4	
-----	---



5

