

ITEM# 11400

Empiria Mixed Metal and Wood Laptop Computer Desk

Leick
Home
SINCE 1910

2219 S. 19th St.

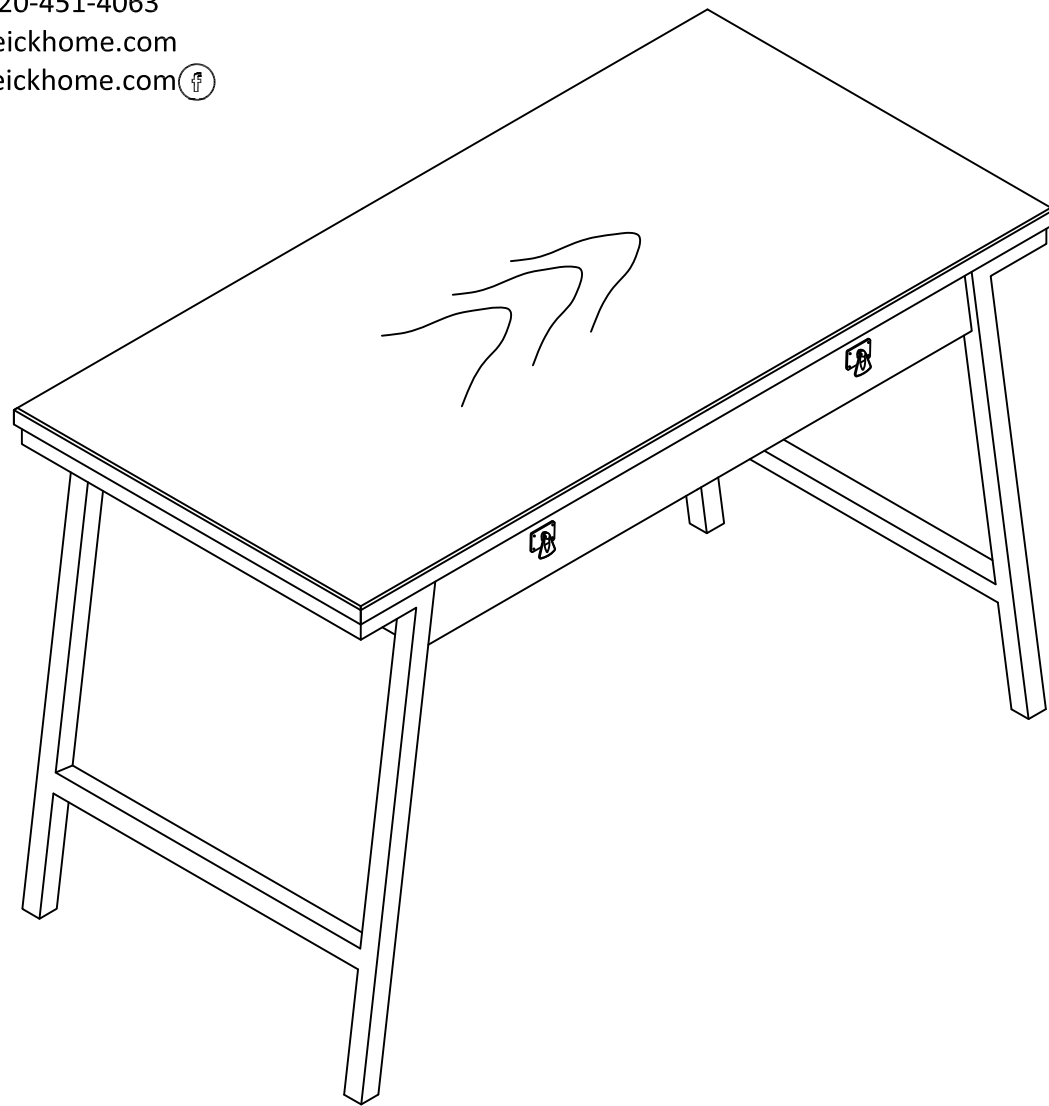
Sheboygan, WI 53081

Ph: 920-451-4060

Fax: 920-451-4063

info@leickhome.com

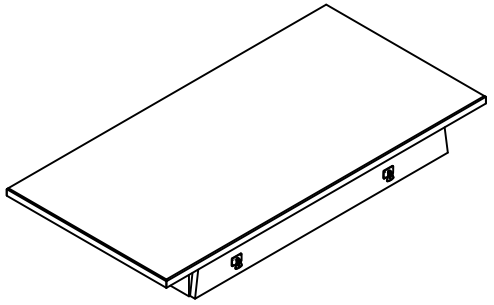
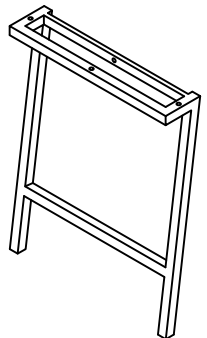
www.leickhome.com



Hardware List

Item	Illustration	Description	Quantity
1		Bolt 1/4" x 1-3/4"	8 PCS
2		Lock Washer	8 PCS
3		Washer 1/4" x 5/8"	8 PCS
4		Allen Wrench	1 PC
5		Anti- tipping Hardware	1 PC

Parts List

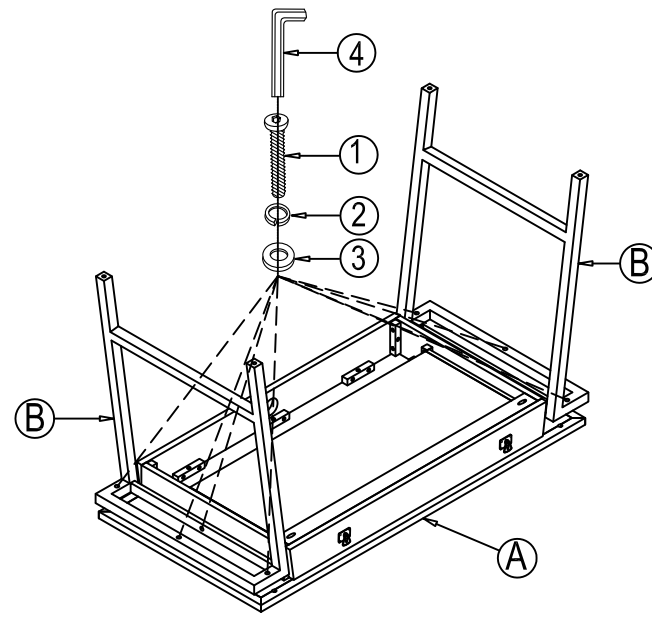
Item	Illustration	Description	Quantity
A		Top Assembly	1PC
B		Side Frame	2PCS

Assembly Instructions

Two person assembly recommended.

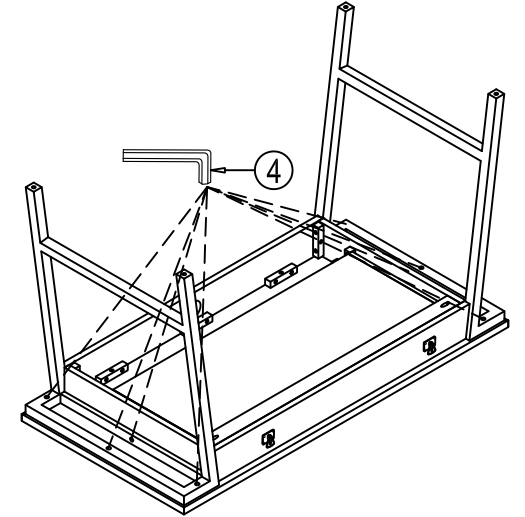
Step 1

Place top assembly upside down on a soft surface. Fasten the Side Frames with (8) bolts, flat washers and lock washers using the Allen wrench. Do not tighten yet.



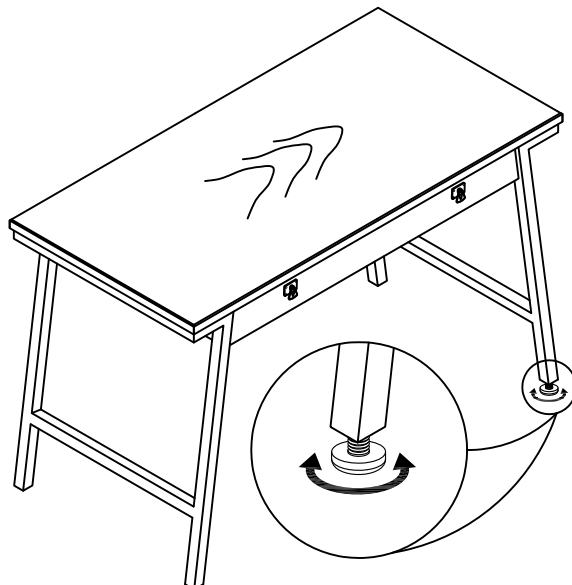
Step 2

Ensure they are properly aligned and tighten all bolts.



Step 3

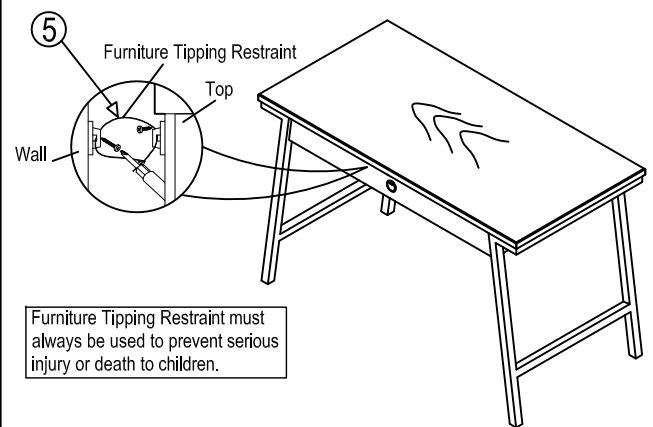
Adjust levelers on bottom of legs.



Step 4

Fasten the anti-tipping hardware with 2 screws on the back of desk and the other 2 screws onto the wall.

Note: This step only applies after running all the computer cables through the wire management hole and the black cover disc is already in place.



Furniture Tipping Restraint must always be used to prevent serious injury or death to children.

Wire management hole on back of desk: pull the disk out, run wires, and snap disk back in place.

