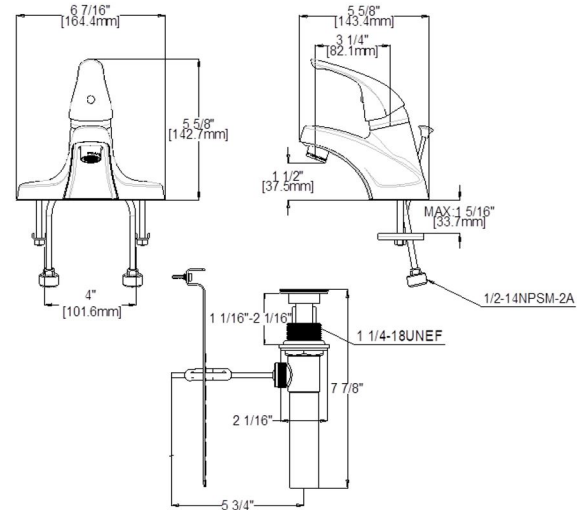


Middleton Single Handle Centerset Bathroom Faucet Satin Nickel



SPECIFICATIONS

| | | | |
|------------------------|---------------|-----------------------------|--------------------------|
| MATERIAL: | Zinc | FLOW RATE: | 1.2 GPM |
| HANDLE MATERIAL: | Zinc | LOW FLOW: | Yes |
| SPOUT MATERIAL: | Zinc | HANDLES - CONFIGURATION: | Single Handle |
| CARTRIDGE MATERIAL: | Washerless | HANDLE REACH: | 3.27" |
| WATERWAY MATERIAL: | Hybrid | SPRAYER INCLUDED: | No |
| DRAIN MATERIAL: | Brass | DIMENSIONS WITH DECK PLATE: | 6.5" L x 5.8" W x 5.5" D |
| FAUCET TYPE: | Lav Centerset | WEIGHT WITH DECK PLATE: | 2.33 lbs. |
| MOUNTING TYPE: | Deck Mount | DIMENSIONS W/O DECK PLATE: | 6.5" L x 5.8" W x 5.5" D |
| MOUNTING HOLES: | 3 | WEIGHT W/O DECK PLATE: | 2.33 lbs. |
| MAX DECK THICKNESS: | 1.3" | PVD FINISH: | Yes |
| DECK PLATE - INCLUDED: | N/A | | |
| SPOUT REACH: | 3.68" | | |
| SPOUT HEIGHT: | 1.6" | | |

| | |
|-------------------------|-------------------------|
| WARRANTY: | 5-Year limited warranty |
| UPC CERTIFICATION NAME: | cUPC |
| ANSI CERTIFICATION: | NSF/ANSI 372 |
| WATERSENSE: | Yes |
| ASME: | No |
| AB-1953 LEAD FREE: | Yes |
| ADA COMPLIANT: | Yes |



TYPE:
JOB:
ORDER CODE:
APPROVALS: