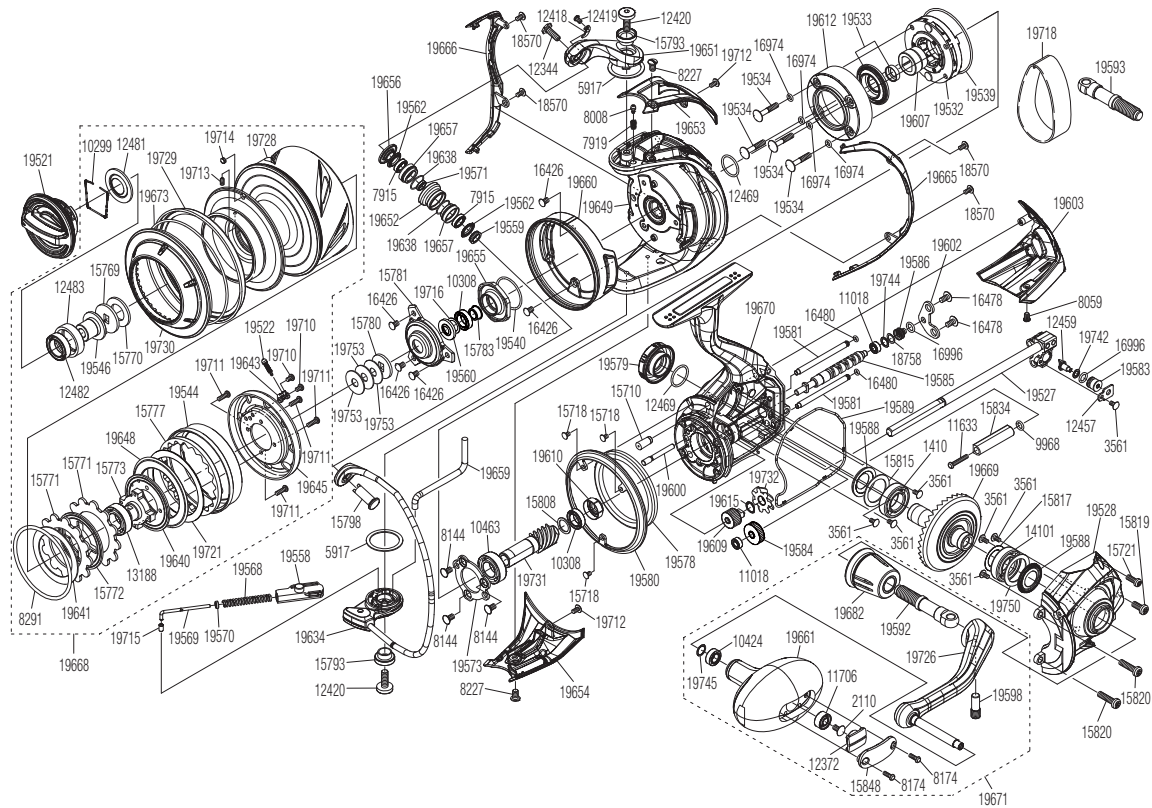


SHIMANO

STELLA **S**A-RB

STL-SW14000XG



Please note that the number of adjusting washers may not always be the same as shown in the exploded views.

(51SF24U143X)

Please note that your actions take full responsibility when you take it apart.

Part No.	Description	Part No.	Description	Part No.	Description
RD 2110	Screw	RD16426	Screw	RD19645	Heat Sink
RD 3561	Screw	RD16478	Screw	RD19648	Spool Bearing Water Proof
RD 5917	Washer	RD16480	O Ring	RD19649	Rotor
RD 7915	Ball Bearing	RD16974	O Ring	RD19651	Bail Arm
RD 7919	Click Spring	RD16996	Screw	RD19652	Line Roller
RD 8008	Click Pin	RD18570	Screw	RD19653	Bail Spring Cover
RD 8059	Screw	RD18758	Washer	RD19654	Bail Hold Support Guard
RD 8144	Screw	RD19521	Drag Knob Assembly	RD19655	Rotor Nut
RD 8174	Screw	RD19522	Drag Click Assembly	RD19656	Line Roller Plate
RD 8227	Screw	RD19527	Main Shaft Assembly	RD19657	Bushing
RD 8291	O Ring	RD19528	Side Cover Assembly	RD19659	Bail Trip Lever
RD 9968	O Ring	RD19532	Roller Clutch Assembly	RD19660	Rotor Brim
RD10299	Retainer	RD19533	Roller Clutch Waterproof Assembly	RD19661	Handle Knob
RD10308	Ball Bearing	RD19534	Screw	RD19665	Rotor Guard A
RD10424	Ball Bearing	RD19539	O Ring	RD19666	Rotor Guard B
RD10463	Ball Bearing	RD19540	O Ring	RD19668	Spool Assembly
RD11018	Ball Bearing	RD19544	Drag Cover	RD19669	Drive Gear Assembly
RD11633	Screw	RD19546	Bearing Support	RD19670	Body Assembly
RD11706	Ball Bearing	RD19558	Bail Spring Guide B	RD19671	Handle Assembly
RD12344	Screw	RD19559	Collar	RD19673	O Ring
RD12372	Handle Knob Seal	RD19560	Bearing Water Proof	RD19682	Handle Shaft Cover Assembly
RD12418	Retainer	RD19562	Line Roller Seal	RD19710	Screw
RD12419	Screw	RD19568	Bail Spring	RD19711	Screw
RD12420	Screw	RD19569	Bail Spring Guide A	RD19712	Screw
RD12457	Oscillating Pawl Cover	RD19570	Spring Guide A Support Collar	RD19713	Set screw
RD12459	Oscillating Pawl	RD19571	Collar	RD19714	Spool Ring Pin
RD12469	O Ring	RD19573	Bearing Retainer	RD19715	Bail Spring Guide A Bush
RD12481	Waterproof Sheet	RD19578	Friction Ring	RD19716	Washer
RD12482	Ball Bearing	RD19579	Handle Screw Cap	RD19721	Washer
RD12483	Bearing Bushing	RD19580	Body Flange Ring	RD19726	Handle Shank Assembly
RD13188	Ball Bearing	RD19581	Oscillating Guide	RD19728	Spool Shell
RD14101	Ball Bearing	RD19583	Oscillating Slider Bushing	RD19729	Spool Ring
RD15710	Body Flange Seal	RD19584	Idle Gear	RD19730	Collar
RD15718	Screw	RD19585	Worm Shaft	RD19731	Pinion Gear
RD15721	Screw	RD19586	Bushing	RD19732	Idle Gear (Large)
RD15769	Key Washer	RD19588	Bearing Water Proof	RD19742	Washer
RD15770	Drag Washer A	RD19589	Body Seal	RD19744	Washer
RD15771	Drag Washer B	RD19592	Handle Shaft	RD19745	Washer
RD15772	Drag Disk A	RD19598	Screw	RD19750	Washer
RD15773	Bearing Bushing	RD19600	Idle Gear Shaft	RD19753	Spool Washer
RD15777	Drag Click Ratchet	RD19602	Worm Shaft Retainer		
RD15780	Spool Support	RD19603	Rear Protector		
RD15781	Retainer	RD19607	Roller Clutch Inner		
RD15783	Spacer	RD19609	Idle Gear (Small)		
RD15793	Collar	RD19610	Bushing		
RD15798	Line Roller Support	RD19612	Clutch Water Proof Cover		
RD15808	Washer	RD19615	Washer		
RD15817	Washer	RD19634	Bail Assembly		
RD15819	Screw	RD19638	O Ring		
RD15820	Screw	RD19640	Drag Disk B		
RD15834	Collar	RD19641	Drag Washer C	RD19718	Belt (M) (accessory)
RD15848	Handle Knob ID Plate	RD19643	Spring Holder	RD19593	Handle Shaft (Right) (accessory)