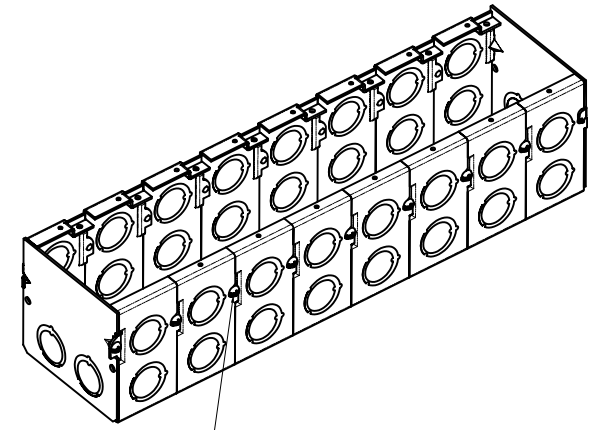
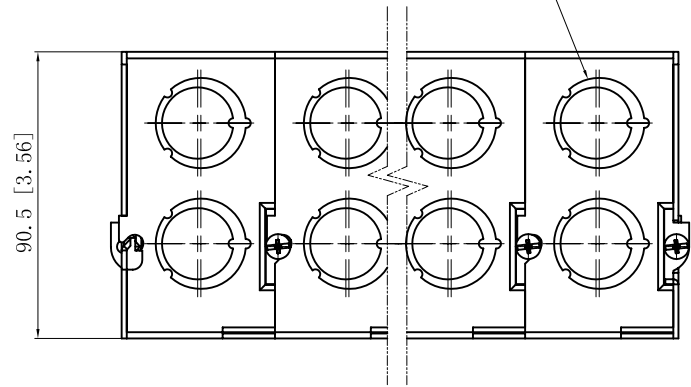


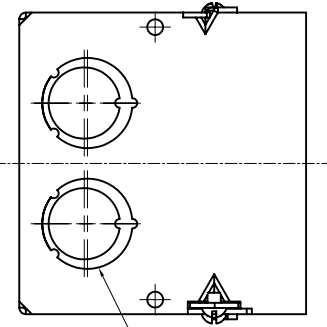
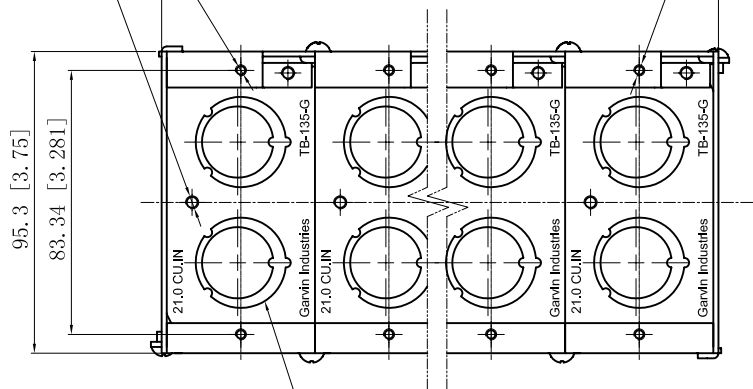
SIDES	BOTTOM
36 1/2"-3/4" MOON KNOCKOUTS	16 1/2"-3/4" MOON KNOCKOUTS
2 PCS 8-32x1/4 Screws Installed	
Material: Steel-0.0625"-G60 Galvanized	

32 1/2-3/4 MOON KNOCKOUTS $\phi=22.5 [\phi=0.89]$
 $\phi=28.5 [\phi=1.12]$ MIRROR



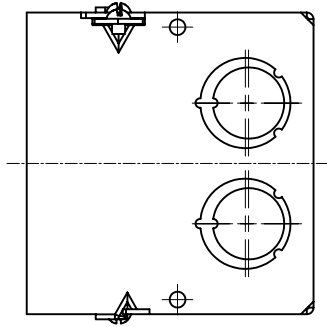
#8-32, x 16

16-#6-32 UNC HOLE
8-#10-32 UNF HOLE
377.2 [14.85]
8-#10-32 UNF HOLE



4 1/2-3/4 MOON KNOCKOUTS $\phi=22.5 [\phi=0.89]$
 $\phi=28.5 [\phi=1.12]$ MIRROR

16 1/2-3/4 MOON KNOCKOUTS $\phi=22.5 [\phi=0.89]$
 $\phi=28.5 [\phi=1.12]$



DESCRIPTION
TRADE REFERENCE TERMS

This data sheet is for reference only .GARVIN INDUSTRIES reserves the right to make changes to the design without prior notice.

STANDARD PACKING	TITLE		
	GANGABLE MASONRY BOX 3-1/2" DEEP		
1 PCS	SIZE	DWG NO.	REV
	A4	TB-835-G	B
DATA SHEET			