

Saramonic

Sound.Remarkable. 

2.4GHz Dual Wireless
Lavalier Microphone System

2.4GHz双领夹式无线麦克风

SR-WM2100

User Manual
用户手册



Thank you for choosing Saramonic!

The Saramonic SR-WM2100 is a compact and portable 2.4GHz dual wireless lavalier microphone system. Designed for DSLR, Mirrorless and video cameras, as well as smartphones and tablets it is ideal for broadcast TV, electronic news gathering (ENG), interviews and content creation of all kinds. It features an operating range of up to 70m in open areas.

Statement

Please read this manual carefully before using and strictly operate and store in accordance with the instructions. Please save the manual for your future reference.

If the user manual can not help you to solve certain problems, please consult with your retailer for help or email us: info@Saramonic.com.

Available Kits

Model	In the box
SR-WM2100 U1	1×SR-WM2100 TX 1×SR-WM2100 RXU (USB-A adapter included)
SR-WM2100 U2	2×SR-WM2100 TX 1×SR-WM2100 RXU (USB-A adapter included)
SR-WM2100X	2×SR-WM2100 TX 1×SR-WM2100 RX 1×SR-WM2100 RXU (USB-A adapter included)

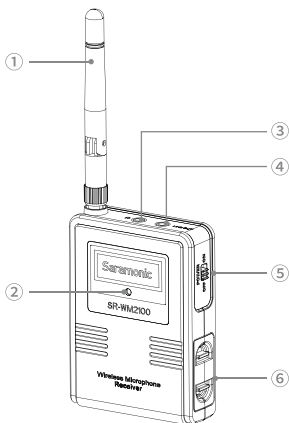
Portable Receiver (SR-WM2100 RX)

Introduction

The SR-WM2100 RX is a camera-mountable wireless receiver. It features level control, headphone monitoring, automatic pairing with transmitters, and two output cables, TRS for cameras and TRRS for mobile devices.

Equipped with an auto-scan function, the RX automatically selects an available transmission frequency with the best signal.

Product Structure



① Antenna

Screw clockwise to install.

Screw counter clock wise to dismantle.

Adjust the antenna accordingly to get the best sound reception.

Please do not touch the antenna during recording to avoid interfering with the signal.

② LED Indicator

Mode	Indicator Status
Unpaired	Flashing blue light
Paired successfully	Solid blue light
Low battery level	Flashing red light

③ Headphone jack

3.5mm stereo mini headphone output.
Connect headphones to monitor the wireless system's audio.

④ Line out jack

1-Connect the RX receiver to a camera, recorder or mixer with the supplied 3.5mm TRS output cable. 2-Connect the RX receiver to a smartphone, tablet or computer with the supplied 3.5mm TRS to TRRS (CTIA standard) output cable.

⑤ Power button (OFF/ON Switch)

Slide the power button to ON, turn on the RX receiver.
Slide the power button to OFF, turn off the RX receiver.

⑥ Battery compartment

Operates on two AA batteries (not included).

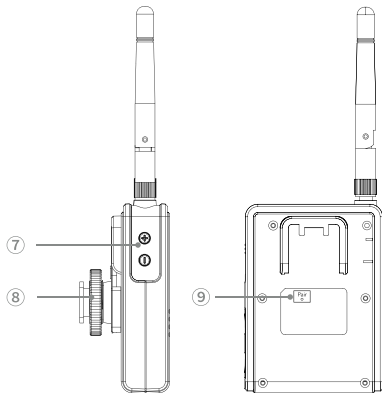
⑦ + or - button

Audio output level controls.

The setting is retained even after the power is turned off.

⑧ Standard cold shoe mount

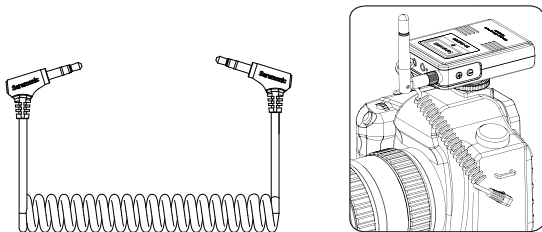
⑨ Pairing pinhole



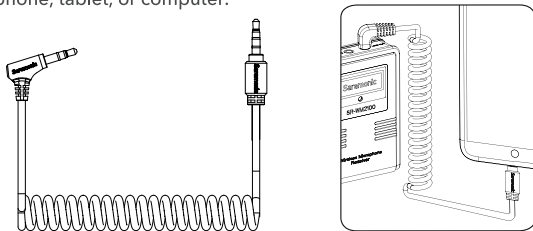
Accessories installation operation

①. Connect the supplied cable to the line output jack

When connecting to a camera, recorder or mixer, please use the 3.5mm TRS to TRS output cable. Plug one end into the line output jack of the receiver and plug the other end into the mic input jack of the camera, recorder, or mixer.

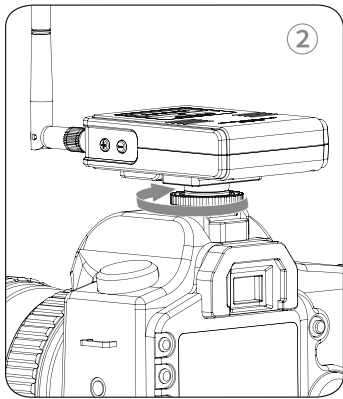
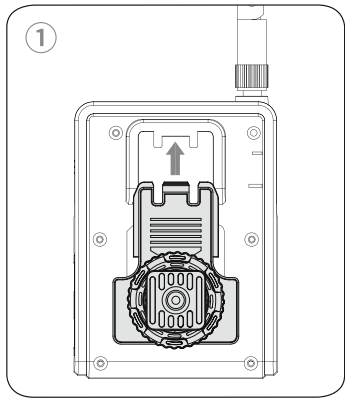


When connecting to a smartphone, tablet or computer, please use the 3.5mm TRS to TRRS (CTIA standard) output cable. Plug the 90 degree right angle TRS into the line output jack of the receiver and plug the straight TRRS end into the 3.5mm headphone jack of a smartphone, tablet, or computer.



②. Attach the shoe-mount adapter

Attach the shoe-mount adapter to the receiver, and secure it on your camera's shoe-mount or rig.

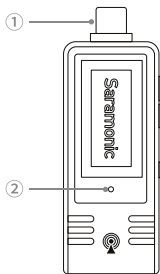


Portable Receiver (SR-WM2100 RXU)

Introduction

SR-WM2100 RXU is a wireless receiver with a USB-C output connector. It features a dedicated headphone output to monitor audio real-time sound. The M/S switch allows you to select either mono or stereo output to your device. Also included is a USB-C to USB-A adapter, making the SR- WM2100 RXU compatible with Android Smartphones or Tablets and most Computers.

Product Structure



① Type-C Connector

Suitable for USB-C devices (equipped with a USB-C to USB-A adapter, also compatible with USB-A devices).

② LED Indicator

Mode	Indicator Status
Unpaired	Flashing blue light
Paired successfully	Solid blue light

Note: Please make sure that the receiver is fully plugged into your device before checking the indicator status.

③ + or - button (Pair button)

Audio output level controls.

(The setting is retained even after the power is turned off.)

Press the Pair button (press the + button and - button at the same time) to enter pairing mode.

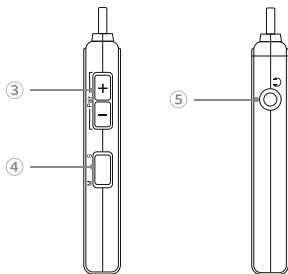
④ M/S Switch

The output mode can be set to either mono or stereo.

⑤ Headphone Output

3.5mm stereo headphone output.

Connect headphones to monitor the wireless system's audio output.

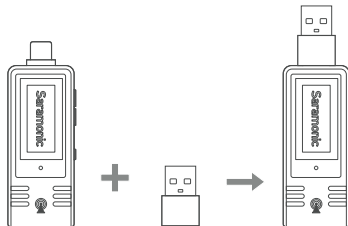


Accessories installation operation

① Connect to a USB-C device

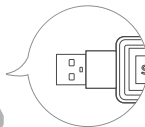


② Connect to a USB-A device



① Connect the USB-A adapter to the SR-WM2100 RXU Type-C connector as shown.

② Connect the SR-WM2100 RXU to a computer as shown.

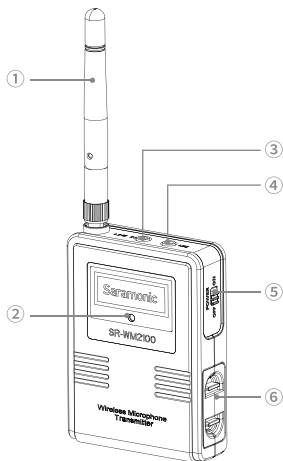


Bodypack launcher (SR-WM2100 TX)

Introduction

The SR-WM2100 TX is a compact wireless belt pack transmitter that features dedicated 3.5mm Microphone and Line-Level input connectors, an adjustable antenna for best possible wireless transmission and easy pairing with receiver.

Product Structure



① Antenna

Screw clockwise to install.

Screw counter clock wise to dismantle.

Adjust the antenna accordingly to get the best sound transmission.

Please do not touch the antenna during recording to avoid interfering with the signal.

② LED Indicator

Mode	Indicator Status
Unpaired	Flashing blue light
Paired successfully	Solid blue light
Low battery level	Flashing red light

③ **Line-Level Input**

Connect to line-level output of audio devices.

④ **Microphone Input**

Connect to the supplied 3.5mm lavalier microphone.

⑤ **Power Button (OFF/ON switch)**

Slide the power button to ON, turn on the RX receiver.

Slide the power button to OFF, turn off the RX receiver.

⑥ **Battery compartment**

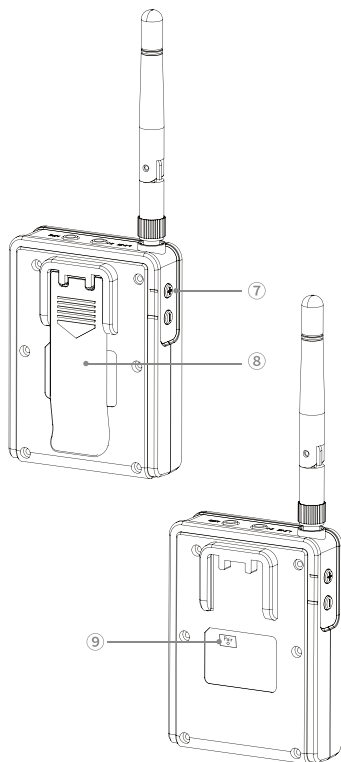
Operates on two AA batteries (not included).

⑦ **+ or - button**

Microphone and Line-Level input level control.
The setting is retained even after the power is turned off.

⑧ **Belt clip**

⑨ **Pairing pinhole**



Accessories installation operation

1. Connect microphone

Connect the supplied 3.5mm lavalier microphone into the microphone input or connect an audio device's line-level output into the 3.5mm line-level input of transmitter.

2. Clip the transmitter on your belt, or put it in your pocket.

Battery Installation

SR-WM2100 TX and SR-WM2100 RX both need two AA size batteries.

- Press the two catches inward and pull out the battery compartment.
- Insert two AA size batteries according to the polarity indicators and close the compartment.
- Please make sure the battery compartment is locked securely.



Cautions on battery use.

Please make sure to follow the several points when install batteries:

- Make sure the batteries are inserted correctly according to the polarity indicators.
- It is suggested to replace both batteries at the same time.
- Please do not use two batteries from different brands together as a combination.
- Remove the batteries from the battery compartment when the device is not used for an extended period of time.

Operation Guide

Operation Guide For SR-WM2100 & SR-WM2100X

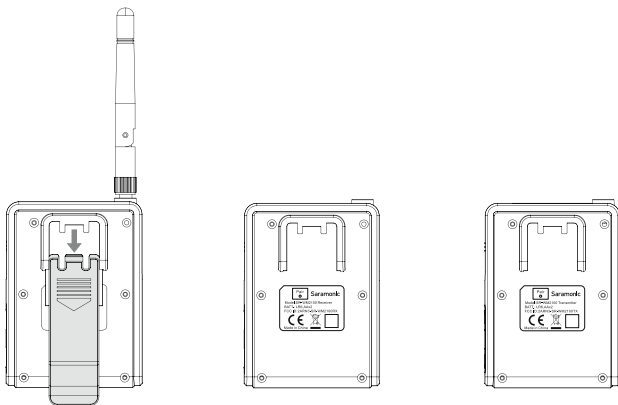
1. Slide the power button to ON, turn on both the transmitter and receiver.

2. Transmitter and Receiver pairing.

Before leaving factory, the system has been paired successfully.

If they are disconnected or unpaired, please see below for pairing instructions:

- Pull off the belt clip, as image below illustrates, and you will notice the pairing pinhole on both transmitter and receiver.
- Using the supplied pairing pin, insert into the small pinhole on both receiver and then transmitter(s) in quick succession. When pairing is successful, the indicators turn solid blue.



3. Connect the receiver to the mic input of a camera, mixer or recorder with the TRS to TRS cable, or the headphone port on a smartphone, tablet or computer with the TRS to TRRS cable.

4. Plug headphones into the receiver to monitor the recording audio if your camera or device lacks a headphone output.

5. You are ready to record.

Note: Due to 2.4GHz wireless frequency, signal can be easily attenuated. Please try to avoid obstacles, such as walls and buildings, and avoid close proximity to devices with 2.4GHz signal, such as high-power wifi antennas, smartphones with wifi in use, radios, etc.

Operation Guide For SR-WM2100 U1, SR-WM2100 U2 & SR-WM2100X

1. Slide the power button to ON, turn on the transmitter.

2. Plug the RXU into an USB-A / Type-C device.

3. Transmitter and Receiver pairing

Before leaving factory, the system has been paired successfully. If they are disconnected or unpaired, please see below for pairing instructions:

- Pull off the belt clip, as shown in the picture of Page 12, and you will notice the pairing pinhole on the transmitter.
- Using the supplied pairing pin, insert into the small pinhole on the transmitter. When the transmitter indicator flashes rapidly, press the RXU Pair button (press the + button and - button at the same time) to enter pairing mode. When pairing is successful, the indicators turn solid blue.

4. Plug headphones into the receiver to monitor the recording audio.

5. You are ready to record.

Specification

SR-WM2100 TX

Transmission Type	2.4GHz Digital Frequency
Modulation	GFSK
Operating Range	70m (without obstacle)
RF Output Power	10mW
Polar Pattern of Lavalier Microphone	Omnidirectional
Frequency Response	50Hz-18kHz
Maximum SPL	Lavalier Microphone: 110dB SPL
Sensitivity	Lavalier Microphone: -30dB
Signal-to-Noise Ratio	> 78dB
Power Requirements	Two AA Batteries
Antenna	Detachable Antenna
Audio Inputs	3.5mm TRS Microphone input, 3.5mm TRS Line-Level Input
Weight	68g (2.40 oz) (without battery)
Dimensions	62.5×85.7×26.4mm
Operating Temperature	0°C to 50°C
Storage Temperature	-20°C to +55°C

SR-WM2100 RX

Transmission Type	2.4GHz Digital Frequency
Modulation	GFSK
Operating Range	70m (without obstacle)
Audio Output Connector	3.5mm jack
Audio Output Level	-60 dBV
Power Requirements	Two AA Batteries
Antenna	Detachable Antenna
Weight	68.5g (2.42 oz) (without battery)
Dimensions	62.5×85.7×26.4mm
Operating Temperature	0°C to 50°C
Storage Temperature	-20°C to +55°C

SR-WM2100 RXU

Transmission Type	2.4GHz Digital Frequency
Modulation	GFSK
Operating Range	70m (without obstacle)
Audio Output Connector	Type-C Connector
Audio Output Level	-60 dBV
Power Requirements	Supplied by USB-C Devices
Other Functions	3.5mm Headphone Out, Mono/Stereo switch
Antenna	PIFA antenna
Weight	13.5g (0.48 oz)
Dimensions	71.5×26×10mm
Operating Temperature	0°C to 50°C
Storage Temperature	-20°C to +55°C

Packing List

SR-WM2100 U1

SR-WM2100 TX -----	x1	Antenna -----	x1
SR-WM2100 RXU -----	x1	Belt clip -----	x1
Type-C to USB-A adapter -----	x1	Foam windscreen -----	x1
Omnidirectional lavalier microphone -----	x1	Pairing pin -----	x1
Microphone clip -----	x1	Warranty Card -----	x1
		User Manual -----	x1

SR-WM2100 U2

SR-WM2100 TX -----	x2	Antenna -----	x2
SR-WM2100 RXU -----	x1	Belt clip -----	x2
Type-C to USB-A adapter -----	x1	Foam windscreen -----	x2
Omnidirectional lavalier microphone -----	x2	Pairing pin -----	x1
Microphone clip -----	x2	Warranty Card -----	x1
		User Manual -----	x1

SR-WM2100X

SR-WM2100 TX -----	x2	Foam windscreen -----	x2
SR-WM2100 RX -----	x1	3.5mm TRS audio output cable -----	x1
SR-WM2100 RXU -----	x1	3.5mm TRS to TRRS audio output cable -----	x1
Type-C to USB-A adapter -----	x1	Pairing pin -----	x1
Omnidirectional lavalier microphone -----	x2	Cold shoe mount -----	x1
Microphone clip -----	x2	Warranty Card -----	x1
Antenna -----	x2	User Manual -----	x1
Belt clip -----	x3		

感谢您选择枫笛!

枫笛SR-WM2100是一款小巧便携的双通道无线麦克风系统，在2.4GHz频谱下运行。适用于单反，无反相机和摄像机，以及智能手机和平板电脑，应用于电视广播，电子新闻采集，现场采访等。无障碍操作距离可达70米。

声明

使用前请仔细阅读本说明书，并严格按照说明书操作和储存。请把它存放好，以备将来使用时参考。

如果使用手册不能帮助您解决某些问题，请向您的零售商寻求帮助或发邮件给我们: info@Saramonic.com。

SR-WM2100组合套装

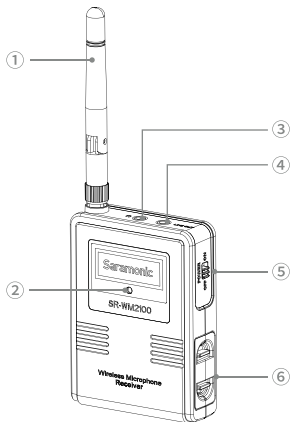
型号	套装内容
SR-WM2100 U1	1 × SR-WM2100 TX 1 × SR-WM2100 RXU (包含USB-A适配器)
SR-WM2100 U2	2 × SR-WM2100 TX 1 × SR-WM2100 RXU (包含USB-A适配器)
SR-WM2100X	2 × SR-WM2100 TX 1 × SR-WM2100 RX 1 × SR-WM2100 RXU (包含USB-A适配器)

便携式接收器 (SR-WM2100 RX)

简介

SR-WM2100 RX是一款可安装在摄像机上的无线接收器。它具有输出音量调控, 耳机监听, 自动配对功能; 配两条输出音频线, TRS输出线适用于单反、摄像机、录音笔以及其他带3.5mm TRS插孔的设备, TRRS输出线适用于手机、笔记本、平板以及其他带3.5mm TRRS插孔的设备。

产品结构



① 天线

安装: 顺时针拧紧。

拆卸: 逆时针旋转。

适当调整天线角度以获得最好的声音接收效果。

注意: 在录制过程中请勿触摸天线, 以免干扰信号。

② LED指示灯

模式	指示灯状态
未联机	蓝灯闪烁
联机成功	蓝灯常亮
低电量	红灯闪烁

③ 3.5mm耳机监听孔

插入耳机进行监听。

④ 音频输出孔

连接方法1: 用配备的3.5mm TRS 输出线, 连接至相机、混音器等带3.5mm TRS插孔的设备。

连接方法2: 用配备的3.5mm TRS 转 TRRS (CTIA标准) 输出线, 连接至手机或平板电脑等带3.5mm TRRS插孔的设备。

⑤ 电源按钮(OFF/ON 开关)

将电源开关拨动到ON位置, 启动接收器。

将电源开关拨动到OFF位置, 关闭接收器。

⑥ 电池仓

请放入两节五号电池(不包括在内)。

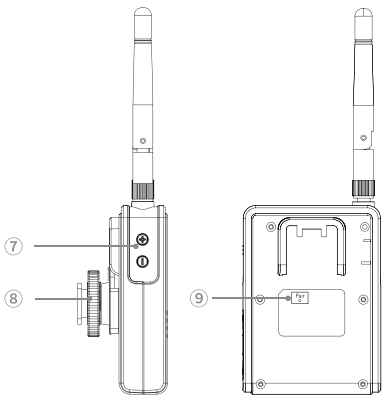
⑦ +/- 按键

输出音量调节按钮。

即使在电源关闭后, 该参数设定仍然保留。

⑧ 标准冷靴座

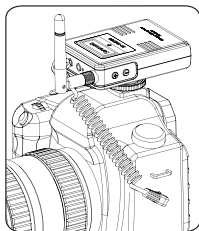
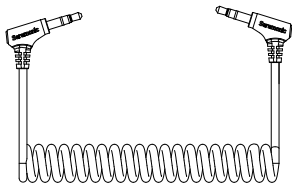
⑨ 对码孔



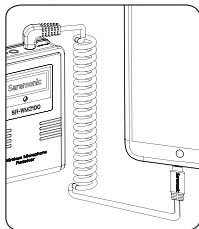
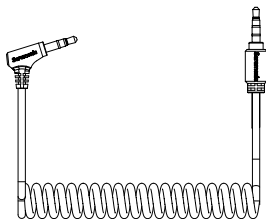
配件安装指南

1. 将配备的转接线连接到音频输出孔

连接单反、微单（要求相机有内置3.5mm麦克风输入孔）、摄像机、录音机或混音器时，请使用3.5mm TRS音频输出线。将线的一端插入接收器音频输出孔，另一端插入设备的麦克风输入孔。

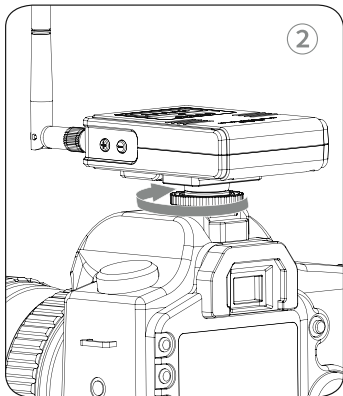
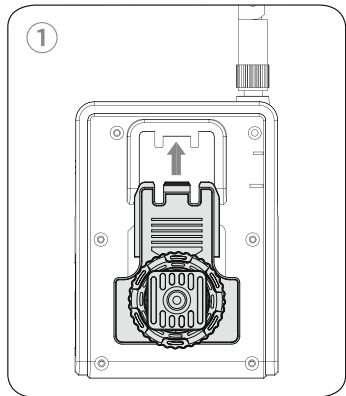


连接智能手机或平板电脑时，请使用3.5mm TRS 转 TRRS (CTIA标准)音频输出线。将TRS端插入接收器音频输出孔，将TRRS端插入智能手机或平板电脑的3.5mm耳机孔。



2. 冷靴座卡板安装步骤

将冷靴座卡板安装至接收器上，并将其固定在相机的热靴座或支架上。

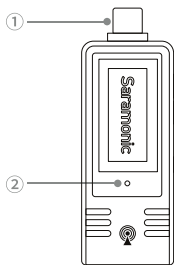


便携式接收器（SR-WM2100 RXU）

简介

SR-WM2100 RXU是一款带有USB-C输出接口的无线接收器。它具有专用的耳机插孔，具备实时监听功能；M/S开关可实现单声道或立体声输出的自由切换；产品配备了Type-C转USB-A适配器，适用于笔记本电脑及主流安卓手机。

产品结构



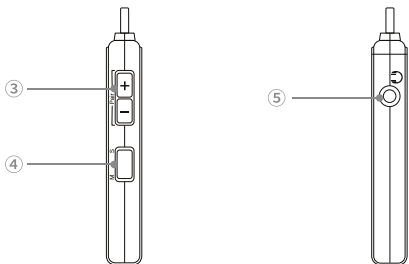
① Type-C 接口

适用于Type-C设备（配备了Type-C转USB-A适配器，因此也适用于USB-A设备）。

② LED指示灯

模式	指示灯状态
未联机	蓝灯闪烁
联机成功	蓝灯常亮

注意：如果您想查看指示灯状态，请确认接收器已完全接入设备。



③ +/-按键（配对按键）

音量调节按键。（即使在电源关闭后，该参数设定仍然保留。）
短按pair键（+/-键同时按），RXU进入对码状态。

④ 单声道/立体声切换键

输出模式可以设置成单声道或立体声。

⑤ 3.5mm耳机监听孔

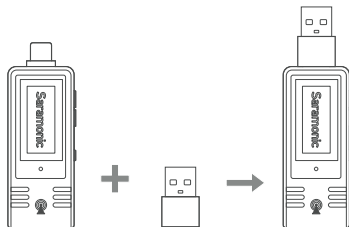
插入耳机进行监听。

配件安装操作

1. 连接USB-C设备



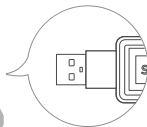
2. 连接USB-A设备



① 如图所示，将USB-A适配器接入设备SR-WM2100 RXU插口处。



② 如图所示，将设备SR-WM2100 RXU连接电脑。

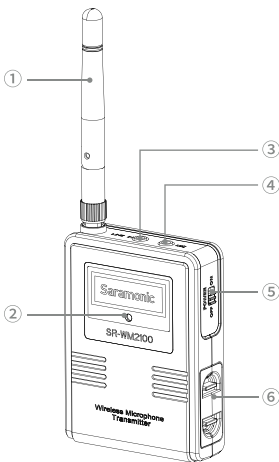


腰包发射器 (SR-WM2100 TX)

简介

SR-WM2100 TX是一款紧凑型无线发射机，具有麦克风和线路输入接口。配备的可折叠天线可实现发射器接收器自动配对，并获得最佳的无线传输效果。

产品结构



① 天线

安装：顺时针拧紧。

拆卸：逆时针旋转。

适当调整天线角度以获得最好的声音接收效果。

注意：在录制过程中请勿触摸天线，以免干扰信号。

② LED指示灯

模式	指示灯状态
未联机	蓝灯闪烁
联机成功	蓝灯常亮
低电量	红灯闪烁

③ 线性输入孔

通过音频线连接到音频设备。

④ 麦克风输入孔

接入配备的3.5mm领夹麦克风

⑤ 电源按钮 (OFF/ON 开关)

将电源开关拨动到ON位置，启动接收器。
将电源开关拨动到OFF位置，关闭接收器。

⑥ 电池仓

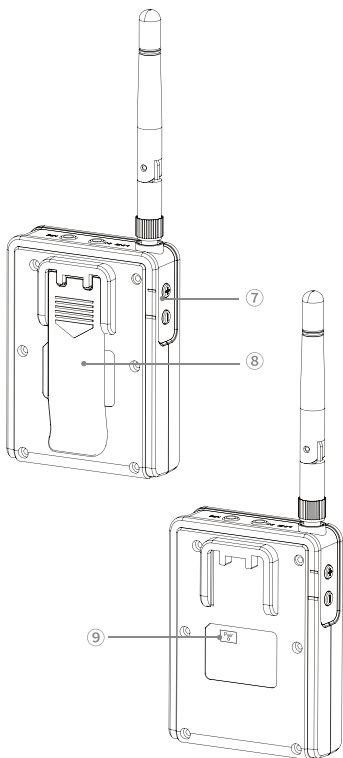
请放入两节五号电池(不包括在内)。

⑦ +或-按键

增益调节按钮。
即使在电源关闭后，该参数设定仍然保留。

⑧ 背夹

⑨ 对码孔



配件安装操作

1. 连接麦克风

将配备的3.5mm 领夹麦克风接入麦克风输入孔，或将音频设备的输出线连接到发射机的3.5mm线路输入孔。

2. 将发射器夹在腰带上，或放在口袋里。

电池安装

安装电池

发射机SR-WM2100 TX和接收器 SR-WM2100 RX都需要安装两节五号电池。

- 向内拨动电池仓开关，然后拉出电池仓。
- 按照正确极性指示放入电池，关闭电池仓。
- 请确认电池仓已关紧。



电池使用注意事项

安装电池时请确保遵循以下几点：

- 按极性指示正确插入电池。
- 建议两节电池同时更换。
- 请不要同时使用两个不同品牌的电池。
- 当设备长时间不使用时，请将电池从电池仓内取出。

操作指南

SR-WM2100/ SR-WM2100X套装操作指南

1. 将电源按钮拨动到ON位置，启动发射器和接收器。
2. 发射器和接收器配对。

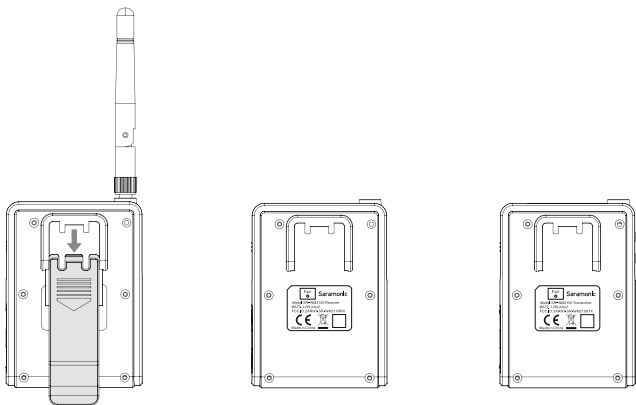
发射器和接收器在出厂默认设置是已配对成功，若无成功连接，请进行下一步配对操作：

如下图所示，推出背夹，您将注意到发射器和接收器上的对码孔。

使用配备的对码顶针，插入发射器和接收器对码孔内。当配对成功，指示灯呈蓝灯常亮。

3. 用配备的转接线将接收器连接至相机、摄像机、混音器、智能手机或平板电脑的麦克风输入孔。
4. 将耳机插入接收器监听孔以监听录音情况。（适用于没有耳机监听孔的设备）。
5. 可以开始录音。

注意：由于在2.4GHz频谱下，信号很容易受干扰，请尽量避开墙壁和建筑物等障碍物，避免接近2.4GHz频率的设备，如大功率WiFi天线、正在使用WiFi的智能手机、收音机等。



SR-WM2100 U1/SR-WM2100 U2/SR-WM2100X套装操作指南

- 1.将电源按钮拨动到ON位置，启动发射器。
- 2.将RXU接收器接入USB-A 或Type-C设备。
- 3.发射器和接收器配对

发射器和接收器在出厂默认设置是已配对成功，若无成功连接，请进行下一步配对操作：

如上图所示，推出背夹，您将注意到发射器和接收器上的对码孔。

使用配备的对码顶针，插入发射器对码孔内。在发射器指示灯快速闪烁期间，短按RXU pair键（+ -键同时按），发射器和接收器会在10秒内完成对码。当配对成功，指示灯呈蓝灯常亮。

- 4.将耳机插入接收器监听孔以监听录音情况。
5. 可以开始录音。

参数

SR-WM2100 TX

使用频段	2.4GHz 数字频段
信号调制	GFSK
操作范围	70米（无障碍）
RF 输出功率	10mW
领夹麦指向性	全向型
频率响应	50Hz-18kHz
最大 SPL	领夹麦克风: 110dB SPL
灵敏度	领夹麦克风: -30dB
信噪比	> 78dB
电源	两节五号电池
天线	可拆卸天线
音频输入源	3.5mm 麦克风输入, 3.5mm 线性输入
重量	68g（不含电池）
尺寸	62.5 × 85.7 × 26.4mm
工作温度	0° C ~ 50° C
贮存温度	- 20° C ~ +55° C

SR-WM2100 RX

使用频段	2.4GHz 数字频段
信号调制	GFSK
操作范围	70米（无障碍）
音频输出接口	3.5mm插孔
音频输出电平	-60 dBV
电源	两节五号电池
天线	可拆卸天线
重量	68.5g（不含电池）
尺寸	62.5 × 85.7 × 26.4mm
工作温度	0° C ~ 50° C
贮存温度	-20° C ~ +55° C

SR-WM2100 RXU

使用频段	2.4GHz 数字频段
信号调制	GFSK
操作范围	70米（无障碍）
音频输出接口	Type-C 接口
音频输出电平	-60 dBV
电源	Type-C设备供电
其他功能	3.5mm 耳机监听孔，单声道立体声切换键
天线	PIFA 天线
重量	13.5g
尺寸	71.5 × 26 × 10mm
工作温度	0° C ~ 50° C
贮存温度	-20° C ~ +55° C

包装清单

SR-WM2100 U1套装

腰包发射器 SR-WM2100 TX	-----	x1	天线	-----	x1
便携式接收器 SR-WM2100 RXU	-----	x1	背夹	-----	x1
Type-C转USB-A适配器	-----	x1	防风海棉	-----	x1
全向型领夹麦	-----	x1	顶针	-----	x1
麦克风夹子	-----	x1	保修卡	-----	x1
			用户手册	-----	x1

SR-WM2100 U2套装

腰包发射器 SR-WM2100 TX	-----	x2	天线	-----	x2
便携式接收器 SR-WM2100 RXU	-----	x1	背夹	-----	x2
Type-C转USB-A适配器	-----	x1	防风海棉	-----	x2
全向型领夹麦	-----	x2	顶针	-----	x1
麦克风夹子	-----	x2	保修卡	-----	x1
			用户手册	-----	x1

SR-WM2100X套装

腰包发射器 SR-WM2100 TX	-----	x2	防风海棉	-----	x2
便携式接收器 SR-WM2100 RX	-----	x1	3.5mm TRS音频输出线	-----	x1
便携式接收器 SR-WM2100 RXU	-----	x1	3.5mm TRS转TRRS音频输出线	---	x1
Type-C转USB-A适配器	-----	x1	顶针	-----	x1
全向型领夹麦	-----	x2	冷靴座	-----	x1
麦克风夹子	-----	x2	保修卡	-----	x1
天线	-----	x2	用户手册	-----	x1
背夹	-----	x3			



For better recording experience, the application **SmartRecorder** is recommended.
为获得更好的录制体验，推荐使用枫笛 Saramonic
自主研发应用软件 **SmartRecorder**。



Scan the QR code and follow us!
扫描微信关注枫笛公众号!

Shenzhen Jiayz Photo Industrial., Ltd
深圳市长丰影像器材有限公司

A16 Building, Intelligent Terminal Industrial Park of Silicon Valley
Power, Guanlan, Longhua District, Shenzhen, China
深圳市龙华区观澜街道大富工业区硅谷动力智能终端产业园A16栋

☎ 400-613-1096 🌐 www.saramonic.com ✉ info@saramonic.com