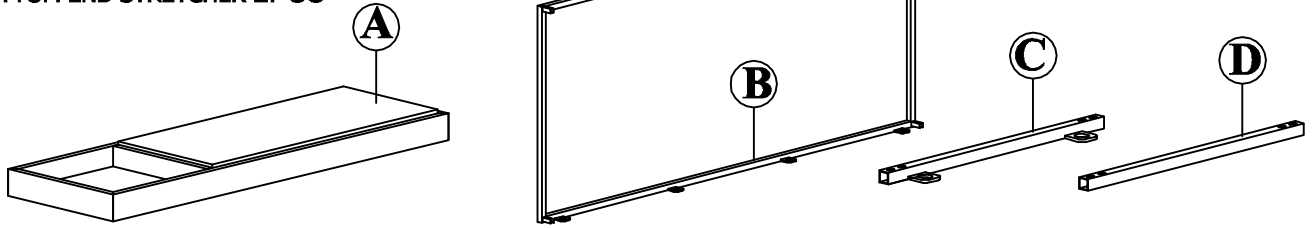


# ENNIS CONSOLE TABLE ASSEMBLY INSTRUCTIONS



## PARTS PACKING CONFIGURATIONS

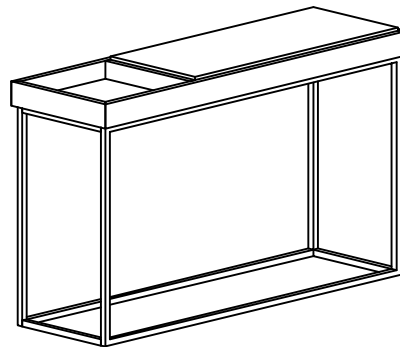
- A. TABLE TOP 1PC
- B. RECTANGULAR SIDE FRAME 2PCS
- C. TOP END STRETCHER 2PCS
- D. BOTTOM END STRETCHER 2PCS



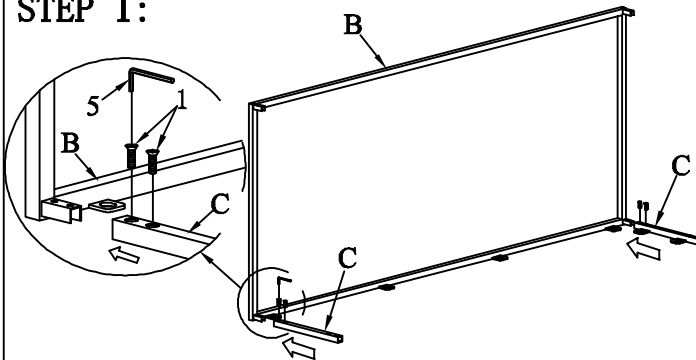
### HARDWARE PACKED IN BOX

No	Description	Photo	Quantity
1	ALLEN BOLT (1/4 X 5/8)		16PCS
2	ALLEN BOLT (1/4 X 3/4)		12PCS
3	LOCK WASHER (1/4)		12PCS
4	FLAT WASHER (1/4)		12PCS
5	ALLEN KEY		1PC

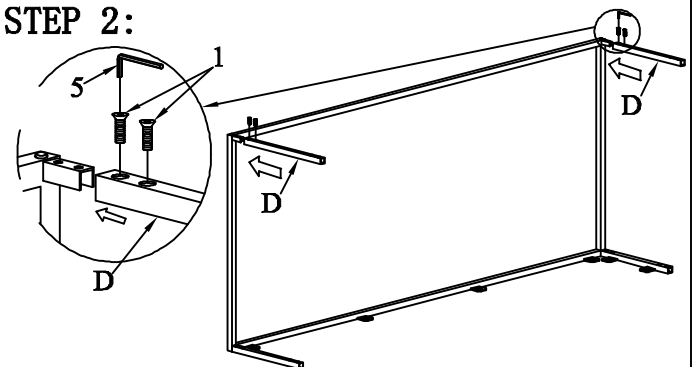
### ENNIS CONSOLE TABLE FULLY ASSEMBLED



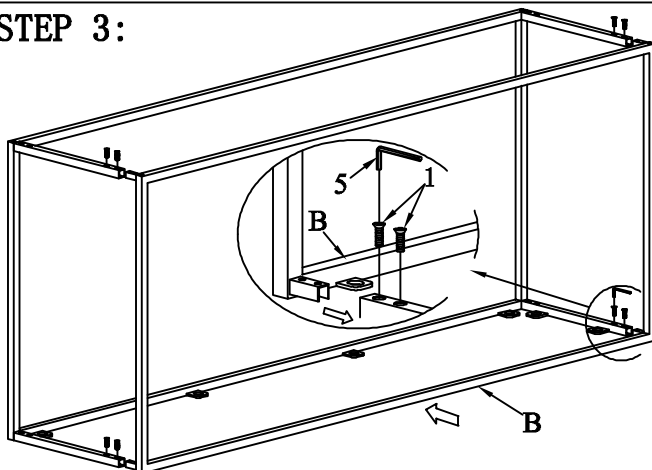
#### STEP 1:



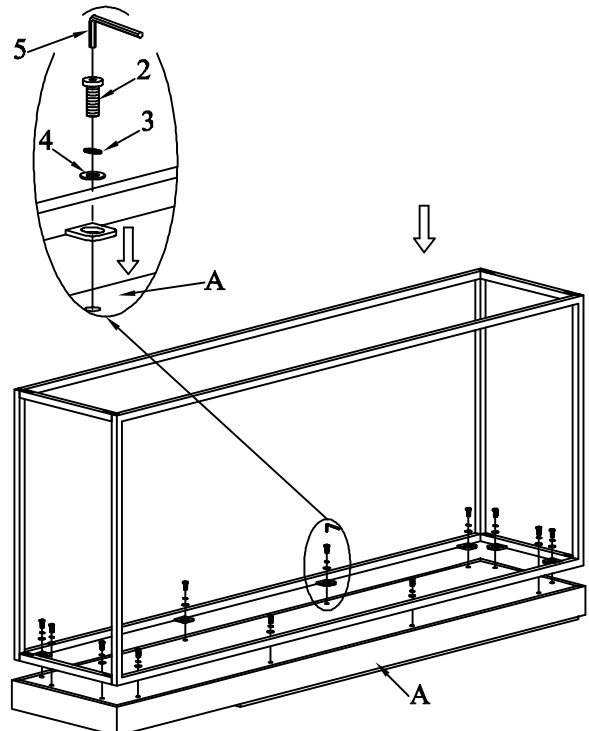
#### STEP 2:



#### STEP 3:



#### STEP 4:



### FULLY ASSEMBLED

