

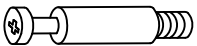



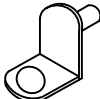
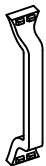

ITEM# 89046  
46" Slate Accent TV Stand

**Leick**  
Home  
SINCE 1910

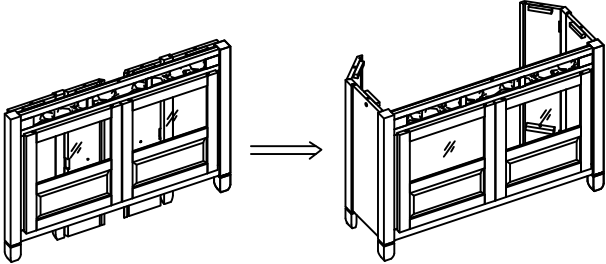
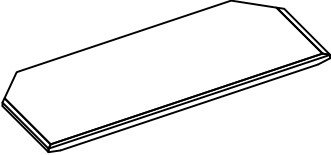
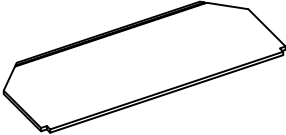
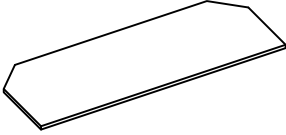
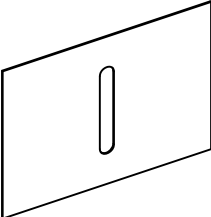
2219 S. 19th St.  
Sheboygan, WI 53081  
Ph: 920-451-4060  
Fax: 920-451-4063  
[info@leickfurnituresince1910.com](mailto:info@leickfurnituresince1910.com)



## Hardware List

	Item	Description	Qty
a		Pin	4PCS
b		Cam	4PCS
c		Cover cap	4PCS
d		Allen wrench	1PC
e		Shelf metal clip	4PCS
f		Door Pull	2PCS
g		Machine screw for door pull 5/32" * 3/4"	4PCS

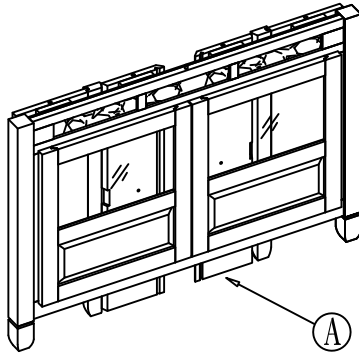
# Parts List

Item	Description	Qty	
A		Cabinet	1PC
B		Top Panel	1PC
C		Bottom Panel	1PC
D		Adjustable Shelf	1PC
E		Back Panel	1PC

# Assembly Instructions

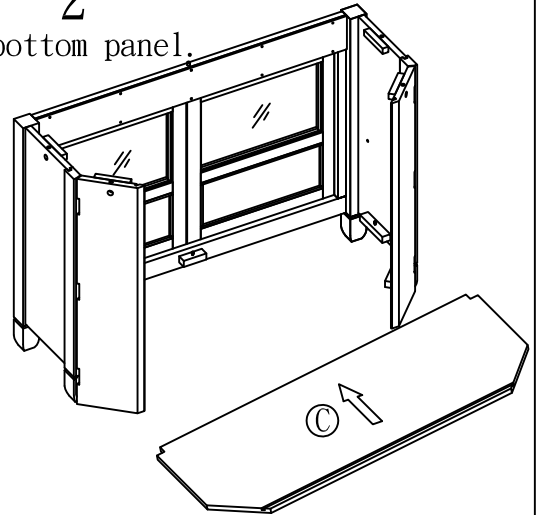
## step 1

Unfold Cabinet.



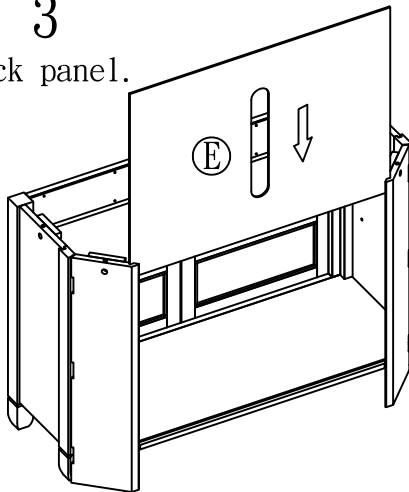
## step 2

Insert bottom panel.



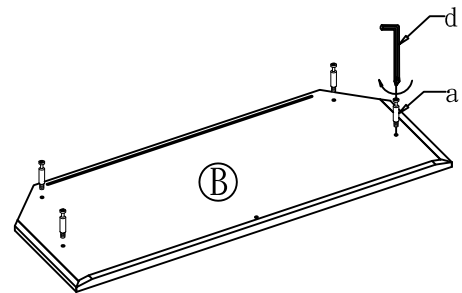
## step 3

Insert back panel.



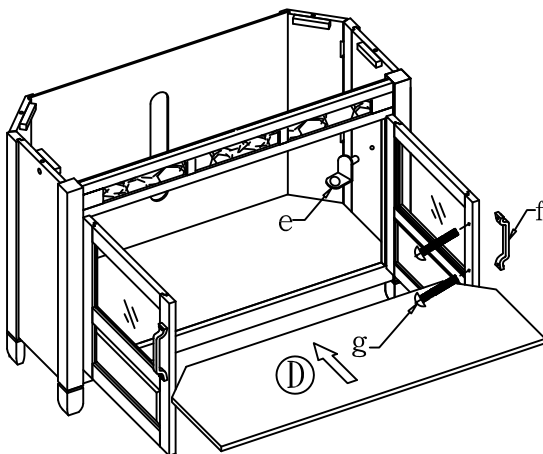
## step 4

Screw 4 pins into the top insert with allen wrench.



## step 5

Place the shelf on shelf clips and install the door pulls.



## step 6

Install the cams in side panels and back corner panels to fix the top. Adjust the cams in right position to fit the pins, after tight cam, then put on the cap.

