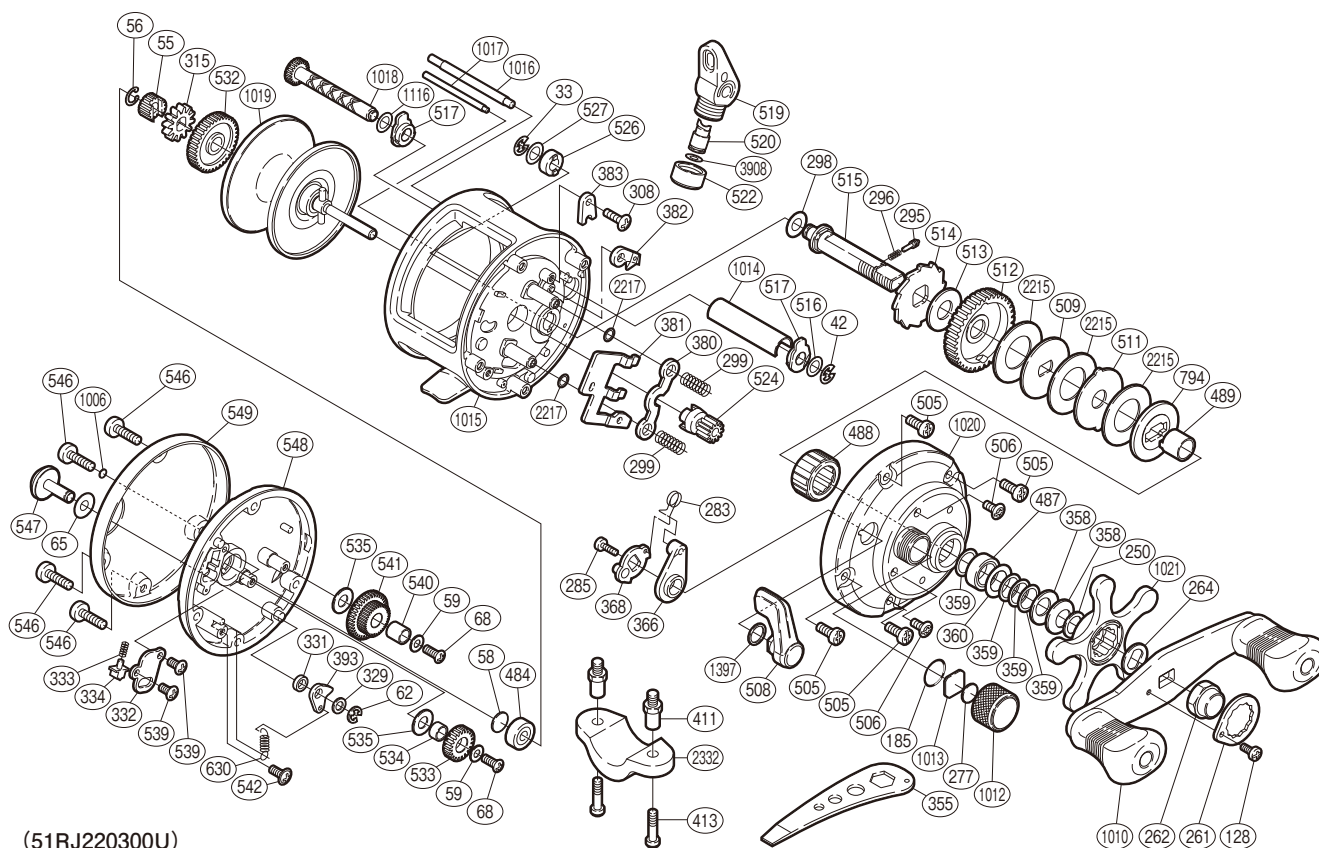


SHIMANO

TEKOTA

TEK-300



(51RJ220300U)

#	Part No.	Description	#	Part No.	Description	#	Part No.	Description
33	105NG	E Lock	368	1084G	Clutch Cam	541	10NXK	Idle Gear D
42	105NE	E Lock	380	10483	Yoke	542	10K8T	Screw
55	10J7E	Idle Gear A	381	1045H	Yoke Plate	546	10L9T	Screw
56	105SA	C Lock	382	10MW8	Anti-Reverse Pawl	547	1050J	Click Button
58	10GEU	Spacer B	383	10KSK	Anti-Reverse Pawl Keeper	548	10502	Left Side Plate
59	104H5	Lock Washer	393	10GQS	Click Pawl	549	10NV4	Left Side Plate Cover
62	105NK	E Lock	484	10KAD	Ball Bearing	630	10NRQ	Click Pawl Spring
65	104H2	Washer	487	10582	Ball Bearing	794	109F1	Key Washer
68	103GS	Screw	488	10F5D	Roller Clutch Bearing	1006	10U10	Spacer
128	10QG0	Screw	489	10BQ6	Roller Clutch Inner Tube	1010	10U0Z	Handle Assembly
185	109EB	O Ring	505	10LZ5	Screw	1012	106DS	Cast Control Cap
250	10BR1	Washer	506	10LF9	Screw	1013	1085F	Spool Tension Spacer
261	10QL8	Handle Nut Plate	508	10U11	Clutch Lever	1014	10HW1	Level Wind Guard
262	10FT1	Handle Nut	509	10D4K	Key Washer	1015	10K8B	One-Piece Frame
264	107QQ	Drive Shaft Shield	511	10D48	Eared Washer	1016	10HXB	Stabilizer Bar A
277	10896	Cast Control Spacer	512	109DH	Drive Gear	1017	10BKW	Stabilizer Bar B
283	10JYU	Clutch Spring	513	109BN	Drag Washer	1018	10KC8	Worm Shaft
285	10F8M	Screw	514	109BG	Anti-Reverse Ratchet	1019	10NSM	Spool Assembly
295	109ZZ	Click Pin	515	10994	Drive Shaft	1020	10HKM	Right Side Plate
296	10HZ5	Click Spring	516	10HV6	Washer	1021	10HMU	Star Drag
298	10588	Washer	517	10HT3	Worm Bushing	1116	10D69	Washer
299	104BY	Yoke Spring	519	10KCF	Line Guide	1397	10AG2	Smoother
308	10LSK	Screw	520	10FFZ	Line Guide Pawl	2215	10D2S	Drag Washer
315	104F1	Click Gear	522	10FJP	Pawl Cap	2217	10KF6	Washer
329	109RC	Spacer	524	10AHE	Pinion Gear	3908	10TZF	Spacer
331	10CFT	Click Pawl Spacer	526	10BPW	Drive Shaft Bushing			
332	104B6	Click Spring Retainer	527	10D66	Spacer	411	1046R	Rod Clamp Nut (accessory)
333	104MT	Click Spring	532	10AQQ	Counter Gear A	413	10A7C	Rod Clamp Bolt (accessory)
334	104B8	Click Spring Holder	533	10NXF	Idle Gear B	2332	10EUN	Rod Clamp (accessory)
358	10EW3	Coned Disc Spring	534	10NXJ	Idle Gear B Support			
359	105PW	Washer	535	10G4P	Spacer	355	10MJ2	Wrench (accessory)
360	109RF	Bearing Seal	539	10QG5	Screw			
366	10L2B	Eccentric Cam Bushing	540	10NXM	Idle Gear D Support			

Please note that the number of adjusting washers may not be the same as shown in the exploded views.
(Adjustment will vary with each individual product.)

(240625)_005