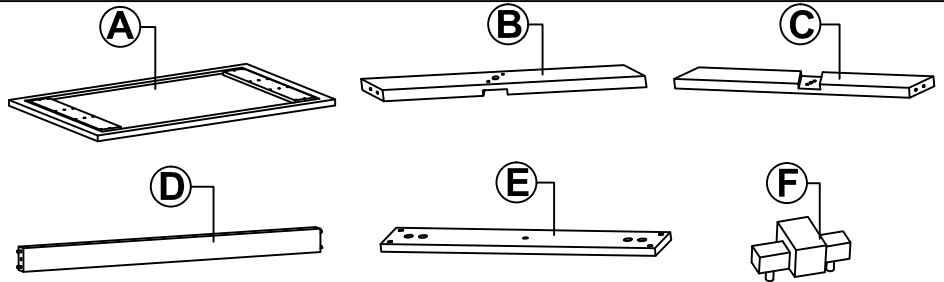


# BEAUVOIR DINING TABLE ASSEMBLY INSTRUCTIONS



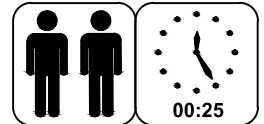
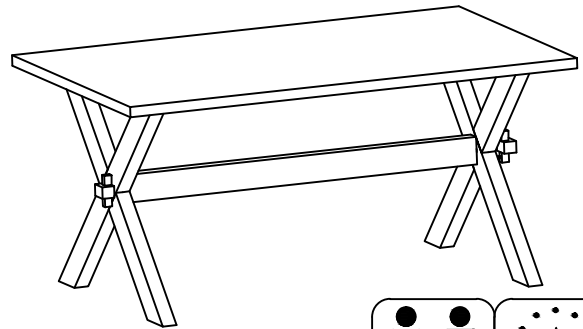
## PARTS PACKING CONFIGURATIONS

- A. TABLE TOP 1 PC
- B. TABLE LEG 2 PCS
- C. TABLE LEG 2 PCS
- D. CENTER STRETCHER 1 PC
- E. MOUNTING BAR 2 PCS
- F. WOOD PLUG DECOR 2 PCS

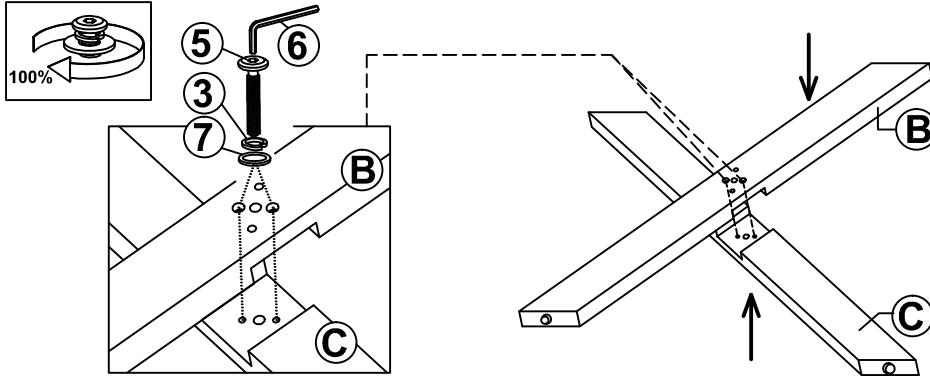


### HARDWARE PACKED IN BOX

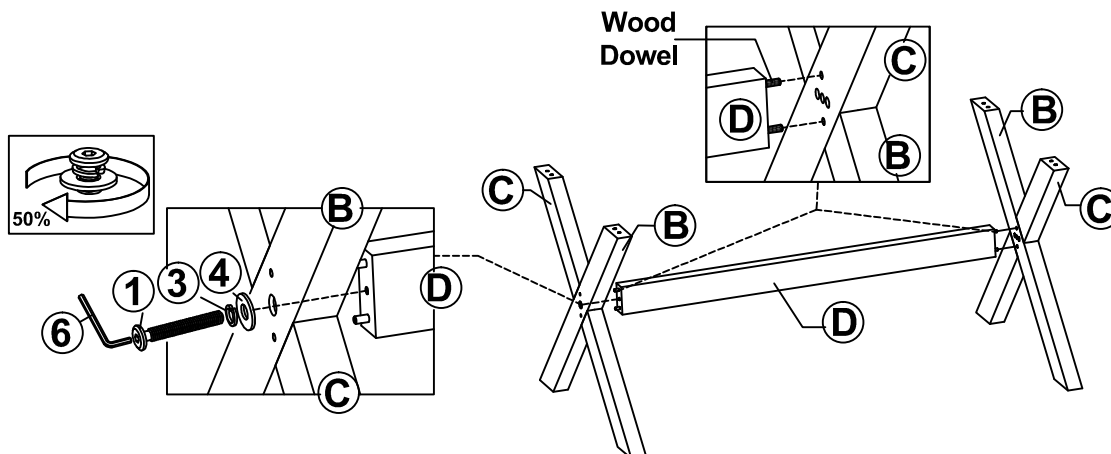
No.	Description	Image	Quantity
1	Allen Bolt (5/16" x 60mm)		2 pcs
2	Allen Bolt (1/4" x 40mm)		18 pcs
3	Lock Washer (5/16")		24 pcs
4	Flat Washer (5/16")		20 pcs
5	Allen Bolt (1/4" x 32mm)		4 pcs
6	Allen Key		1pc
7	Flat Washer (1/4")		4 pcs



### STEP 1:



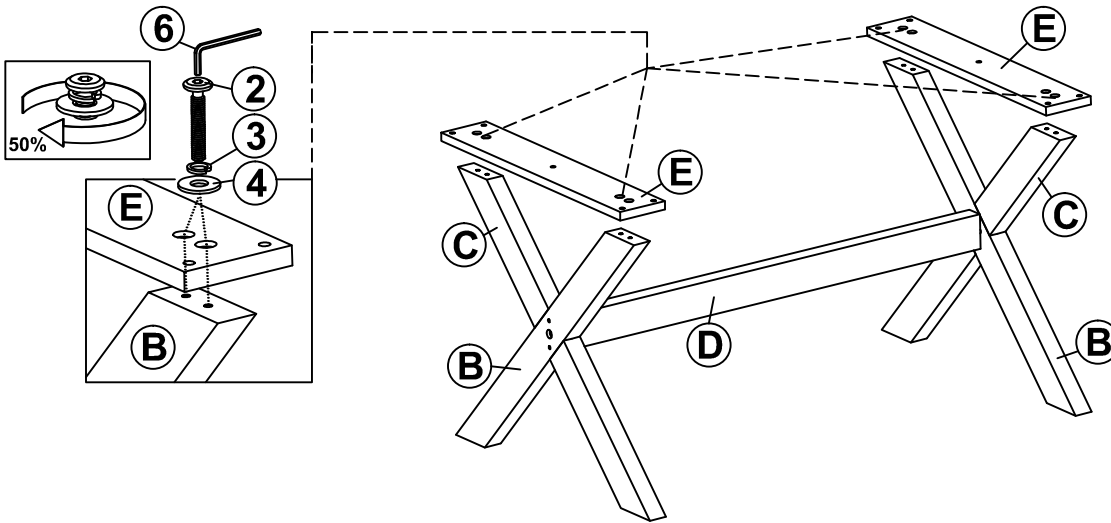
### STEP 2:



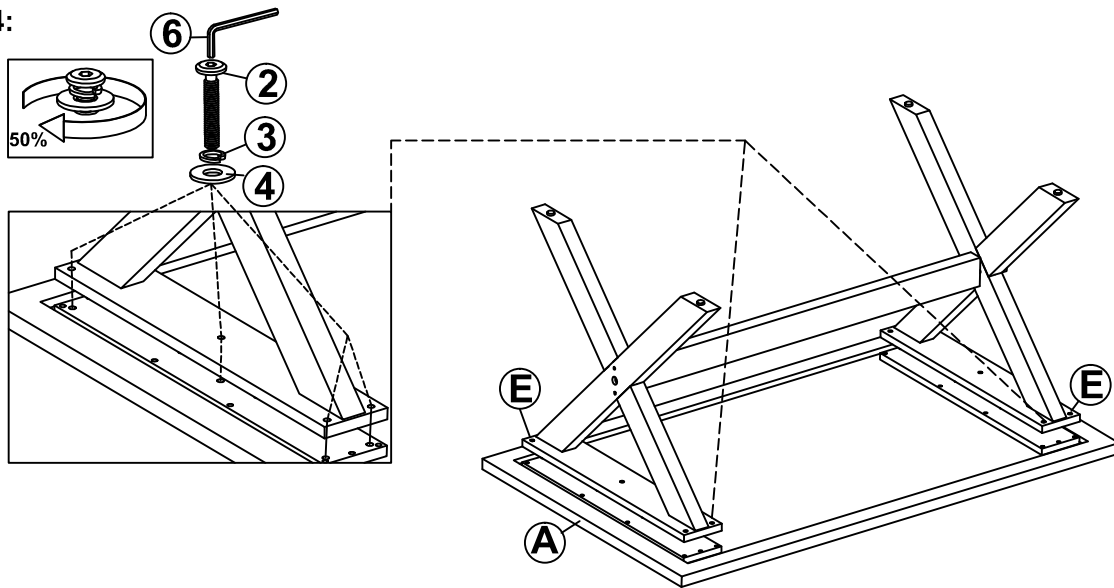
# BEAUVOIR DINING TABLE ASSEMBLY INSTRUCTIONS



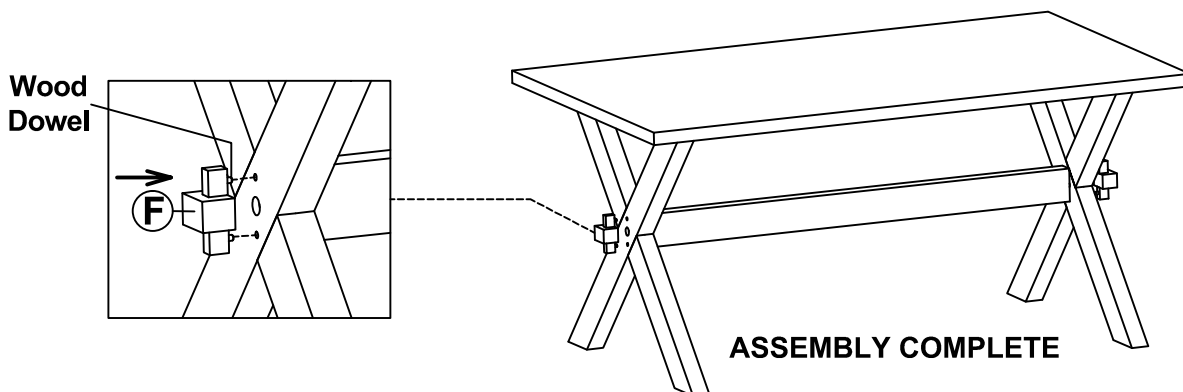
## STEP 3:



## STEP 4:



## STEP 5:



FULLY TIGHTEN ALL BOLTS IN STEPS 2, 3, & 4.