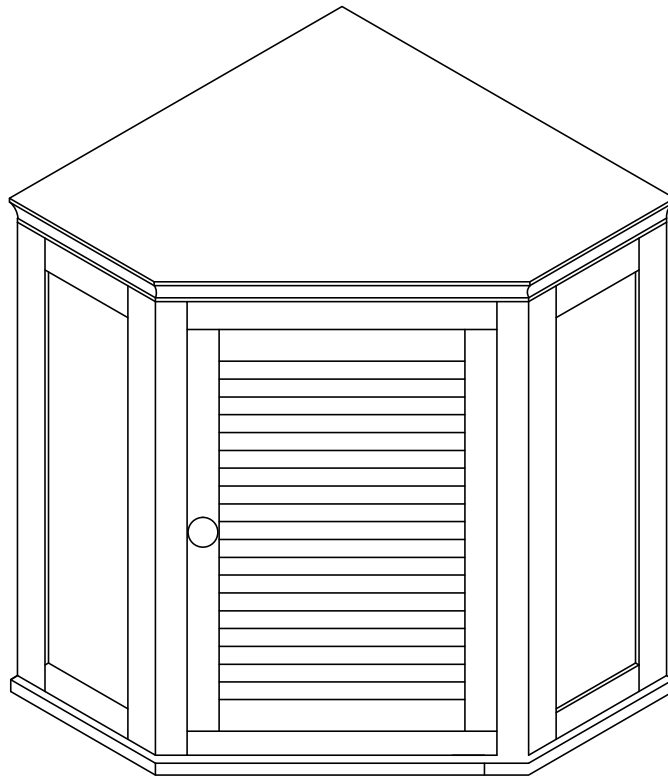


# ASSEMBLY INSTRUCTIONS

## Corner WC-Shutter Door



Please provide the following information when contacting for parts or questions: the name of the company you purchased from, the UPS/FedEx tracking number.

This product comes with a 1 year warranty. Products purchased second hand/used are not covered under the warranty.

### ASSEMBLY INSTRUCTIONS-IMPORTANT

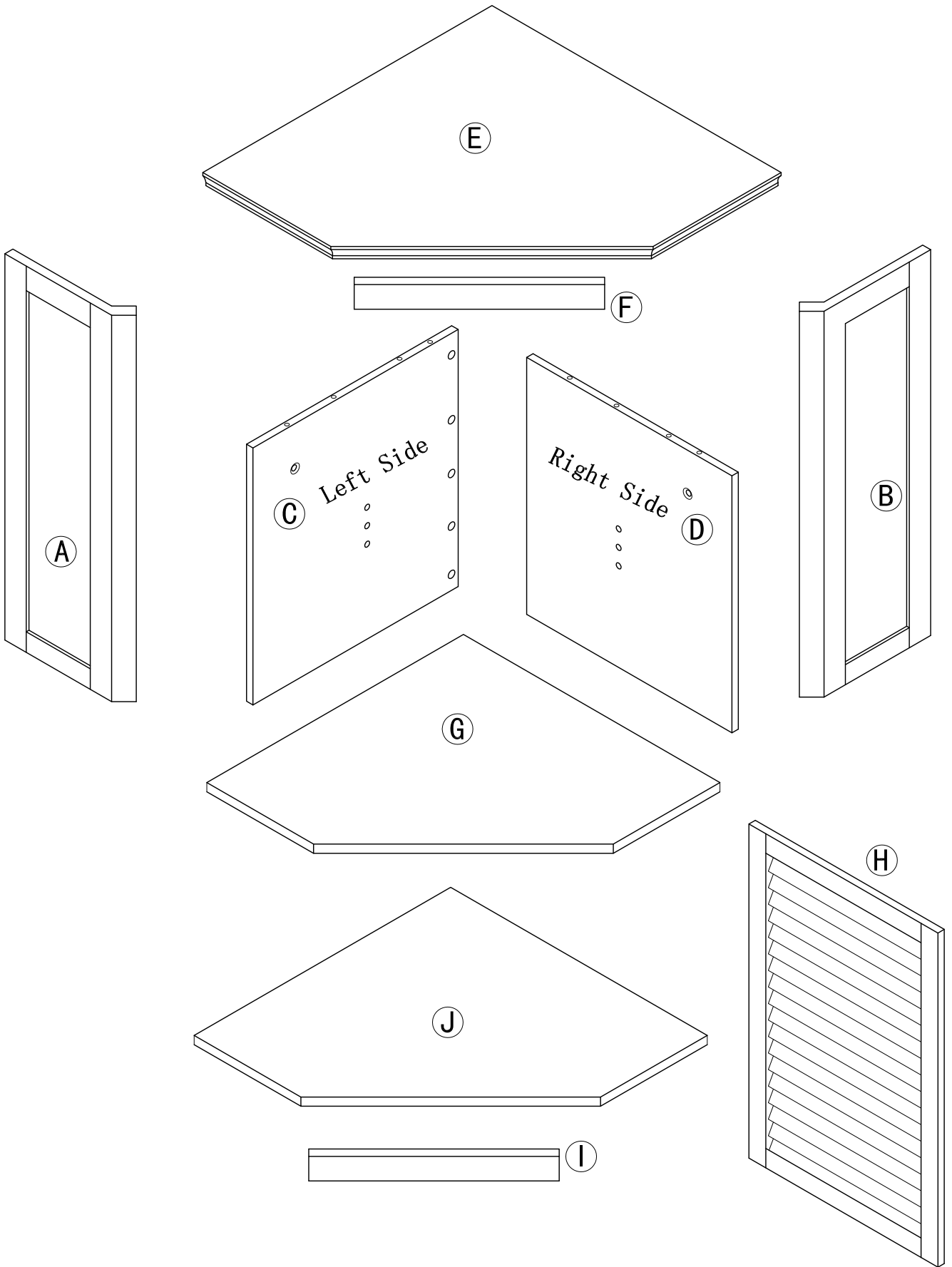
Carefully unpack & identify each component before attempting to assemble. Refer to parts list. Please take care when assembling the unit and always set the parts on a clean, soft surface. If you require any assistance with assembly, parts, please call the company you place order with or please email to: [service@eleganthf.net](mailto:service@eleganthf.net)

### INSTRUCCIONES PARA ARMAR-IMPORANT:


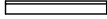





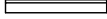
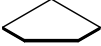
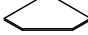
Desempaque cuidadosamente e identifique cada componente antes de tartar de empezar su ensambladura. Verifique la lista de partes. Por favor tenga cuidado cuando arme la unidad y siempre coloque las piezas sobre una superficie plana, suave y limpia. Si necesita ayuda con el armado, envíe un correo electzórico a [service@eleganthf.net](mailto:service@eleganthf.net)

### DIRECTIVES DE MONTAGE-IMPORTANT:

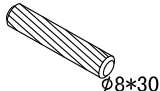

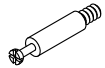
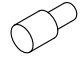


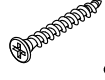
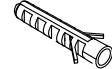
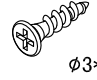
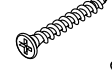

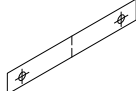
Avant de commencer l' assemblage, déballez délicatement toutes les pièces et repérez-les sur la liste des pièces. Procédez avec soins durant l' assemblage et posez toujours les pièces sur une surface proper, douce et lisse. sie vouo plait e-mail á [service@eleganthf.net](mailto:service@eleganthf.net)



# COMPONENTS

PART	FIGURE	DESCRIPTION	QTY	PART	FIGURE	DESCRIPTION	QTY
A		FRONT LEFT SIDE PANEL	1PC	F		UPPER RAIL	1PC
B		FRONT RIGHT SIDE PANEL	1PC	G		BOTTOM PANEL	1PC
C		BACK LEFT SIDE PANEL	1PC	H		DOOR	1PC
D		BACK RIGHT SIDE PANEL	1PC	I		BOTTOM RAIL	1PC
E		TOP PANEL	1PC	J		ADJUSTABLE SHELF	1PC

# HARDWARE & TOOLS

PART	FIGURE	DESCRIPTION	QTY	PART	FIGURE	DESCRIPTION	QTY
1		WOODEN DOWEL	25PCS	7		BOLT	1PC
2		CAM BOLT	16PCS	8		SHELF PIN	4PCS
3		BIG CAM LOCK	12PCS	9		SMALL CAM LOCK	4PCS
4		SCREW	3PCS	10		ANCHOR	2PCS
5		SCREW	4PCS	11		SCREW	2PCS
6		KNOB	1PC			TEMPLATE PAPER	

## TOOL NEEDED:



**PHILIPS SCREWDRIVER REQUIRED  
- NOT INCLUDED**

## SUGGESTION:



**TWO PEOPLE FOR ASSEMBLING**



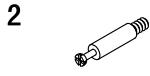
## WARNINGS:

1. DO NOT LET ANY SHARP OBJECTS TOUCH OR RUB THE SURFACE OF THE PRODUCT.
2. WHEN ASSEMBLING, DO NOT LET CHILDREN PLAY AROUND THE WORKING AREA.
3. PLEASE CONFIRM ALL PARTS ARE CORRECT BEFORE STARTING THE ASSEMBLY PROCESS.
4. DO NOT TIGHTEN ALL BOLTS AND SCREWS COMPLETELY UNTIL THE ENTIRE UNIT HAS BEEN ASSEMBLED AND SET UP.

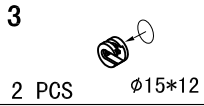
# 1



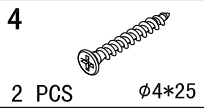
9 PCS



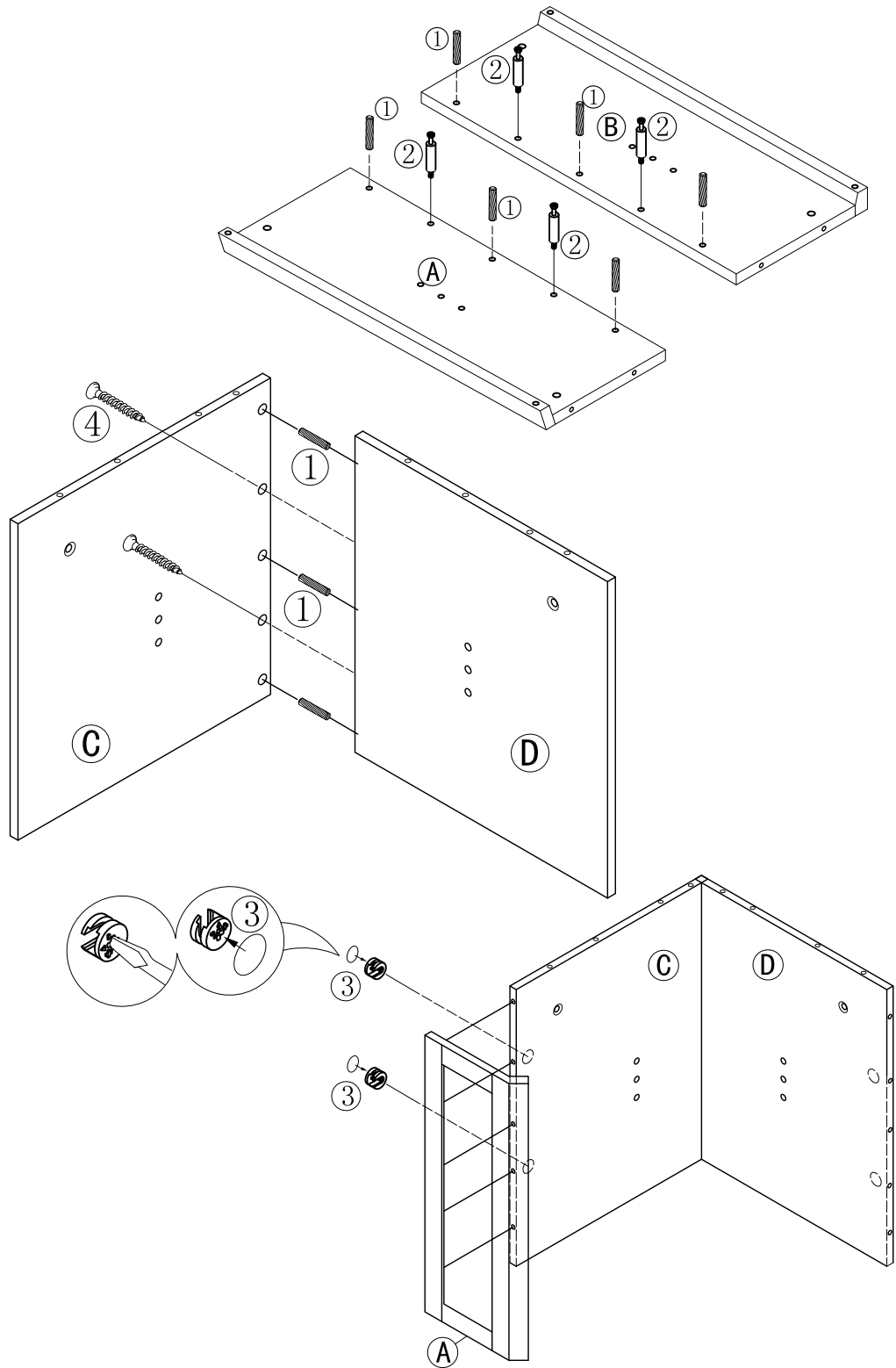
4 PCS



2 PCS  $\phi 15 \times 12$



2 PCS  $\phi 4 \times 25$



## STEP 1:

1. Screw cambolts (2) & insert dowels (1) to panels A & B.
2. Attach panel C to panel D with dowels (1) and secure with screw (4).
3. Attach panel A to panel C and secure with camlocks (3).

# 2

1

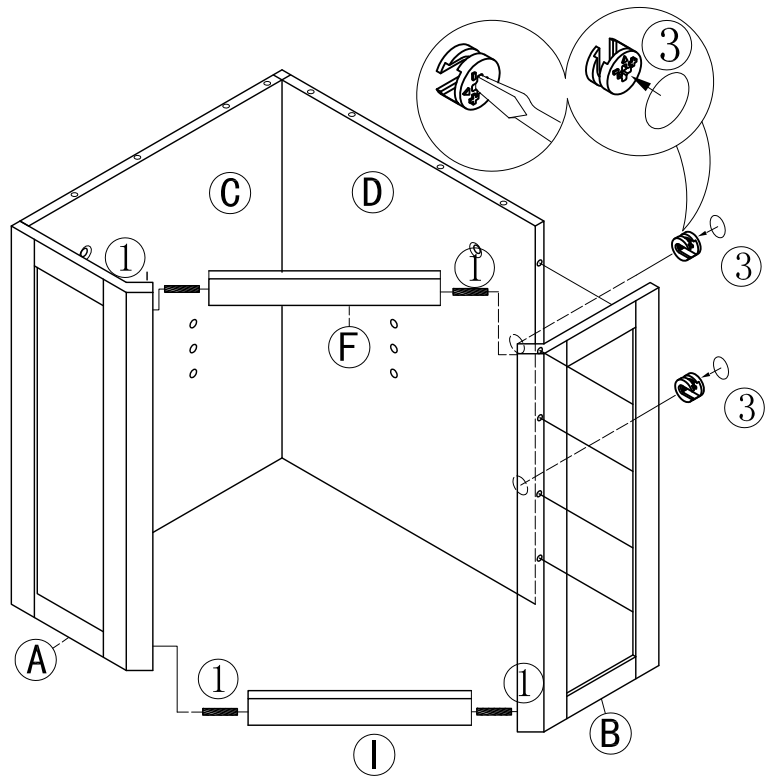


4 PCS

3



2 PCS  $\phi 15*12$



## STEP 2:

1. Attach rails F & I to panel A with dowels (1).
2. Attach panel B to rails F & I with dowels (1) and panel D and secure with camlocks (3).

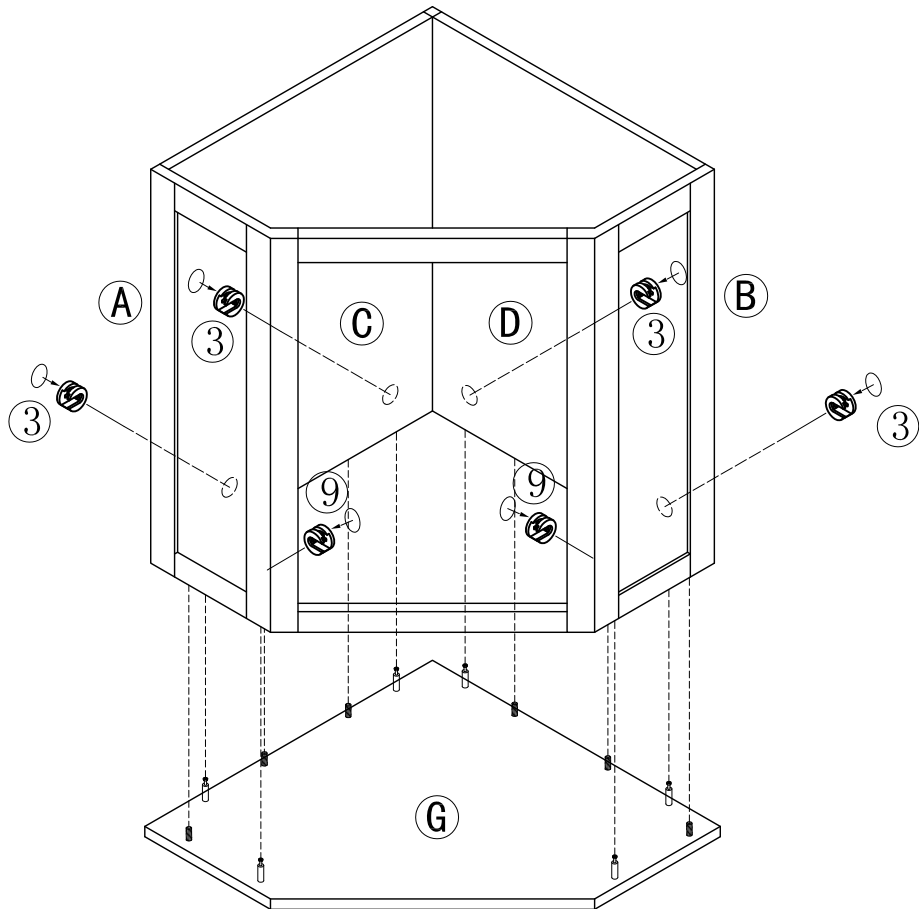
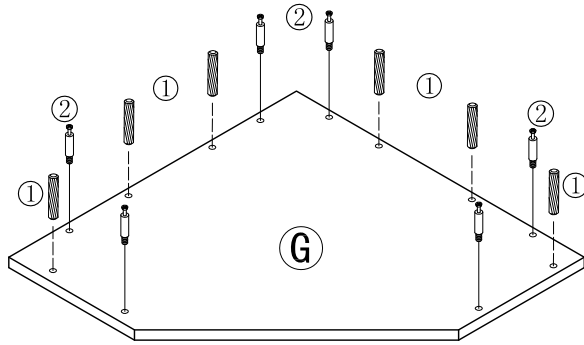
# 3

1  
6 PCS

2  
6 PCS

3  
4 PCS  $\phi 15 \times 12$

9  
2 PCS  $\phi 15 \times 9$



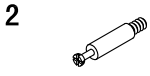
## STEP 3:

1. Screw cambolts (2) & insert dowels (1) to panels G.
2. Attach panels A, B, C, & D to panel G and secure with camlocks (3).

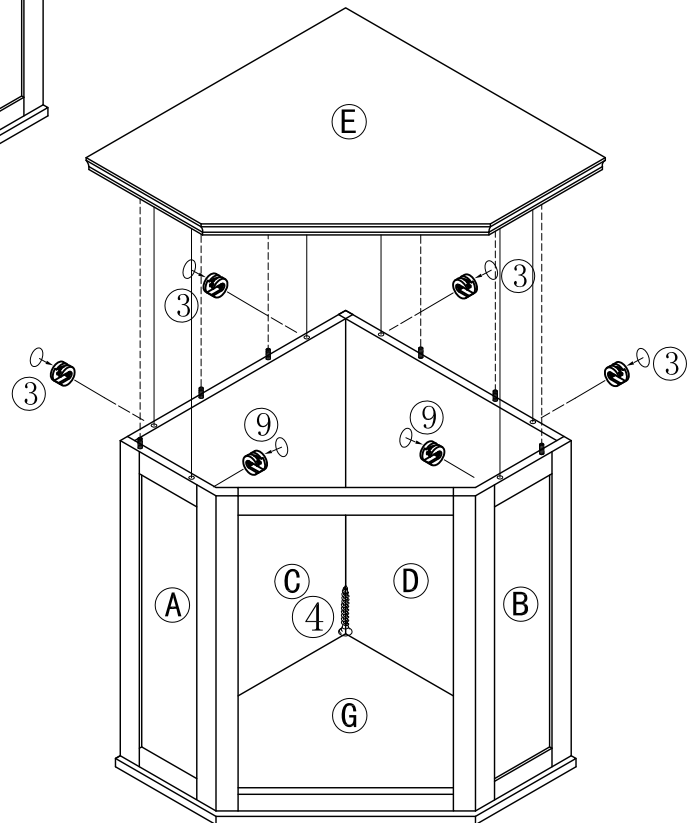
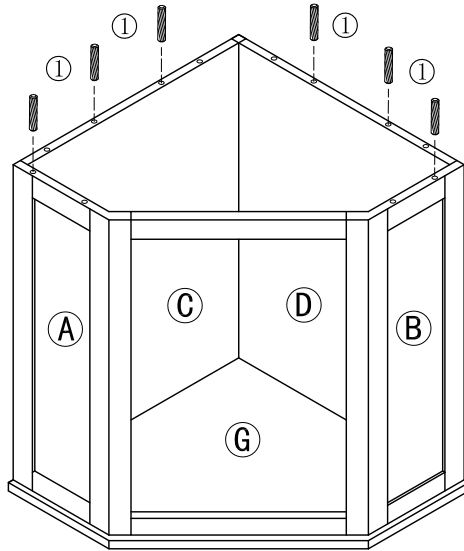
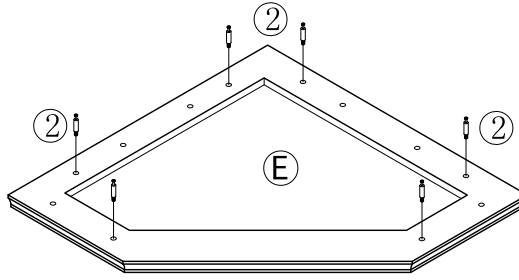
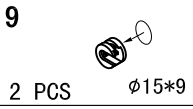
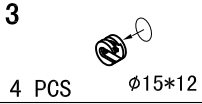
# 4



6 PCS



6 PCS



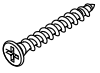
## STEP 4:

1. Screw cambolts (1) to panel E.
2. Insert dowels (2) in the tops of panels A, B, C, & D.
3. Attach panel E to the top of the cabinet and secure with camlocks (3) and screw (4).



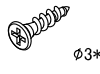
# 5

4



1 PC  $\phi 4 \times 25$

5



4 PCS  $\phi 3 \times 12$

6



1 PC

7

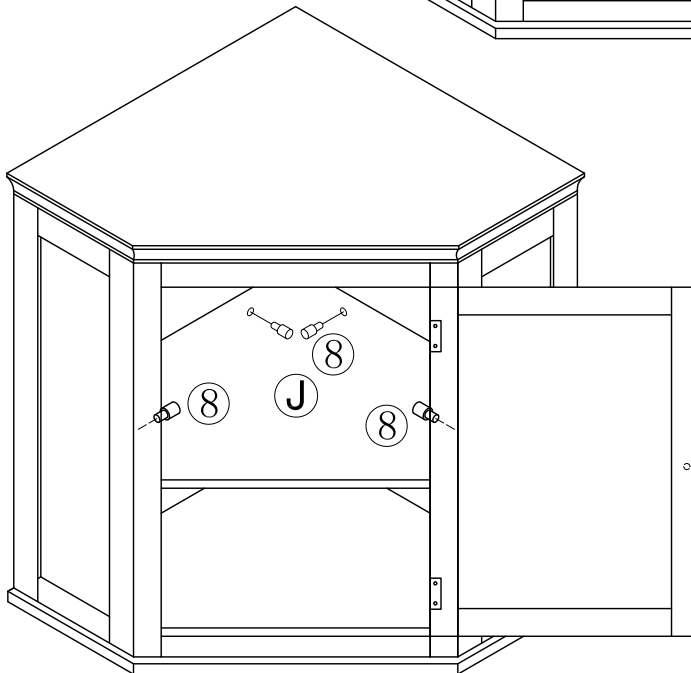
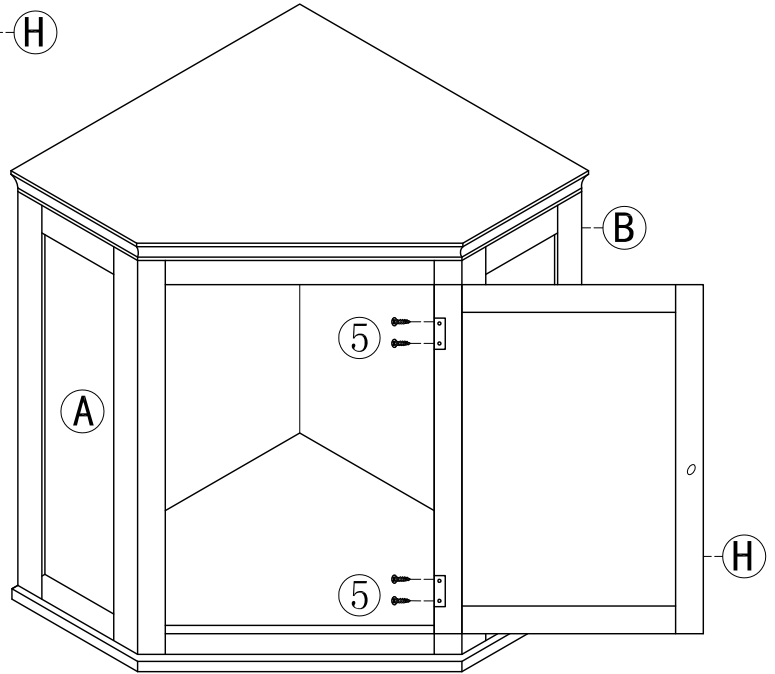
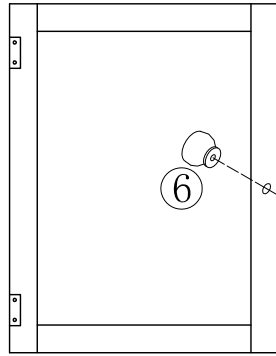


1 PC

8



4 PCS



## STEP 5:

1. Attach knob (6) to door H with bolt (7).
2. Attach door H to panel B with screws (5).
3. Insert shelf pins (8) in panels A, B, C, & D.
4. Rest shelf J on the shelf pins.

# 6

10



2 PCS

11



2 PCS  $\phi 4 \times 35$

