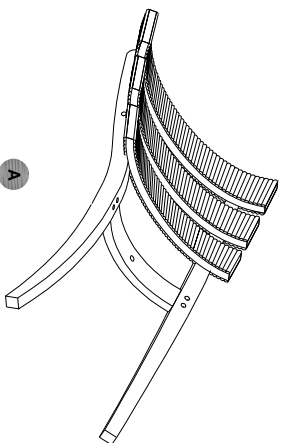
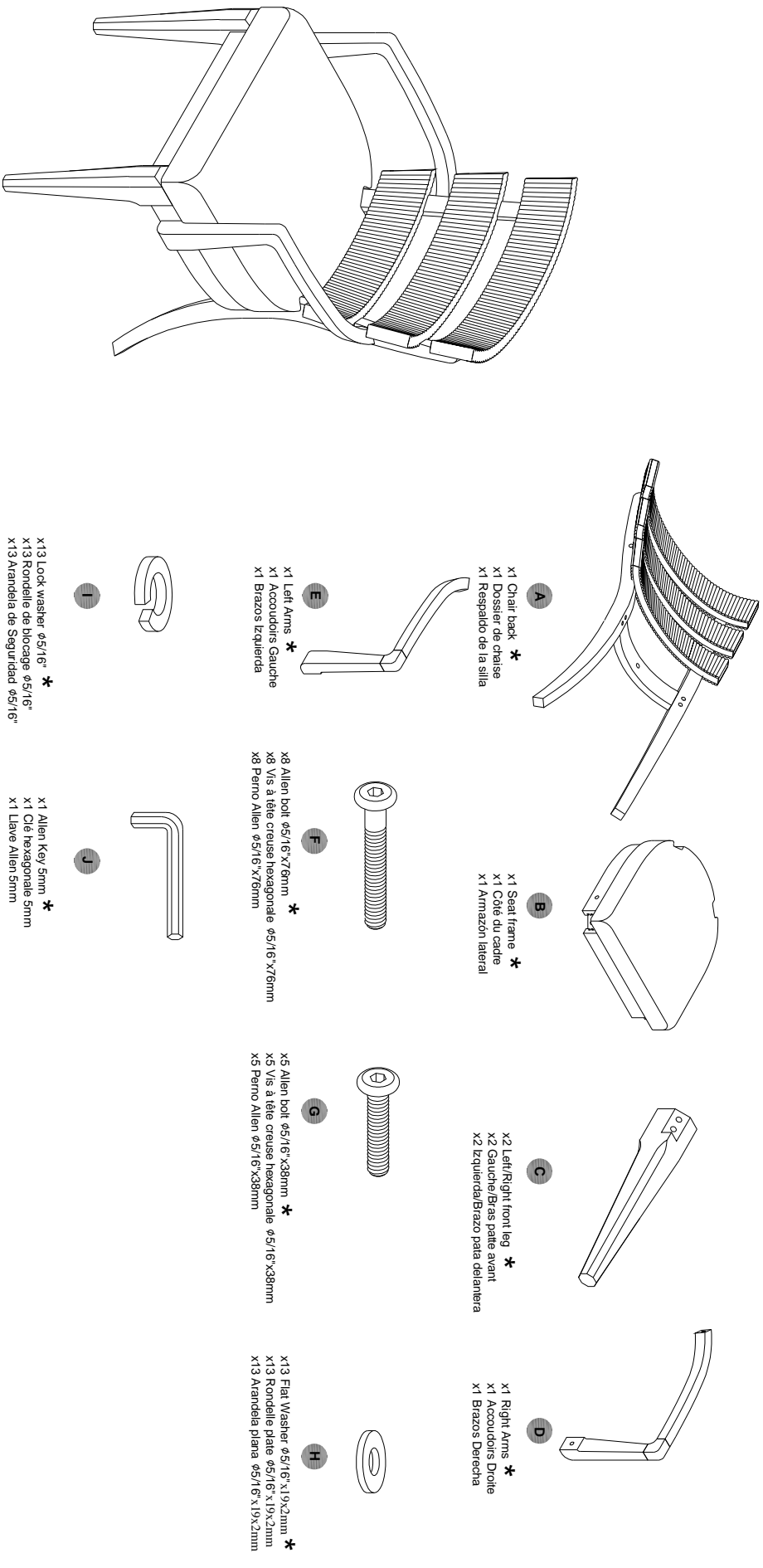


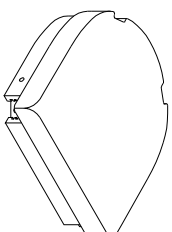
## PARTS LIST / LISTE DES PIÈCES / LISTA DE PIEZAS

ITEM NO. / NO D'ARTICLE / ARTICULO NO. : P361261

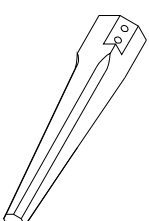
DESCRIPTION/ LA DESCRIPTION / DESCRIPCIÓN : WOOD BACK ARM CHAIR / CHAISE A ACCOUROIRS AVEC DOSSIER EN BOISSILLA DE BRAZOS CON RESPALDO DE MADERA



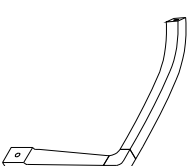
**A** \*  
X1 Chair back  
X1 Dossier de chaise  
X1 Respaldo de la silla



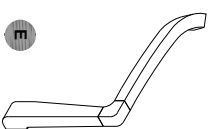
**B** \*  
X1 Seat frame  
X1 Côte du cadre  
X1 Armazon lateral



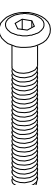
**C** \*  
X2 Left/Right front leg  
X2 Gauche/Bras patte avant  
X2 Izquierda/Brazo pata delantera



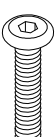
**D** \*  
X1 Right Arms  
X1 Accouvoirs Droite  
X1 Brazos Derecha



**E** \*  
X1 Left Arms  
X1 Accouvoirs Gauche  
X1 Brazos Izquierda



**F** \*  
X8 Allen bolt  $\phi 5/16$ "x76mm  
X8 Vis à tête creuse hexagonale  $\phi 5/16$ "x76mm  
X8 Perno Allen  $\phi 5/16$ "x76mm



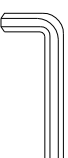
**G** \*  
X5 Allen bolt  $\phi 5/16$ "x38mm  
X5 Vis à tête creuse hexagonale  $\phi 5/16$ "x38mm  
X5 Perno Allen  $\phi 5/16$ "x38mm



**H** \*  
X13 Flat Washer  $\phi 5/16$ "x19x2mm  
X13 Rondelle plate  $\phi 5/16$ "x19x2mm  
X13 Arandela plana  $\phi 5/16$ "x19x2mm



**I** \*  
X13 Lock washer  $\phi 5/16$ "  
X13 Rondelle de blocage  $\phi 5/16$ "  
X13 Arandela de Seguridad  $\phi 5/16$ "



**J** \*  
X1 Allen Key 5mm  
X1 Clé hexagonale 5mm  
X1 Llave Allen 5mm

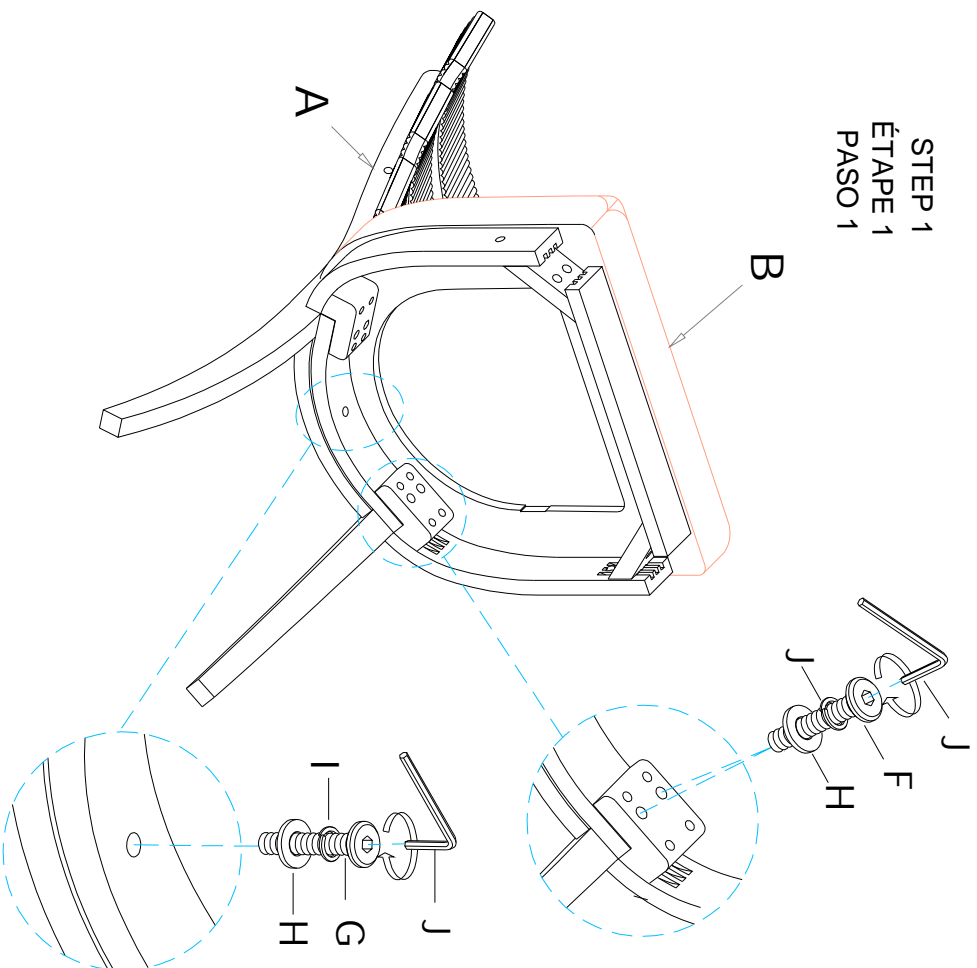
\* Replaceable Part

## ASSEMBLY INSTRUCTIONS/ NOTICE DE MONTAGE/ INSTRUCCIONES DE MONTAJE

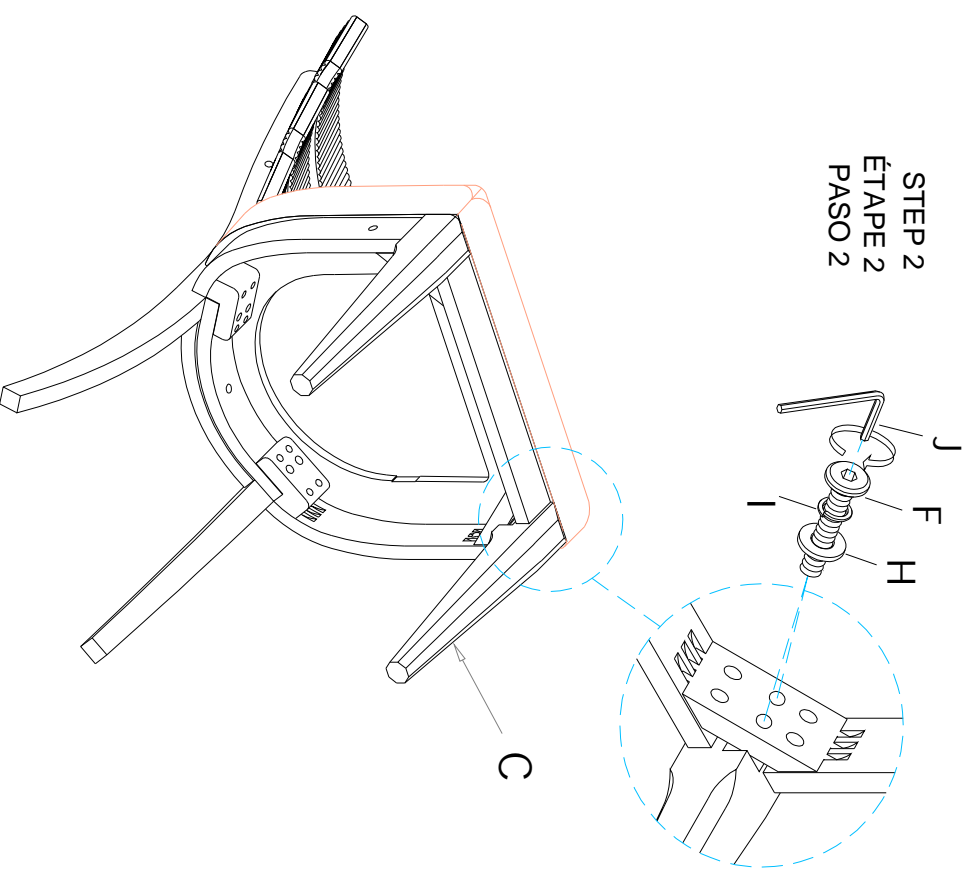
ITEM NO./ NO D'ARTICLE/ ARTICULO NO. : P361261

DESCRIPTION/ LA DESCRIPTION /DESCRIPCIÓN :WOOD BACK ARM CHAIR /CHAISE A ACCOUDOIRS AVEC DOSSIER EN BOIS/SILLA DE BRAZOS CON RESPALDO DE MADERA

STEP 1  
ÉTAPE 1  
PASO 1



STEP 2  
ÉTAPE 2  
PASO 2



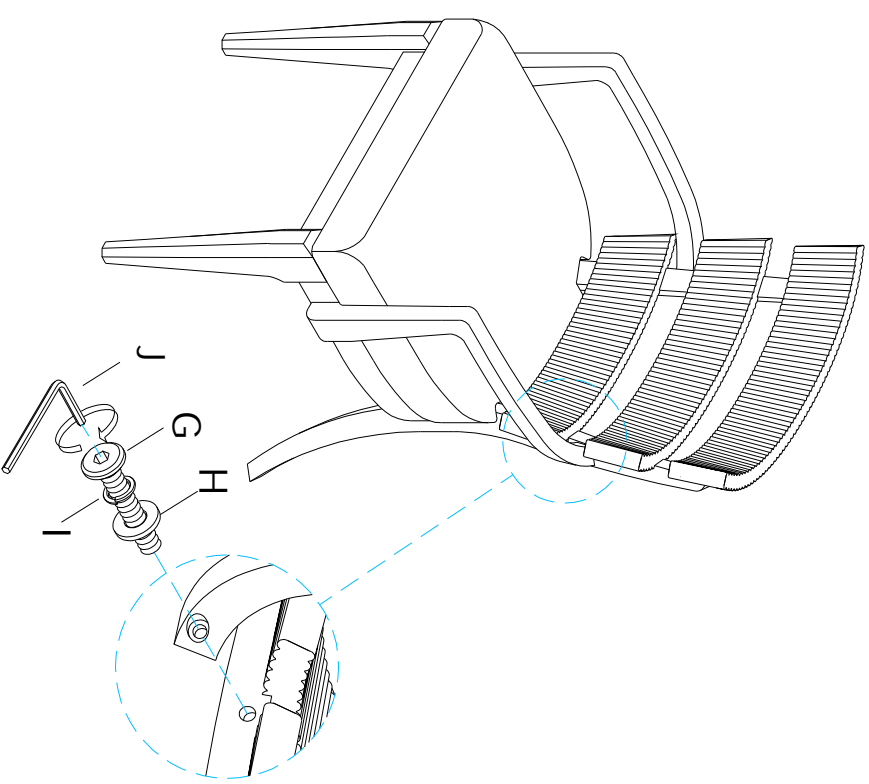
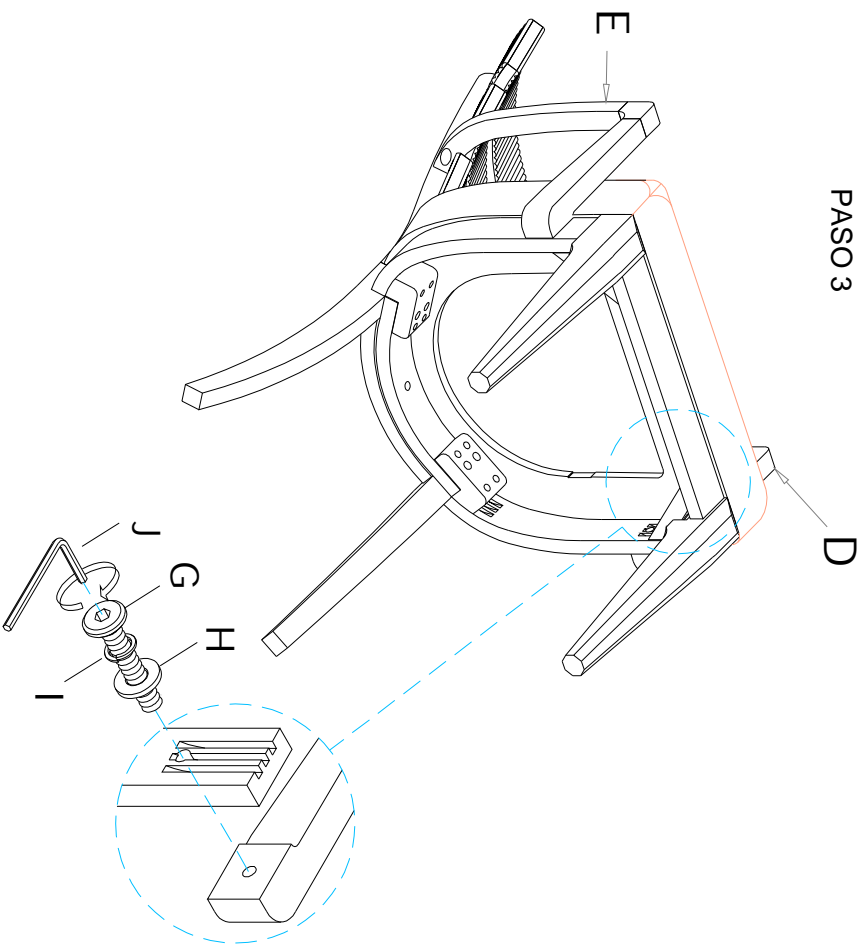
\* Replaceable Part

## ASSEMBLY INSTRUCTIONS/ NOTICE DE MONTAGE/ INSTRUCCIONES DE MONTAJE

ITEM NO. / NO D'ARTICLE/ ARTICULO NO. : P361261

DESCRIPTION/ LA DESCRIPTION /DESCRIPCION :WOOD BACK ARM CHAIR /CHAISE À ACCOUROIRS AVEC DOSSIER EN BOIS/SILLA DE BRAZOS CON RESPALDO DE MADERA

### STEP 3 ÉTAPE 3 PASO 3

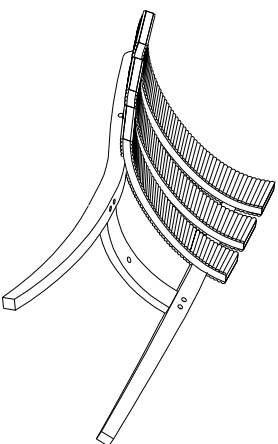
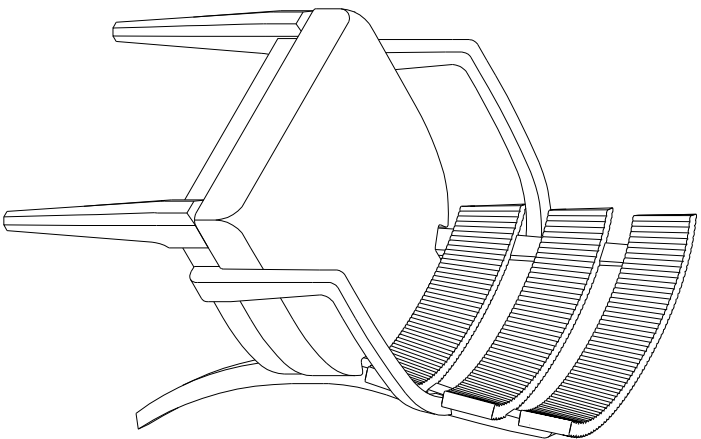


\* Replaceable Part

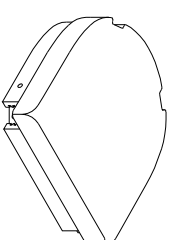
## REPLACEABLE PART / PARTIE REMPLAÇABLE / PARTE REEMPLAZABLE

ITEM NO. / NO D'ARTICLE / ARTICULO NO. : P361261

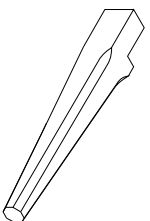
DESCRIPTION / LA DESCRIPTION / DESCRIPCIÓN : WOOD BACK ARM CHAIR / CHAISE À ACCOUROIRS AVEC DOSSIER EN BOIS / SILLA DE BRAZOS CON RESPALDO DE MADERA



x1 RP361-261-BACK - Chair Back  
Dossier de chaise  
Respaldado de silla \*

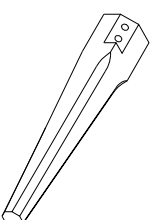


x1 RP361-261-FRAME - Seat frame with cushion  
Siège avec coussin  
Cojín de asiento con cuadro del asiento \*



x1 RP361261-LEGL - Front leg (Left) \*

Pate avant (Gauche)  
Pata delantera (Izquierda)

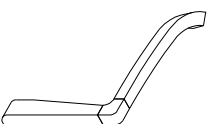


x1 RP361261-LEGR - Front leg (Right) \*

Pate avant (Droite)  
Pata delantera (Derecha)

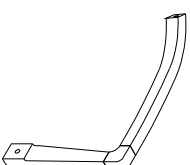


x1 RP361261-HWKIT - Hardware  
Liste des pièces de quincaillerie  
Lista del kit de materiales \*



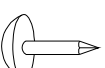
x1 RP361261-ARWL - Arm Left \*

Bras Gauche  
Brazo Izquierda



x1 RP361-261-ARWR - Right Arm \*

Bras droit  
Brazo derecho



x4 RC-WH-NAIL - White Plastic Nail  
Clou en plastique  
Clavo de plástico \*

\* Replaceable Part

Residential Use Only

## **Protect Your Wood or Laminate Flooring**

\* This statement applies to any floor without carpet.

If not careful, all furniture including upholstery and case pieces can scratch, scuff and even gouge floors. The recommendation is to have felt, rubber pads or area rugs under furniture on flooring without carpet.

### **Moving your furniture**

Pushing and dragging furniture over floor without carpet can lead to scratches and scuffs. Have someone help when moving the larger pieces of furniture by lifting, try using a dolly or moving pads.

### **Felt and rubber pads**

Applying furniture pads to the feet of furniture helps cushion contact points. Furniture pads can be found at local hardware stores. Felt pads slide easily across the floor, making them ideal for dining chairs and other pieces that move with use. Rubber pads will help furniture stay in place and are perfect for larger pieces, like sofas and loveseats.

### **Area rugs and rug pads**

Using an are rug under furniture is another way to protect your floor from scratches and scuff marks. A rug pad under the area rug will provide extra cushion and added protection.

\* *Replaceable Part*