





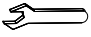





# ASSEMBLY INSTRUCTION

ITEM: 6500-90867-80 6/0-6/6 Upholstered Headboard  
 6500-90868-80 6/0-6/6 Upholstered Footboard  
 6500-90853-80 5/0-6/6 Rails  
 6500-90863-80 6/0 Rails

Thank you for purchasing this quality product. Be sure to unpack carefully looking for small parts which may have come loose during shipment.  
 Read all instruction and study the drawing carefully before starting the assembly process.

HARDWARE LIST					PARTS LIST			
NO.	DRAWING	DESCRIPTION	SIZE	Q' TY	NO.	DRAWING	DESCRIPTION	Q' TY
A		Threaded Rod	Ø3/8"*4"	8PCS	1		Headboard	1PC
B		Curved Washer	Ø3/8"	8PCS	2		Rail	2PCS
C		Nut	Ø3/8"	8PCS	3		Footboard	1PC
D		Open Wrench	Ø3/8"	1PC	4		Slat	5PCS
E		Screw	1 1/4"	20PCS	5		Support Leg	5PCS

Step 1: Attach Rails (2) to Headboard (1) and Footboard (3) by using Threaded Rods (A), Curved Washers (B), and Nuts (C), tighten them with Open Wrench (D) .

Step 2: Attach support legs (5) to slats (4).

Step 3: Attach slats (4) to the rails (2) and tighten them by using Phillips head screwdriver.

# ASSEMBLY INSTRUCTION

ITEM: 6500-90867-80 6/0-6/6 Upholstered Headboard  
6500-90868-80 6/0-6/6 Upholstered Footboard  
6500-90853-80 5/0-6/6 Rails  
6500-90863-80 6/0 Rails

Thank you for purchasing this quality product. Be sure to unpack carefully looking for small parts which may have come loose during shipment.  
Read all instruction and study the drawing carefully before starting the assembly process.

