

DIGITAL NAVIGATION

[Ordering Tree](#) [nLight Platform](#) [Controls](#) [Photometrics](#) [Performance Data](#)

FEATURES & SPECIFICATIONS

INTENDED USE — ENVEX is a high-performance recessed ambient solution suitable for all application types. Designed to improve quality of light, ENVEX provides performance, configurability, delivery, value and style. A typically configured ENVEX features a **Unified Glare Rating (UGR)** starting at 17, UGR data available on page 9. Both designs, Hourglass and Hourglass with Center Spine, are created to elevate the space with a unique, undistruptive, calm and soothing illumination. **Certain airborne contaminants can diminish the integrity of acrylic and/or polycarbonate. [Click here for Acrylic-Polycarbonate Compatibility table for suitable uses.](#)**

CONSTRUCTION — ENVEX is engineered to have a **curved luminous surface** to reduce glare while increasing its volumetric class. Its smooth acrylic lens, and direct-lit over optic technology, allow for **no individual LED images to be visible** to the occupants in the space. ENVEX seamless transition zones permit for the **uniform illumination across the lens** to be visually comfortable to look into. Built with non-exposed corners and seamless flanges within the T-Grid, ENVEX is a single, self-contained fixture with a steel housing and plastic end caps **not requiring onsite assembly** for installation outside of additional accessories. The power supply and circuit board of the luminaire is integral to the unit. ENVEX allows for design flexibility by incorporating a center element, if chosen, without compromising its fully luminous aperture.

ENVEX has **IP5X rated** sealed optics to prevent dust and bugs from protruding inside of the fixture. All the painted components within the luminaire have **paint particles of 31um or larger, painted to a thickness of no less than 3 mils** for even coverage. Before delivery, ENVEX undergoes component verification by means of visual scanning equipment to ensure proper CCT, Lumens, and CRI; in addition to the optical scanning to detect visual defects for the most optimal quality assurance.

ELECTRICAL — ENVEX delivers performance superiority with long-life LEDs and unique over optics that when coupled with high-efficiency drivers, provide superior quantity of illumination for extended service life. ENVEX offers **80% LED lumen maintenance at 60,000 hours** and color variation within **3-step MacAdam ellipse ranging from 3000K-5000K**.

ENVEX offers 8 different lumen packages ranging from 1500 to 7200 lumen with certifications in DLC Standard and/or DLC Premium allowing for rebates and energy savings solutions.

This fixture offers flicker free dimming with capability to dim to either 10%, 1% or .1%.

Driver disconnect provided where required to comply with US and Canadian codes.

SENSOR — ENVEX features multiple integral sensor types without compromising the range and aesthetic of the fixture. Integrated sensor (individual control): Sensor Switch MSD7ADXC ((Passive infrared (PIR)) or MSDPDT7ADXC ((PIR/Microphonics Dual Tech (PDT)) integrated occupancy sensor/automatic dimming photocell allows the luminaire to power off when the space is unoccupied or enough ambient light is entering the space. See page 4 for more details on the integrated sensor.

Integrated Sensor (nLight Wired Networking): This sensor is nLight-enabled, Integrated Smart Sensor (nLight Air Wireless Platform): The RES7 sensor is has the ability to communicate over the wireless nLight control platform. See page 5 for more details on the Integrated Smart Sensor.

INSTALLATION — ENVEX fits into standard 15/16" and narrow 9/16" T-grid ceiling systems. Suitable for damp location. For recessed mounting in hard ceiling applications, Drywall Grid Adapters (DGA) are available as an accessory. See Accessories section.

LISTINGS — CSA certified to meet US and Canadian standards. Intended for indoor use only. **Damp location listed. IC rated. IP5X rated. Tested in accordance with ISO 14644-1; suitable for ISO Class 5-9 positive and negative pressure clean rooms.**

DesignLights Consortium® (DLC) Premium qualified product and DLC qualified product. Not all versions of this product may be DLC Premium qualified or DLC qualified. Please check the DLC Qualified Products List at www.designlights.org/OPL to confirm which versions are qualified.

BUY AMERICAN ACT — Product with the BAA option is assembled in the USA and meets the Buy America(n) government procurement requirements under FAR, DFARS and DOT regulations. Please refer to www.acuitybrands.com/buy-american for additional information.

WARRANTY — 5-year limited warranty. This is the only warranty provided and no other statements in this specification sheet create any warranty of any kind. All other express and implied warranties are disclaimed. Complete warranty terms located at: www.acuitybrands.com/support/warranty/terms-and-conditions

NOTE: Actual Performance may differ as a result of end-user environment and application.

All values are design or typical values, measured under laboratory conditions at 25 °C.

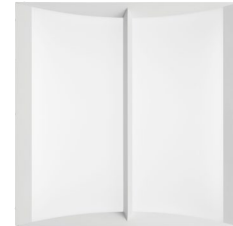
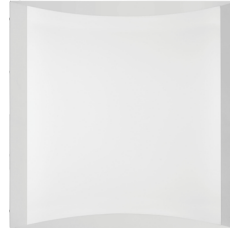
Specifications subject to change without notice.

Catalog Number
Notes
Type

ENVEX Series LED

ENVEX™

1'x4' LED, 2'x2' LED and 2'x4' LED



Specifications	Weights
Length: 23.75 (60.3), 47.75 (121.4), 47.75 (121.4)	2X2: 15 lbs
Width: 23.75 (60.3), 23.75 (60.3), 11.75 (29.7)	2X4: 22 lbs
Depth: 3.625 (9.6), 3.625 (9.6), 3.125 (7.8)	1X4: 17 lbs

All dimensions are inches (centimeters) unless otherwise specified.

Embed nLight controls today. Prepare for tomorrow.

Now	Tomorrow
User-friendly install	Scalability
Enhanced energy savings	Space configuration
Code compliance	Future-ready

A+ Capable Luminaire

This item is an A+ capable luminaire, which has been designed and tested to provide consistent color appearance and out-of-the-box control compatibility with simple commissioning.

- All configurations of this luminaire meet the Acuity Brands' specification for chromatic consistency
- This luminaire is part of an A+ Certified solution for nLight® control networks when ordered with drivers marked by a **shaded background***
- This luminaire is part of an A+ Certified solution for nLight control networks, providing advanced control functionality at the luminaire level, when selection includes driver and control options marked by a **shaded background***

To learn more about A+, visit www.acuitybrands.com/aplus.

*See ordering tree for details

ENVEX Spec Ambient

ENVEX™ elegantly integrates with every ceiling type to allow structure and style to take the lead. The seamless transition zones from both of the hourglass designs, combined with low lumen density, create the high quality of light only ENVEX™ can provide.

HRG: Hourglass Design



- Clean appearance in the ceiling plane provides design flexibility.
- Low lumen density delivers visually comfortable experience.
- Seamless transition zones & uniform illumination enables universal application.



HRGC: Hourglass with Center Spine Design



- Center Spine design allows for further design optimization on a fully luminous surface.
- Spine's geometrically perfected angle preserves uniformity across the fixture surface.
- Unified transition zones on spine and side bezels grant ease of transition between lighter and darker areas.



ORDERING INFORMATION **Example:** ENVX 2X2 HRG 3300LM 80CRI 40K MIN1 EZT MVOLT

Series	Fixture Dimension	Fixture Style	Lumens Output	CRI	Color Temperature	Minimum Dimming Level
ENVX Spec Ambient LED Troffer	1x4 1'x4'	HRG Hourglass	1500LM Nominal 1500 lumens	80CRI 80 CRI	30K 3000K	DARK Constant current, dimming to <1% ‡
		HRGC Hourglass with Center Spine	2000LM Nominal 2000 lumens	90CRI 90 CRI	35K 3500K	MIN1 Constant current, dimming to 1%
			3000LM Nominal 3000 lumens		40K 4000K	
			4000LM Nominal 4000 lumens		50K 5000K	
			4800LM Nominal 4800 lumens			
			6000LM Nominal 6000 lumens			
	7200LM Nominal 7200 lumens					
	2x2 2'x2'	2000LM Nominal 2000 lumens				MIN10 Constant current, dimming to 10%
		3300LM Nominal 3300 lumens				
		4000LM Nominal 4000 lumens				
		4800LM Nominal 4800 lumens				
		2x4 2'x4'	3000LM Nominal 3000 lumens			
4000LM Nominal 4000 lumens						
4800LM Nominal 4800 lumens						
6000LM Nominal 6000 lumens						
7200LM Nominal 7200 lumens						

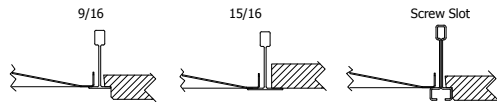
Dimming	Voltage	Step Level Dimming	Emergency Option
EZT eldoLED 0-10V Dimming ‡	MVOLT MVOLT, 120-277V	(blank) no step level dimming	E7W Emergency Battery Pack, 7W, CA Title 20 Noncompliant ‡
ZT Generic 0-10V ‡	120 120V	SLD Step-level dimming ‡	E10WLCP EM Self-Diagnostic battery pack, 10W Constant Power, Certified in CA Title 20 MAEDBS ‡
ECO Lutron Ecosystem interface ‡	277 277V		E15WLCP EM Self-Diagnostic battery pack, 15W Constant Power, Certified in CA Title 20 MAEDBS ‡
DALI DALI ‡	347 347V ‡		EMG nLight emergency option ‡
			GTD Generator Transfer Device ‡

Networked Controls ‡		Stand Alone Controls ‡	
Wireless	Wired	Individual control	
NLTAIR2 RIO nLight AIR Generation 2 enabled, radio module without sensor ‡	NIO nLight no constant lumen management	MSD7ADCX PIR Integral occupancy sensor with automatic dimming photocell	
NLTAIR2 RES7 nLight AIR Generation 2 enabled, integral occupancy sensor with automatic dimming photocell for Networking Capabilities ‡	NES7 nLight no constant lumen management, nLight nES7 PIR integral occupancy sensor	MSDPDT7ADCX PDT Integral occupancy sensor with automatic dimming photocell	
NLTAIR2 RES7PDT nLight AIR Generation 2 enabled, microphonics dual technology occupancy sensor with automatic dimming photocell ‡	NESPDT7 nLight no constant lumen management, nLight nES PDT 7 dual technology integral occupancy sensor	VTX8FOCC Vertex low-profile on/off occupancy PIR occupancy sensor with VLP programming at 8ft mounting height	
NLTAIR2 RVTX8FOCC nLight AIR Generation 2 enabled, Vertex low-profile on/off occupancy PIR occupancy sensor ‡	NES7ADCX nLight no constant lumen management, nLight nES7 ADCX PIR integral occupancy sensor with automatic dimming photocell	VTX8FADC Vertex low-profile on/off PIR occupancy sensor with auto dimming photocell with VLP programming at 8ft mounting height	
	NES7PDT7ADCX nLight no constant lumen management, nLight nES PDT 7 dual technology integral occupancy sensor with automatic dimming photocell	VTX15FOCC Vertex low-profile on/off occupancy PIR occupancy sensor with VLP programming at 15ft mounting height	
	CL80 nLight 80% constant lumen management	VTX15FADC Vertex low-profile on/off PIR occupancy sensor with auto dimming photocell with VLP programming at 15ft mounting height	
	CL80 NES7 nLight 80% constant lumen management, nLight nES7 PIR integral occupancy sensor		
	CL80 NESPDT7 nLight 80% constant lumen management, nLight nES PDT 7 dual technology integral occupancy sensor		
	CL80 NES7ADCX 80% constant lumen management, nLight nES7 ADCX PIR integral occupancy sensor with automatic dimming photocell		
	CL80 NES7PDT7ADCX nLight 80% constant lumen management, nLight nES PDT 7 dual technology integral occupancy sensor with automatic dimming photocell		
	NVTX8FOCC nLight enabled, Vertex low-profile on/off occupancy PIR occupancy sensor		

Standby Mode	Options
NOC NOC Occupancy sensor disabled ‡	GLR Fast-blowing fuse ‡
	GMF Slow-blowing fuse ‡
	PWS1836 6' pre-wire, 18 gauge, 3/8" dia., 3 wire - 1 circuit
	PWS1846 6' pre-wire, 18 gauge, 3/8" dia., 4 wire - 2 circuit
	PWS1846 PWSLV Two cables: one 6' pre-wire, 3/8" diameter, 18 gauge, 2 circuits; one 6' pre-wire, 3/8" diameter, 18 gauge ‡
	PWS1856LV 6' pre-wire, 18 gauge, 3/8" dia., 5 wire - 1 circuit w/ low voltage wires ‡
	CP Chicago plenum approved ‡
	RRLA RELOC®-Ready Luminaire (RRL) connectors. Driver wired to pin position #1 (120V, 277V, 347V - Phase A)
	RRLAB RELOC®-Ready Luminaire (RRL) connectors. Driver wired to pin position #2 (120V, 277V, 347V - Phase A)
	RRLAE RELOC®-Ready Luminaire (RRL) connectors. Driver wired to pin position #1 (120V, 277V, 347V - Phase A). Emergency driver wired to pin position #2 (120V, 277V, 347V - Phase B)
DWAM Anti-microbial paint	
LATC T-bar clips	
BAA Buy America(n) Act Compliant	

NOTE: ‡ indicates option value has ordering restrictions. Please reference the Option Value Ordering Restrictions chart on the next page.

Option Value Ordering Restrictions ‡	
Option Value	Restriction
DARK	Not available with networked or Stand Alone controls
EZT	Not available with MIN10
ZT	Not available with DARK
ECO	Not available with MIN10 or with networked or wired controls
DALI	Not available with: MIN10 or MIN1 or with an networked or wired controls
347	Not available with: E7W, E10WLCP, E15WLCP, SLD, GTD, GLR, GMF, ECO
SLD	Not available with 7200LM. Not available with any controls. Must select MIN10. Leave Dimming section blank
E7W	Not available with 347V
E10WLCP	Not available with 347V
E15WLCP	Not available with: 2X2 or 347V
EMG	Not available with: 1500LM, 2000LM. Leave Dimming section blank. Must select a Networked Control
GTD	Must select 120 OR 277, Not available with 347V or MVOLT
NETWORKED CONTROLS	Not available with DARK or MIN10. Leave Dimming section blank. Not available with STAND ALONE CONTROLS or SLD. Solutions with Integrated sensor will have a temporary extended lead time. Consult Factory.
STAND ALONE CONTROLS	Not available with DARK or MIN10. Leave Dimming section blank. Not available with NETWORK CONTROLS or SLD. Solutions with Integrated sensor will have a temporary extended lead time. Consult Factory.
NLTAIR2 RES7, RES7PDT, RIO	See UL924 Sequence of Operation chart on page 4. Can be used as a normal power sensing device for nLight AIR devices and luminaires with EM emergency options.
NOC	Must select a Wireless Network Control
GLR	Must select 120 or 277
GMF	Must select 120 or 277
PWS1846 PWSLV, PWS1856LV	Not available with nLight wired network or individual controls
PS1055LCP	Field installable only on the 1X4 and 2X4 version of the ENVX
BAA	Not available with ECO, DALI, SLD, RVTX8FOCC, NVTX8FOCC, VT8FOCC, VTX8FADC, VTX15FOCC or VTX15FADC
CP	Not available with NLIGHT wired network or individual controls, PWS1836, PWS1846, PWS1846 PWSLV or PWS1856LV



*DGA accessory available to provide ceiling trim flange and fixture support for plaster or plasterboard ceiling. Recommended rough-in dimensions for DGA installation is 24-3/4" x 24-3/4" (Tolerance is +1/8", -0").

UL924 Sequence of Operation

The below information applies to all nLight AIR devices with an EM option.

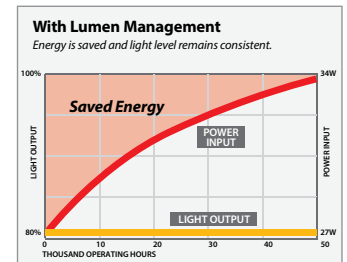
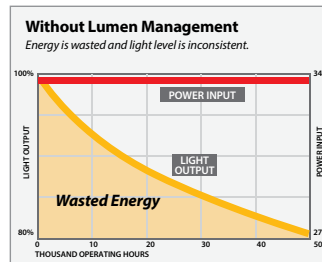
- EM devices will remain at their high-end trim and ignore wireless lighting control commands, unless a normal-power-sensed (NPS) broadcast is received at least every 8 seconds.
- Using the CLAIRITY+ mobile app, EM devices must be associated with a group that includes a normal power sensing device to receive NPS broadcasts
- Only non-emergency rPP20, rLSXR, rSBOR, rSDGR, and nLight AIR luminaires with version 3.4 or later firmware can provide normal power sensing for EM devices. See specification sheets for control devices and luminaires for more information on options that support normal power sensing.

Accessories

Accessories: Order as separate catalog number.	
DGA14	Drywall grid adapter for 1x4 recessed fixture.
DGA22	Drywall grid adapter for 2x2 recessed fixture.
DGA24	Drywall grid adapter for 2x4 recessed fixture.
ENVX TGRID CLIP J4	Pack of 4 grid clips for 9/16" T grid compatibility.
ENVX TGRID CLIP J50	Pack of 50 grid clips for 9/16" T grid compatibility.
PS1055LCP M5	Field installable, not available with 347V. See restriction note above. ‡
1X4SMKSH PAF	Multi-Use Surface Mount Kit 1X4 Post-Paint
2X2SMKSH PAF	Multi-Use Surface Mount Kit 2x2 Post-Paint
2x4SMKSH PAF	Multi-Use Surface Mount Kit 2x4 Post-Paint

Constant Lumen Management

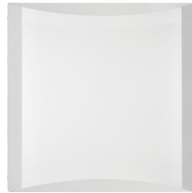
Enabled by the embedded nLight control, the ENVX actively tracks its run-time and manages its light source such that constant lumen output is maintained over the system life. Referred to as lumen management, this feature eliminates the energy waste created by the traditional practice of over-lighting.



Emergency Battery Pack Options - Field Installable

Battery Model Number	Wattage	Runtime (Minutes)	Lumen Output* @ 120 Lumens/Watt	Other
ILB CP07 2H A	7W	120	840	Storm Shelter/ 2-hour Runtime
ILB CP10 A	10W	90	1200	
ILB CP10 HE AELR A	10W	90	1200	Title 20; Enabled with Self Testing, Automated Reporting (STAR)
ILBLP CP10 HE SD A	10W	90	1200	Title 20, Self Diagnostic
ILBLP CP15 HE SD A	15W	90	1800	Title 20, Self Diagnostic
ILB CP20 HE A	20W	90	2400	Title 20
ILB CP20 HE SD A	20W	90	2400	Title 20, Self Diagnostic

All the above are UL 924 Listed products that are certified for field install external/remote to the fixture.
 *Minimum delivered lumen output to assist in product selection for increased fixture mounting height.
 Delivered emergency illumination of CP10 models outperforms legacy 1400 lumen fluorescent emergency ballasts.
 Please contact us at techsupport@iotaengineering.com for any Emergency Battery related questions.



Field Installed Emergency LED Driver



ILB CP10 HE AELR A

Compliance Just Got Easier!

Emergency Lighting with Self Testing Automated Reporting (STAR), enables self-testing and automated reporting to aid in life safety code compliance. Emergency lighting equipment enabled with STAR, automatically conducts the required monthly and annual tests, logs results within the units, and wirelessly communicates test data on demand to the CLARITY+ mobile app. **Leave the ladders, disruptions and written records behind with emergency lighting solutions with STAR!**

Life Safety Code (NFPA101) Testing & Reporting Requirements

- 30 seconds every 30 days
- 90 minutes every year
- Keep records for 5 years

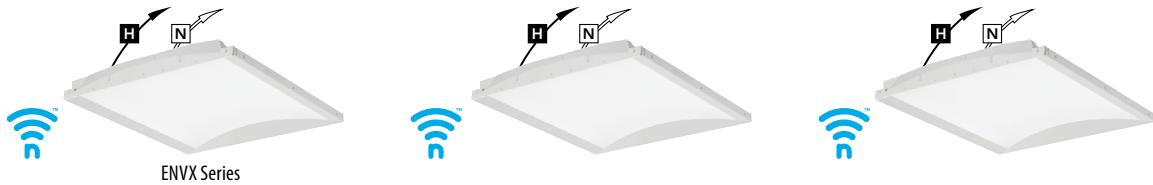


ENVEX Spec Ambient

nLight Platform

nLight embedded fixtures offer:	Customers get:
Manual Dimming	Convenience and visual comfort for occupants
Motion Sensing and/or Daylight Harvesting	Energy savings and code compliance
Fixture or Group Level Control	Ability to configure lighting to the space requirements
Flexibility	Ease of fixture moves, adds and changes
Wireless Wall Switch (nLight AIR Only)	Ease and flexibility of placement
Astronomical and Time of Day Scheduling	Energy savings and building security
Scalable Solution	nLight controls to grow with your business
Future-Ready	nLight platform to set foundation for future upgrades and capabilities

nLight Air Wireless

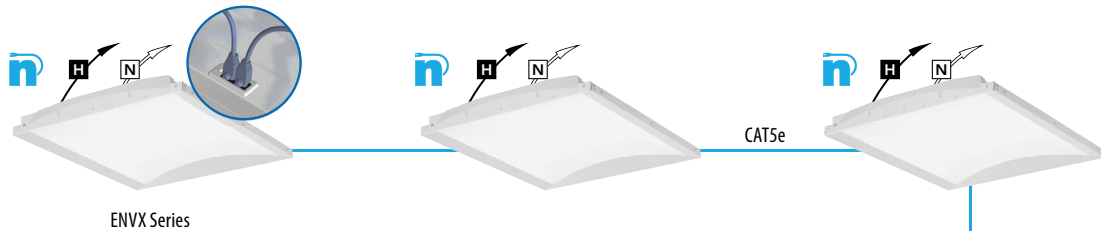


Simple as 1,2,3

1. Install the nLight® AIR fixtures with embedded smart sensor
2. Install the wireless battery-powered wall switch
3. With the CLAIRITY+ Pro app, pair the fixtures with the wall switch and if desired, customize the sensor settings for the desired outcome



nLight Wired Networking



Simple as 1,2,3

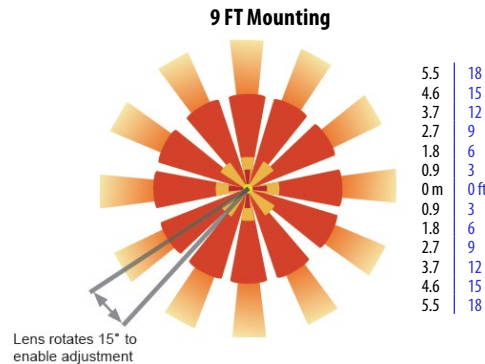
1. Install the nLight® Wired fixtures with embedded control
2. Install the nLight Wired wall switch
3. Connect the fixtures using standard CAT5e cables and the devices will automatically discover each other and work (plug and play)



Sensor Options					
Option	Automatic Dimming Photocell	Occupancy Sensing		nLight Wired Networking	nLight AIR Networking
		PIR	PDT		
MSD7ADCX	X	X			
MSDPDT7ADCX	X		X		
NES7		X		X	
NES7ADCX	X	X		X	
NESPDT7			X	X	
NESPDT7ADCX	X		X	X	
RES7	X	X			X
RESPDT7	X	X	X		X

Sensor Coverage Pattern Mini 360° Lens

- Recommended for walking motion detection from mounting heights between 8 ft (2.44 m) and 20 ft (6.10 m)
- Initial detection of walking motion along sensor axes at distances of 2x the mounting height up to 15 ft (4.57 m) and 1.75x up to 20 ft (6.10 m).
- Provides 12 ft (3.66 m) radial detection of small motion when mounted at 9 ft (2.74 m)
- Initial detection will occur earlier when walking across sensor's field of view than when walking directly at sensor



Integrated Sensor with Individual Control

The MSD7ADCX PIR occupancy sensor/automatic dimming photocell is ideal for areas without obstructions and where daylight harvesting may be desired. Suggested applications include, but not limited to, hallways, corridors, storage rooms, and breakrooms or other areas where people are typically moving.

The MSPDT7ADCX PIR/Microphonics Dual Tech occupancy sensor/automatic dimming photocell is ideal for areas with obstructions and where daylight harvesting is desired. Suggested applications include, but not limited to, open offices, private offices, classrooms, public restrooms, and conference rooms.

nLight AIR Wireless

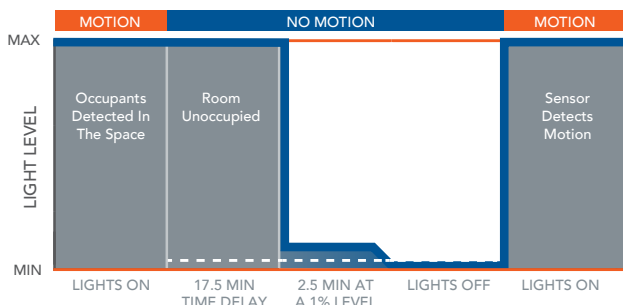
nLight AIR is the ideal solution for retrofit or new construction spaces where adding additional wiring can be labor intensive and nLight AIR is available with or without an integral sensor. The integrated rES7 or rES7PDT smart sensors are part of each luminaire in the nLight AIR network, which can be grouped to control multiple luminaires. The granularity of control with the digital PIR occupancy detection and daylight sensing makes a great solution for any application.

nLight Wired Networking

The nES 7 is ideal for small rooms without obstructions or areas with primarily walking motion. Ideal areas include hallways, corridors, storage rooms, and breakrooms. Additionally, the nES7ADCX includes an integrated photocell, which enables daylight harvesting controls.

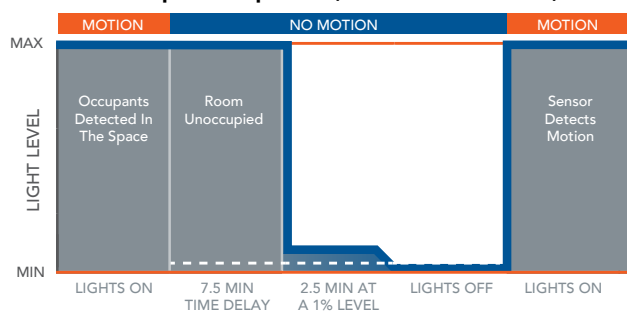
For areas like restrooms, private offices, open offices, conference rooms or any space with obstructions, the nES PDT 7 dual technology sensor is recommended. The nES PDT 7 utilizes both PIR (passive infrared) and Microphonics technologies to detect occupancy. Additionally, the nESPDT7ADCX includes an integrated photocell, which enables daylight harvesting controls which is ideal for areas where windows are present.

Sequence of Operation (MSD7 Sensor)



*The presetting on the automatic dimming photocell is 5fc.

Sequence of Operation (nES7 and rES7 and Sensor)



*The presetting on the automatic dimming photocell is 5fc (NES7) and 10fc (RES7).

ENVEX Spec Ambient

Controls Accessories

nLight® Wired Control Accessories:

Order as separate catalog number. Visit www.acuitybrands.com/products/controls/nlight.

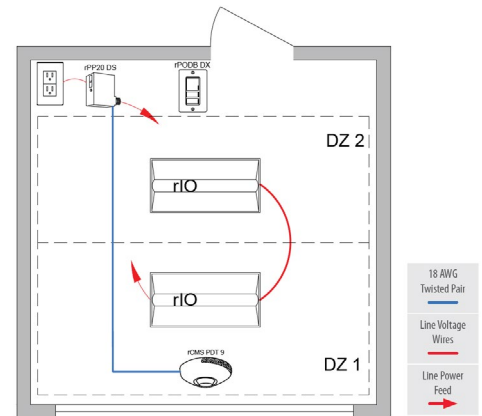
WallPod stations	Model number	Occupancy sensors	Model number
On/Off	nPODMA [Color]	Small motion 360°, ceiling (PIR / dual tech)	nCM 9 RJB / nCM PDT 9 RJB
On/Off & raise/lower	nPODMA DX [Color]	Large motion 360°, ceiling (PIR / dual tech)	nCM10 RJB / nCM PDT 10 RJB
Graphic touchscreen	nPOD TOUCH [Color]	Wall switch with raise/lower	nWSX PDT LV DX [color]
Photocell controls	Model number	Cat-5 cable (plenum rated)	Model number
Full range dimming	nCM ADCX RJB	10' cable	CATS 10FT J1
		30' cable	CATS 30FT J1

nLight® AIR Control Accessories:

Order as separate catalog number. Visit www.acuitybrands.com/products/controls/nlightair.

Wall switches	Model number
On/Off single pole	rPODBA [color] G2
On/Off two pole	rPODBA 2P [color] G2
On/Off & raise/lower single pole	rPODBA DX [color] G2
On/Off & raise/lower two pole	rPODBA 2P DX [color] G2
Occupancy/Daylighting Sensor	Model number
Small Motion 360, Ceiling	rCMSB 7 G2

ENVEX fixtures with integrated rIO devices complement any small office space. Pair them with an rCMS occupancy sensor and the space now has wireless occupancy sensing and dimming capability. For additional configuration options please consult with Tech Support.



rCMS		Example: RCMSB 7 G2	
Series / Detection	Detection	Lens	Generation
RCMSB nLight AIR occupancy and daylight sensor	[blank] PIR Detection	7 Low Mount 360 45 High Mount 360° 45A High Mount Aisleway	G2 Generation 2 compatibility



Sensor Switch
WSX



nLight WIRED
nPOD UNITOUCH



nLight WIRED
nPODMA DX



nLight AIR
rPODBA



ENVX



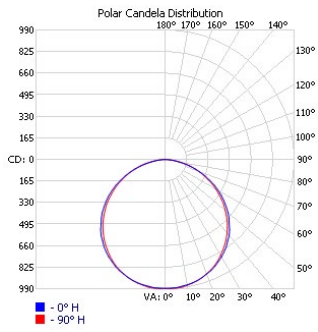
rPODBA



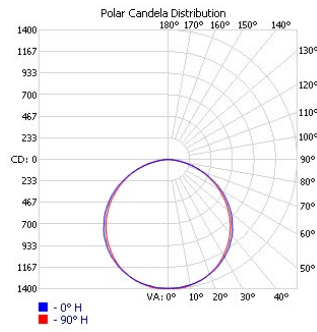
RCMSB

PHOTOMETRICS

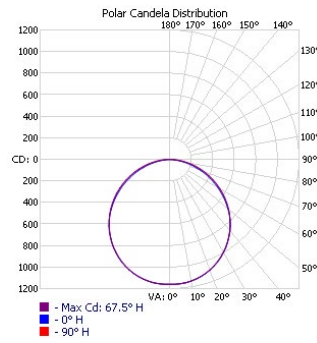
ENVX 1X4 HRG 3000LM 80CRI 35K



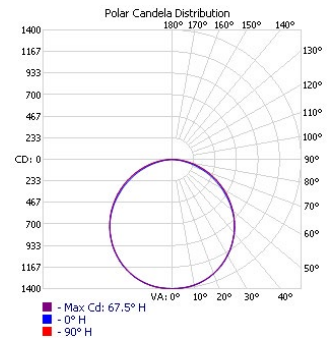
ENVX 1X4 HRG 4000LM 80CRI 35K



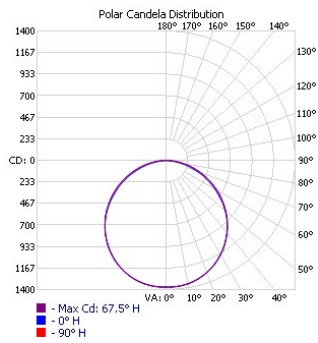
ENVX 2X2 HRG 3300LM 80CRI 35K



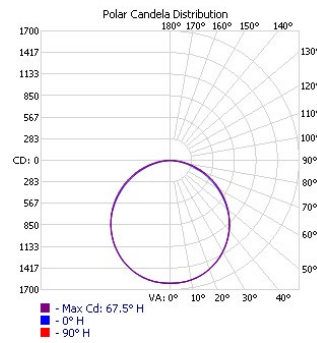
ENVX 2X2 HRG 4000LM 80CRI 35K



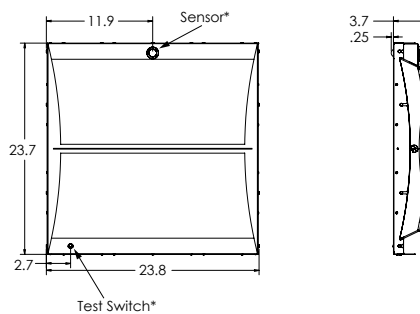
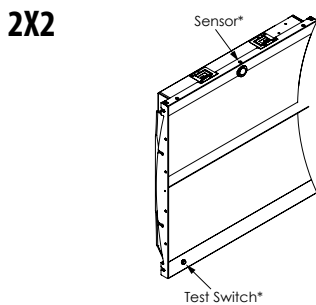
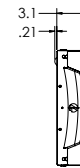
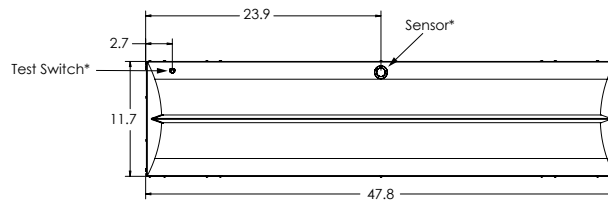
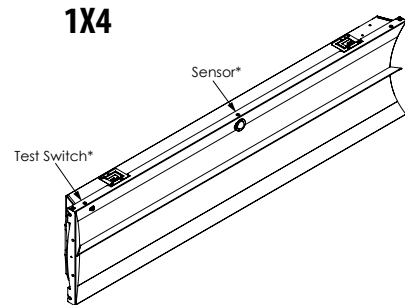
ENVX 2X4 HRG 4000LM 80CRI 35K



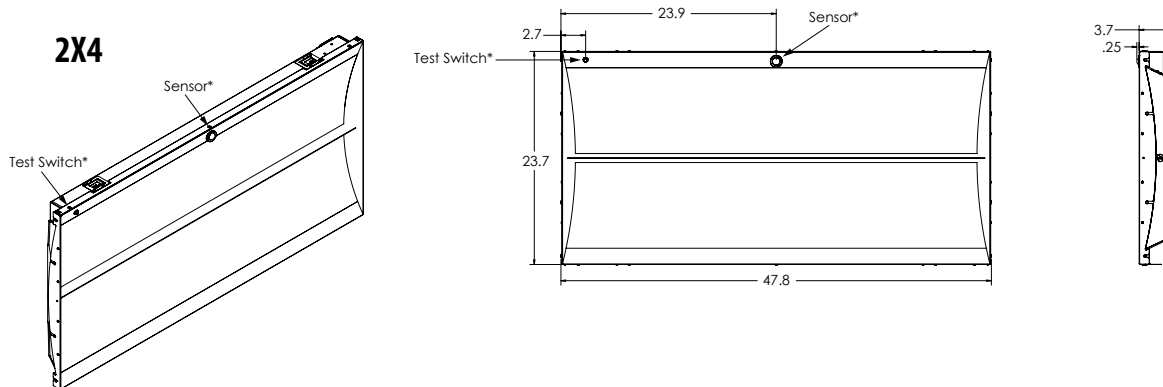
ENVX 2X4 HRG 4800LM 80CRI 35K



DIMENSIONS



DIMENSIONS



*Location when fixture is ordered with emergency battery or integral sensor

UGR Values of ENVX 1x4 @ 80CRI and 3500K (70% 50% 20% reflectance using a 4H x 8H room size)					UGR Values of ENVX 1x4 @ 90CRI and 3500K (70% 50% 20% reflectance using a 4H x 8H room size)				
Lumen Package	HRG		HRGC		Lumen Package	HRG		HRGC	
	Crosswise	Endwise	Crosswise	Endwise		Crosswise	Endwise	Crosswise	Endwise
1500LM	17.7	17.7	17.5	16.8	1500LM	17.2	17.1	17	16.3
2000LM	18.8	18.8	18.5	17.8	2000LM	18.3	18.3	18	17.3
3000LM	20	20	19.9	19.2	3000LM	19.5	19.4	19.4	18.7
4000LM	21.2	21.2	20.9	20.2	4000LM	20.7	20.7	20.4	19.7
4800LM	21.8	21.8	21.5	20.8	4800LM	21.3	21.3	21	20.3
6000LM	22.3	22.3	22.5	21.8	6000LM	21.8	21.8	22	21.3
7200LM	23.3	23.3	23.1	22.4	7200LM	22.8	22.7	22.6	21.9

*UGR varies based on luminaire options and is affected by application dependent parameters. Numbers depicted here are considered "Luminaire-UGR and/or "Point-UGR" values. To determine a more precise maximum UGR value ("Application-UGR"), a full lighting design layout should be completed with the selected luminaire configuration for each application.

UGR Values of ENVX 2x2 @ 80CRI and 3500K (70% 50% 20% reflectance using a 4H x 8H room size)					UGR Values of ENVX 2x2 @ 90CRI and 3500K (70% 50% 20% reflectance using a 4H x 8H room size)				
Lumen Package	HRG		HRGC		Lumen Package	HRG		HRGC	
	Crosswise	Endwise	Crosswise	Endwise		Crosswise	Endwise	Crosswise	Endwise
2000LM	18.3	19	18.2	18.3	2000LM	17.8	18.4	17.7	17.8
3300LM	20.1	20.8	20.1	20.2	3300LM	19.6	20.3	19.6	19.7
4000LM	20.8	21.5	20.7	20.8	4000LM	20.3	21	20.2	20.3
4800LM	21.4	22.1	21.4	21.5	4800LM	20.9	21.6	20.8	21

*UGR varies based on luminaire options and is affected by application dependent parameters. Numbers depicted here are considered "Luminaire-UGR and/or "Point-UGR" values. To determine a more precise maximum UGR value ("Application-UGR"), a full lighting design layout should be completed with the selected luminaire configuration for each application.

UGR Values of ENVX 2x4 @ 80CRI and 3500K (70% 50% 20% reflectance using a 4H x 8H room size)					UGR Values of ENVX 2x4 @ 90CRI and 3500K (70% 50% 20% reflectance using a 4H x 8H room size)				
Lumen Package	HRG		HRGC		Lumen Package	HRG		HRGC	
	Crosswise	Endwise	Crosswise	Endwise		Crosswise	Endwise	Crosswise	Endwise
3000LM	17.2	17.9	17.1	17.2	3000LM	16.7	17.3	16.6	16.7
4000LM	18.3	19	18.4	18.6	4000LM	17.8	18.4	17.9	18
4800LM	18.8	19.5	18.9	19	4800LM	18.3	19	18.3	18.5
6000LM	19.6	20.3	19.6	19.7	6000LM	19.1	19.8	19	19.2
7200LM	20.1	20.8	20.4	20.5	7200LM	19.6	20.3	19.8	20

*UGR varies based on luminaire options and is affected by application dependent parameters. Numbers depicted here are considered "Luminaire-UGR and/or "Point-UGR" values. To determine a more precise maximum UGR value ("Application-UGR"), a full lighting design layout should be completed with the selected luminaire configuration for each application.

Performance Data			
Catalog Number	Delivered Lumens	Input Watts	Lumens/Watt
ENVX 1X4 HRG 1500LM 80CRI 35K	1516	12	125
ENVX 1X4 HRG 1500LM 90CRI 35K	1308	12	107
ENVX 1X4 HRG 2000LM 80CRI 35K	2097	17	127
ENVX 1X4 HRG 2000LM 90CRI 35K	1809	17	109
ENVX 1X4 HRG 3000LM 80CRI 35K	2948	24	125
ENVX 1X4 HRG 3000LM 90CRI 35K	2543	24	108
ENVX 1X4 HRG 4000LM 80CRI 35K	4169	33	125
ENVX 1X4 HRG 4000LM 90CRI 35K	3596	33	108
ENVX 1X4 HRG 4800LM 80CRI 35K	5019	41	123
ENVX 1X4 HRG 4800LM 90CRI 35K	4329	41	106
ENVX 1X4 HRG 6000LM 80CRI 35K	5785	51	114
ENVX 1X4 HRG 6000LM 90CRI 35K	4990	51	98
ENVX 1X4 HRGC 1500LM 80CRI 35K	1448	12	119
ENVX 1X4 HRGC 1500LM 90CRI 35K	1249	12	103
ENVX 1X4 HRGC 2000LM 80CRI 35K	1937	18	109
ENVX 1X4 HRGC 2000LM 90CRI 35K	1671	18	94
ENVX 1X4 HRGC 3000LM 80CRI 35K	2878	24	122
ENVX 1X4 HRGC 3000LM 90CRI 35K	2483	24	105
ENVX 1X4 HRGC 4000LM 80CRI 35K	3891	33	116
ENVX 1X4 HRGC 4000LM 90CRI 35K	3357	33	100
ENVX 1X4 HRGC 4800LM 80CRI 35K	4626	41	113
ENVX 1X4 HRGC 4800LM 90CRI 35K	3991	41	98
ENVX 1X4 HRGC 6000LM 80CRI 35K	6085	53	114
ENVX 1X4 HRGC 6000LM 90CRI 35K	5250	53	98
ENVX 1X4 HRG 7200LM 80CRI 35K	7601	65	117
ENVX 1X4 HRG 7200LM 90CRI 35K	6557	65	101
ENVX 1X4 HRGC 7200LM 80CRI 35K	7302	65	113
ENVX 1X4 HRGC 7200LM 90CRI 35K	6299	65	97
ENVX 2X2 HRG 2000LM 80CRI 35K	1994	17	115
ENVX 2X2 HRG 2000LM 90CRI 35K	1720	17	99
ENVX 2X2 HRG 3300LM 80CRI 35K	3411	30	114
ENVX 2X2 HRG 3300LM 90CRI 35K	2943	30	99

Performance Data			
Catalog Number	Delivered Lumens	Input Watts	Lumens/Watt
ENVX 2X2 HRG 4000LM 80CRI 35K	4112	36	113
ENVX 2X2 HRG 4000LM 90CRI 35K	3547	36	98
ENVX 2X2 HRG 4800LM 80CRI 35K	4943	45	109
ENVX 2X2 HRG 4800LM 90CRI 35K	4264	45	94
ENVX 2X2 HRGC 2000LM 80CRI 35K	1914	17	110
ENVX 2X2 HRGC 2000LM 90CRI 35K	1651	17	95
ENVX 2X2 HRGC 3300LM 80CRI 35K	3319	30	110
ENVX 2X2 HRGC 3300LM 90CRI 35K	2863	30	95
ENVX 2X2 HRGC 4000LM 80CRI 35K	3946	36	109
ENVX 2X2 HRGC 4000LM 90CRI 35K	3404	36	94
ENVX 2X2 HRGC 4800LM 80CRI 35K	4766	45	105
ENVX 2X2 HRGC 4800LM 90CRI 35K	4111	45	91
ENVX 2X4 HRG 3000LM 80CRI 35K	2933	23	126
ENVX 2X4 HRG 3000LM 90CRI 35K	2530	23	108
ENVX 2X4 HRG 4000LM 80CRI 35K	4036	33	122
ENVX 2X4 HRG 4000LM 90CRI 35K	3481	33	105
ENVX 2X4 HRG 4800LM 80CRI 35K	4748	40	117
ENVX 2X4 HRG 4800LM 90CRI 35K	4096	40	101
ENVX 2X4 HRG 6000LM 80CRI 35K	5908	50	117
ENVX 2X4 HRG 6000LM 90CRI 35K	5097	50	101
ENVX 2X4 HRG 7200LM 80CRI 35K	6831	58	118
ENVX 2X4 HRG 7200LM 90CRI 35K	5893	58	102
ENVX 2X4 HRGC 3000LM 80CRI 35K	2834	23	121
ENVX 2X4 HRGC 3000LM 90CRI 35K	2445	23	104
ENVX 2X4 HRGC 4000LM 80CRI 35K	4168	36	117
ENVX 2X4 HRGC 4000LM 90CRI 35K	3596	36	101
ENVX 2X4 HRGC 4800LM 80CRI 35K	4693	41	116
ENVX 2X4 HRGC 4800LM 90CRI 35K	4049	41	100
ENVX 2X4 HRGC 6000LM 80CRI 35K	5739	51	113
ENVX 2X4 HRGC 6000LM 90CRI 35K	4951	51	98
ENVX 2X4 HRGC 7200LM 80CRI 35K	7223	64	112
ENVX 2X4 HRGC 7200LM 90CRI 35K	6231	64	97

Emergency Battery Estimated Lumens

Use the formula below to estimate the delivered lumens in emergency mode

$$\text{Estimated Lumens} = 1.25 \times P \times LPW$$

P = Output power of emergency driver (10W for PS1055CP)

LPW = Lumen per watt rating of the luminaire.