

AXOR Citterio M
Diverter Trim Trio/Quattro

Finishes : **brushed nickel** Part no. : **34934821**



Description

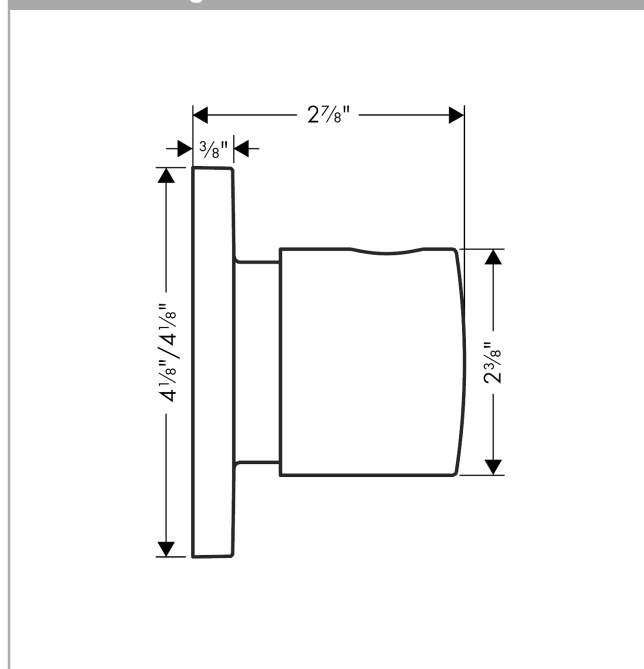
Features

- Handle, Sleeve, Metal escutcheon

Product image



Scale drawing



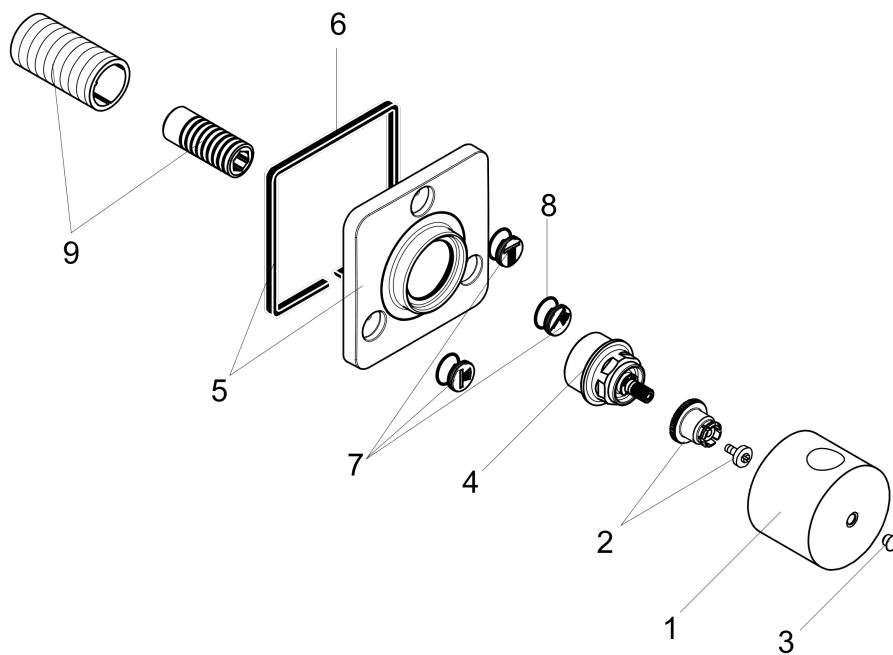
AXOR Citterio M
Diverter Trim Trio/Quattro
Finishes : **brushed nickel**

Part no. : **34934821**



Exploded drawing

Year of production: >06/09



AXOR Citterio M
Diverter Trim Trio/Quattro
 Finishes : **brushed nickel**

Part no. : **34934821**



Spare parts list

Year of production: >06/09

Pos.	Description	Part no.	PC	PU
1	handle	38993821	0	1
2	handle fixing set	94184001	0	1
3	cover cap	96541001	0	1
4	nut	96489820	0	1
5	escutcheon	98963820	0	1
6	seal	97737000	0	1
7	set of symbols	95238820	0	1
8	O-ring 13x2	98128000	0	1
9	fixing set	96392000	0	1
a	extension 25 mm	96370000	0	1
b	base body	15930181	0	1
c	base body	15936181	0	1
d	base body	15984181	0	1
e	base body	15981181	0	1