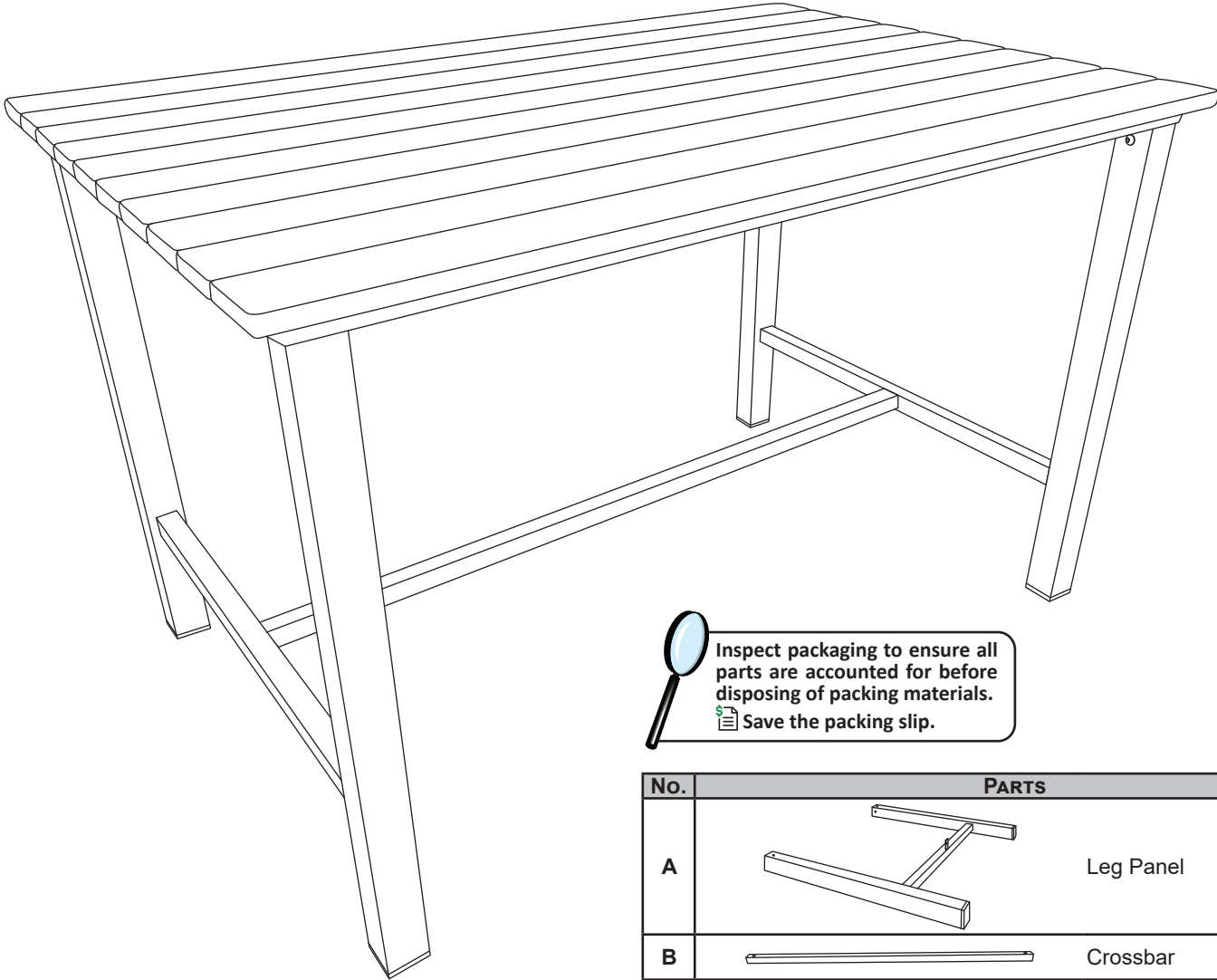




Thank you for choosing Sunnydaze Decor. We stand behind our brand and the quality of the items we sell. Replacement parts or products will be sent at our discretion within the 1-year warranty period. Proof of purchase, with the date of purchase as well as photos of the merchandise defect, must be provided. Photos are used to determine the cause of defects and for future quality control. Register your warranty at <https://tiny.cc/SunnydazeWarranty>. If you have any questions, comments or concerns, feel free to contact us by phone at 833-982-1977, by email: customerservice@sunnydazedecor.com, or via our contact us page at <https://tiny.cc/SunnydazeContact>

WOOD DINING TABLE

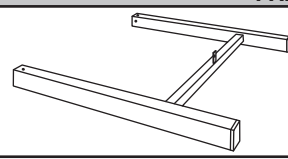

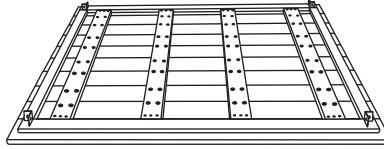


DMR-935

Read all assembly and care instructions carefully before using this product. Save this manual for future reference.
Assemble components on a soft, clean surface to avoid damaging the finish.



 Inspect packaging to ensure all parts are accounted for before disposing of packing materials.
 Save the packing slip.

! WARNING !
CHOKING HAZARD — This item contains small parts that can be swallowed. Keep children and pets away during assembly.

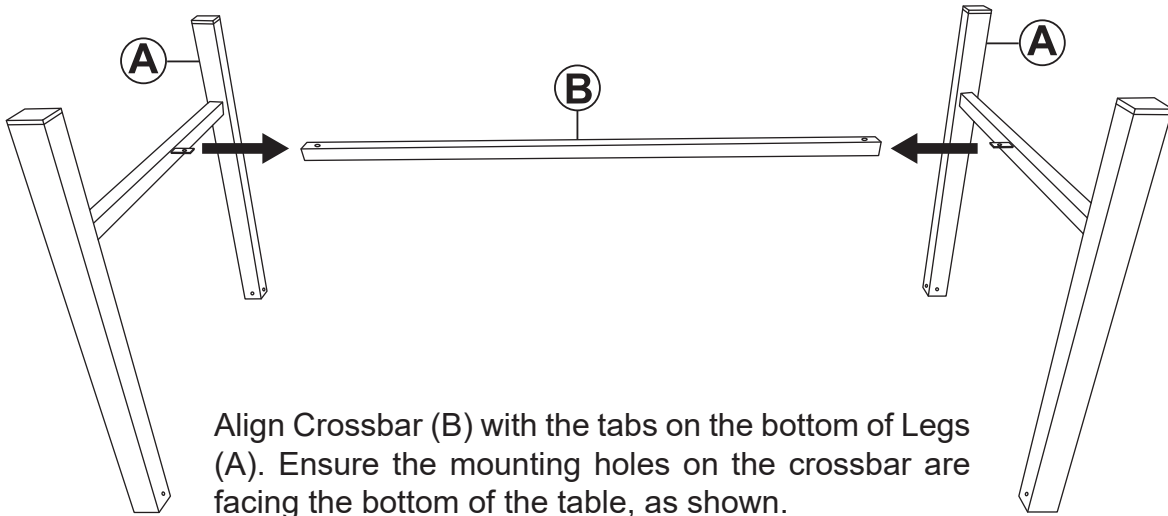
No.	PARTS		QTY.
A		Leg Panel	2
B		Crossbar	1
C		Tabletop	1
D		M8x16mm Bolt	10
E		Hex Key	1

NOTE: Over time, and with use, the bolts may become loose. Save the included tool for tightening loosened hardware.

ASSEMBLY

STEP 1

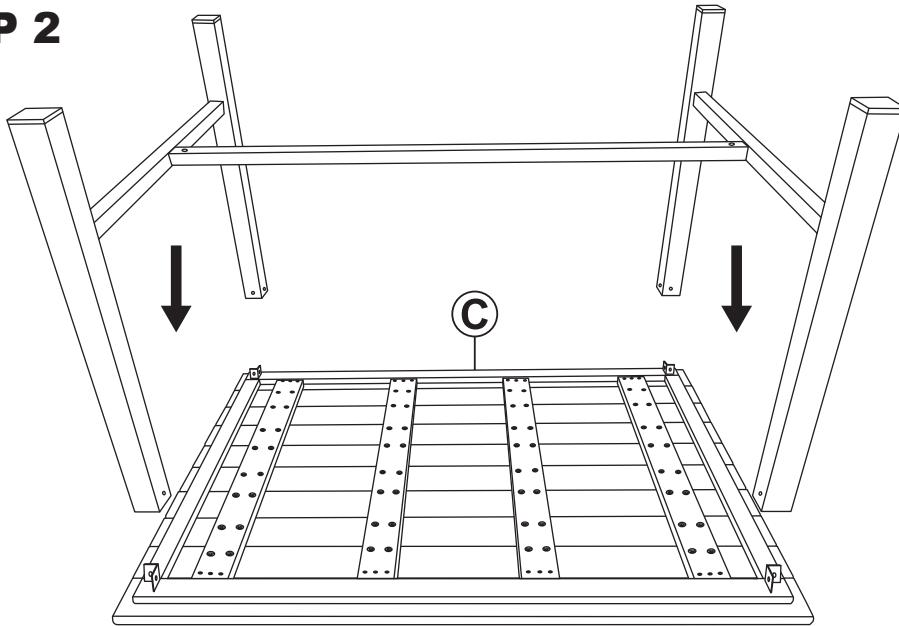
A: 2
B: 1



Align Crossbar (B) with the tabs on the bottom of Legs (A). Ensure the mounting holes on the crossbar are facing the bottom of the table, as shown.

STEP 2

C: 1

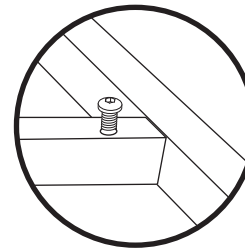
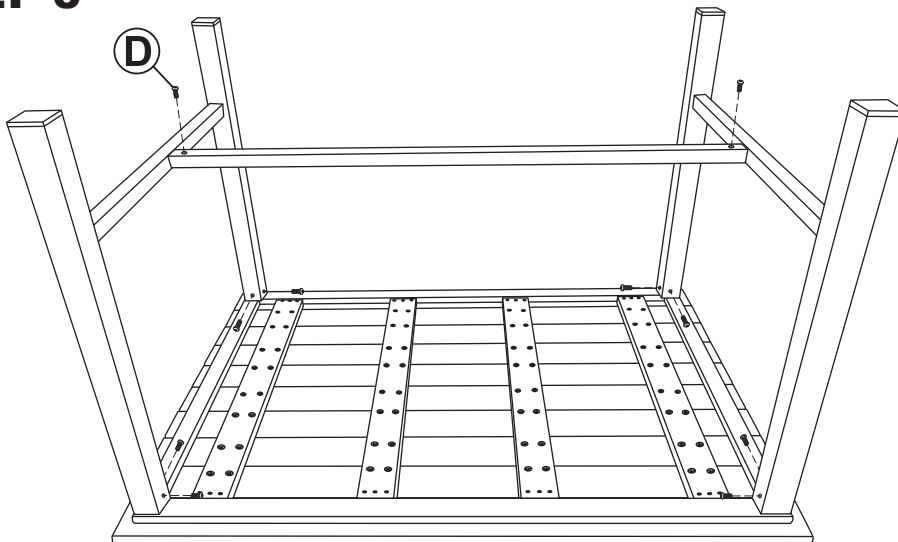


Lay Tabletop (C) facedown on a soft, clean surface.

Firmly holding the legs and crossbar together, place the legs over the tabs on the bottom of the tabletop.

STEP 3

D: 10



TIP:

To maximize evenness, do not fully tighten any individual bolt before moving onto the next. Gradually tighten each bolt until all bolts are evenly secured.

Secure the crossbar to the legs using two M8x16mm Bolts (D). Then, secure each leg to the tabletop using two M8x16mm Bolts (D).



Care & Maintenance

SAFE USE: For residential use only. Only use on a flat, level surface. Never sit or stand on any part of this unit.

CLEAN OFTEN: Use a damp cloth to clean as needed. Dry with a soft cloth. Never use harsh chemicals or abrasive materials to clean this item.

INSPECT: Periodically check hardware and tighten as necessary.

Protect: Always wipe up moisture promptly and dry with a soft cloth. Avoid dragging sharp or rough objects across the surface of your wood furniture. Use coasters to protect the tabletop. Avoid direct contact with products that may react with or can stain the wood, including, but not limited to, rubber bumper pads, glass containers, candle wax, and outdoor heating sources.

EXPOSURE: Over time, sunlight and weather elements may change the color of natural wood. Avoid leaving wooden furniture in the rain or high-humidity climates as wood can expand and contract with humidity changes; you may need to tighten fittings periodically. If this item is not used for extended periods, we recommend covering or storing it indoors.

WINTER CARE & STORAGE: Cover and store furniture indoors during the winter to protect it from ice and snow. Doing so will preserve the appearance and integrity of the unit.

SAFETY STATEMENTS & WARNINGS

- Do not stand on any part of this unit.
- Do not exceed the weight capacity of the unit.
- Do not put hot items on or near furniture.
- Keep furniture a safe distance from heat sources such as fire pits, patio heaters, and grills.
- Do not use harsh chemicals or abrasive materials to clean this unit.
- This product is for residential use only; institutional or commercial use will automatically void the product warranty.

Any modification to the product or failure to follow recommended care will void the product warranty.

If you experience issues with assembly or the product was damaged during shipping, please contact our customer service team through one of the methods mentioned at the top of page 1.

Please have the item number and order information ready to expedite response time.

WARNING!

Manufacturer and seller expressly disclaim any and all liability from personal injury, property damage or loss, whether direct or indirect, or incidental, resulting from the incorrect attachment, improper use, inadequate maintenance, or neglect of this product.