

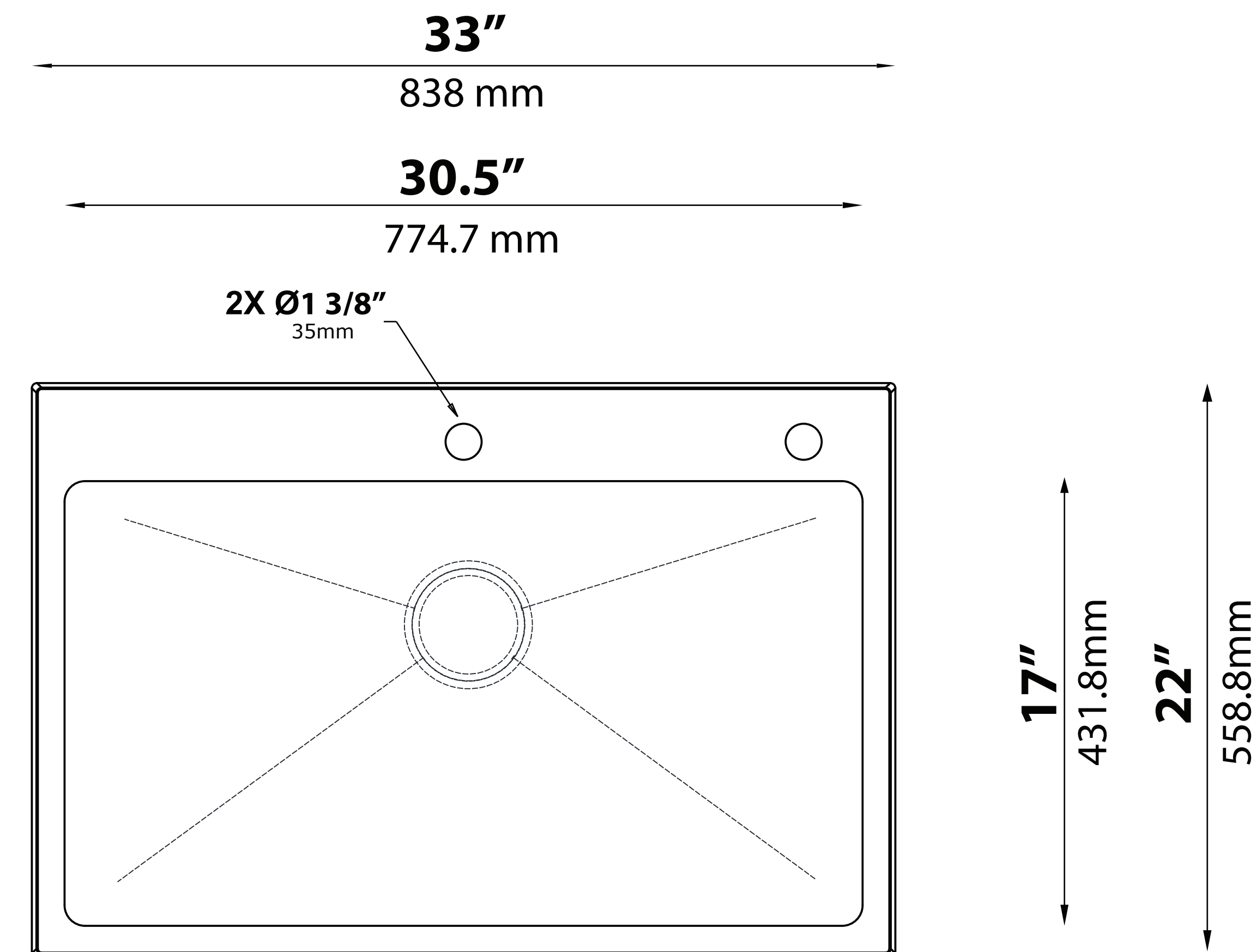
# Kräus<sup>®</sup>

www.kraususa.com

**Model No.**  
**KHT6N0-33**

**Top Mount Cut-out**

Pro Hotline: 516.801.8955  
Customer Service: 800.775.0703



**NOTES:**

- 1.The "N" in the Model Number refers to the drain location.
- 2.Cutout template is provided as a guide **ONLY** and must be checked against actual sink to verify correct fit.

