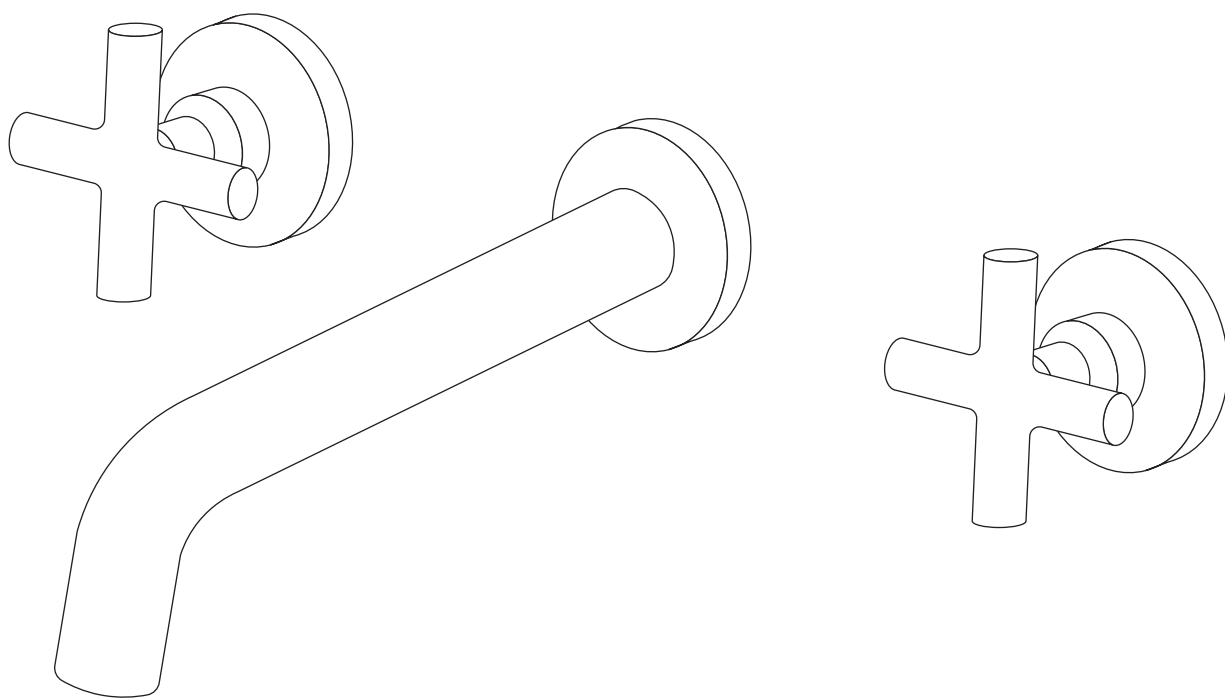


Wall-Mount Bathroom Faucet INSTALLATION INSTRUCTIONS

Swiss Madison®
well made forever



@SwissMadison
#WellMadeForever





PRIOR TO INSTALLATION:

- Inspect faucet to ensure no damages have occurred while in shipping.
- Observe all plumbing and building codes in accordance with your state and local requirements.
- All dimensions are nominal! Be sure to measure your faucet prior to installation.
- The step-by-step guidelines in the installation instructions are a general reference. Should there be any discrepancies, Swiss Madison cannot be held liable. It is recommended to install all Swiss Madison products by hiring a licensed professional.
- Read installation and maintenance instructions thoroughly before installing. Be sure to use proper tools and always wear proper personal safety accessories for your protection.

If you have any questions or concerns please contact us:

1-434-623-4766

info@swissmadison.com

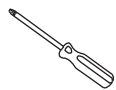
SUGGESTED TOOLS & MATERIALS:



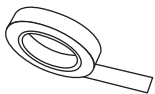
Safety Glasses



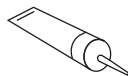
Wrench



Screwdriver

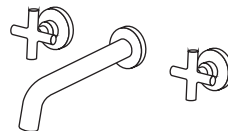


Pipe Tape

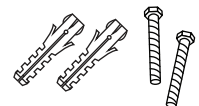


Sealant

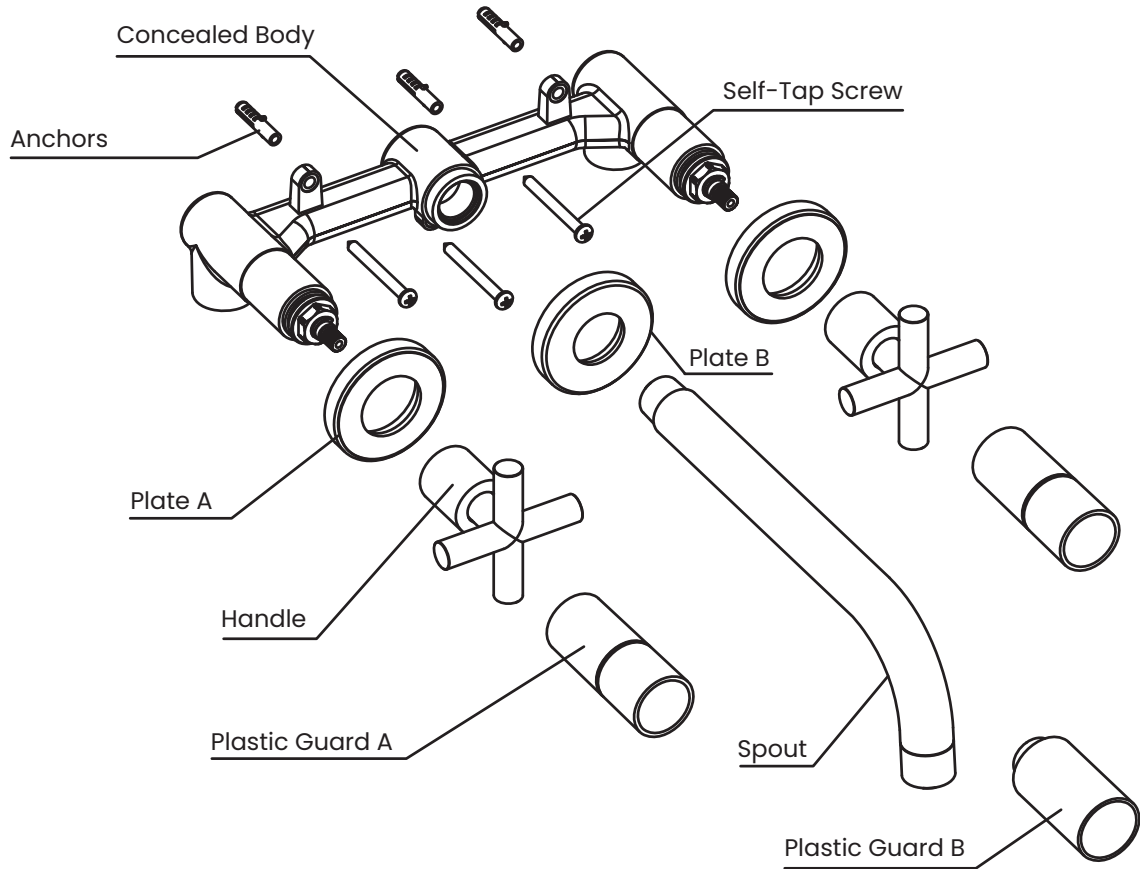
INCLUDED PARTS:



Faucet

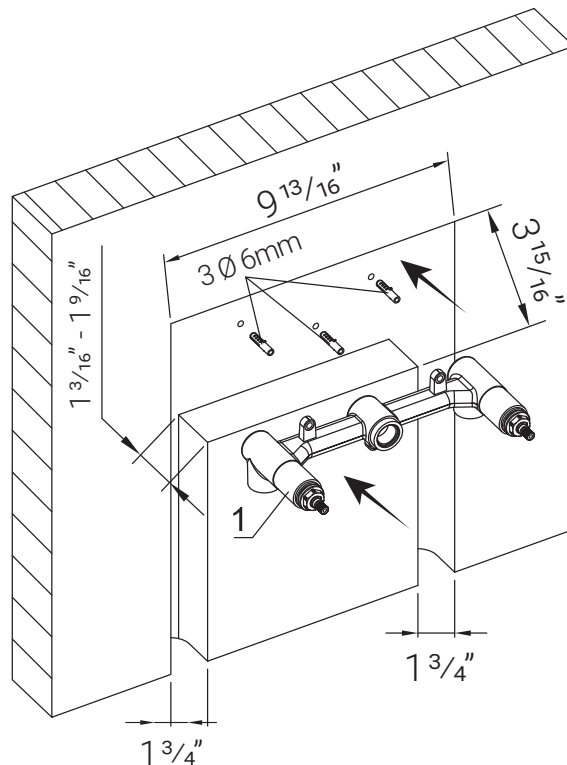


Mounting Hardware



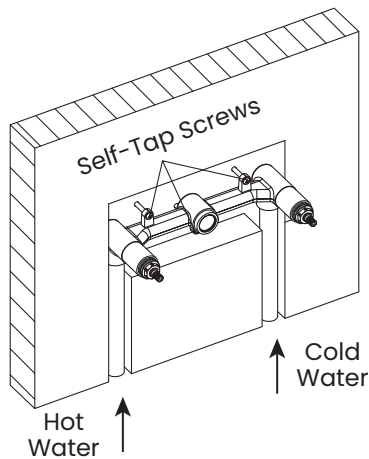
1. Mark Mounting Plate and Install Anchors

- Measure the positions of the three $\text{Ø } 6\text{mm}$ holes in the wall, then knock the anchors (2) into the holes.



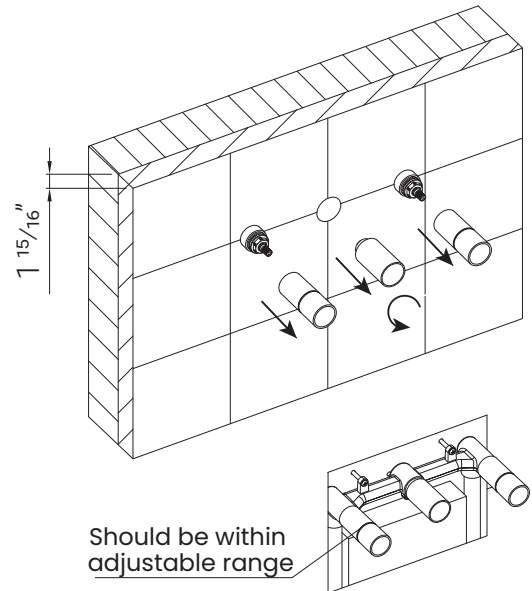
2. Fix Concealed Body

- Fix the concealed body into the wall with the self-tap screws. After connecting the water supply lines, test the tightness according to the following water pressure conditions:
 1. While the control valves are closed and the water supply is closed: ≤ 1.6 Mpa to test supply pipes and concealed body.
 2. While the control valves are open and the water supply is open: ≤ 0.4 Mpa to test supply pipes and concealed body.



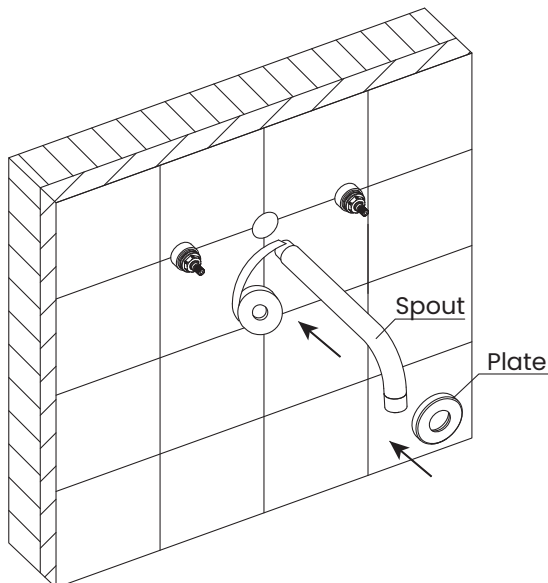
3. Install Plastic Guards

- After tightness testing, put on the plastic guards.
- Fill and finish the wall as desired. The thickness of the wall should be no more than $1 \frac{15}{16}$ " to ensure the concealed body can be adjusted.
- Once the wall surface is completely dried and cured, remove the plastic guards.



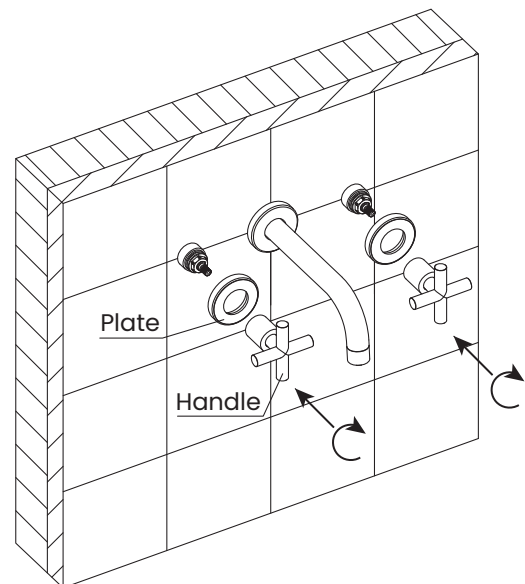
4. Secure Spout

- Wrap the thread of the spout with pipe tape, then screw the spout into the outlet of the concealed body.
- After adjusting the direction of the spout, fix the plate close to the wall.



5. Secure Handles & Check for Leaks

- Put the plates on the concealed body. Adjust the direction of the handles, then fix the handles onto the cartridge rod.
- Ensure fittings are tightened. Turn on and check for leaks.



ONE YEAR LIMITED WARRANTY

Swiss Madison® products are made with quality materials and excellent craftsmanship to provide our customers with beautiful, durable, long-lasting products. Should there be any defects in materials or craftsmanship under regular use that are discovered within the first year of installation, Swiss Madison® will provide replacement parts at no charge, or at its discretion, replace any product or part of the product that is deemed defective, under normal installation, use, service or maintenance. This warranty applies only to the original purchaser. Proof of purchase will be required in the instance of a claim.

Swiss Madison® recommends all installations of Swiss Madison® products to be conducted by a licensed, professional plumber or contractor. Swiss Madison® will not be held responsible for any damage or product failure due to improper installation, misuse, or failure to utilize a licensed professional for installation. Swiss Madison® is not responsible for any installation or removal costs.

This One Year Limited Warranty Will Be Voided If:


- The installation recommendations were not followed by the installer
- The product has been moved from its initial place of installation
- The product has in any way been modified from its packaged state
- The product has been subjected to improper maintenance, abuse, misuse, excessive use of chemicals, accidents, or other damages, etc.

Swiss Madison® makes no implication that its products comply with any local building or plumbing codes. It is the consumer's responsibility and obligation to determine local code compliance prior to and during installation. This warranty extends only to the original purchaser and first consumer.

Swiss Madison® is not responsible for any special, incidental or consequential damages associated with the installation, replacement, return or use of the original purchaser's product. This includes, but is not limited to: freight costs, labor, travel time, lost profit, home damages and other contingent liabilities and costs (including, without limitation, costs associated with 'professionals' or 'experts', investigations, audits, analyses, attorneys and any other professional/hired services).

The Swiss Madison® warranty is a comprehensive and explicit limit of liability. All items not disclosed within the warranty are not addressable within the responsibility of Swiss Madison®. Certain states have variances regarding implied warranties; in those situations, we remain fully compliant.

**If you have any questions or concerns, please contact us directly at
1-434-MADISON (623-4766)**

 **WARNING:** Contents of your order may contain sharp and possibly other harmful pieces and may cause hazard to children and adults. Swiss Madison® is not responsible in any way for personal damages.