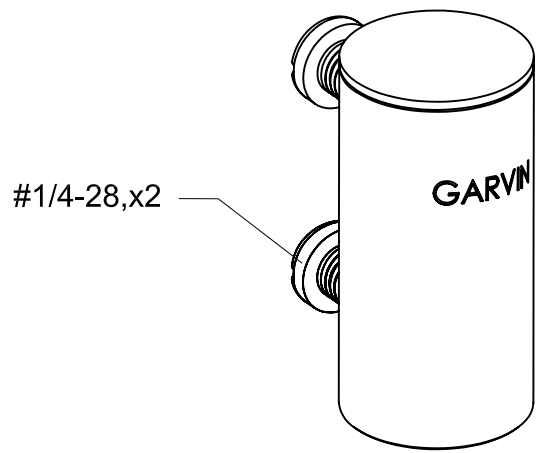
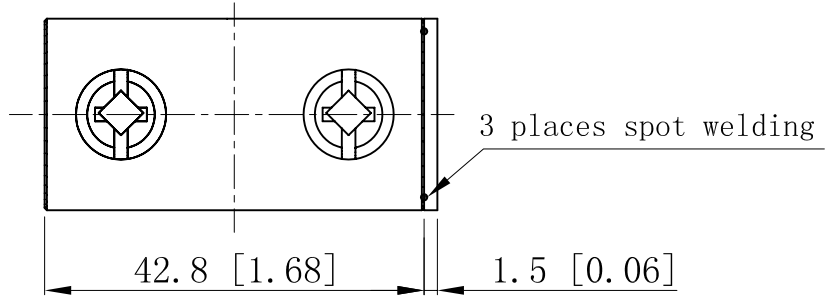
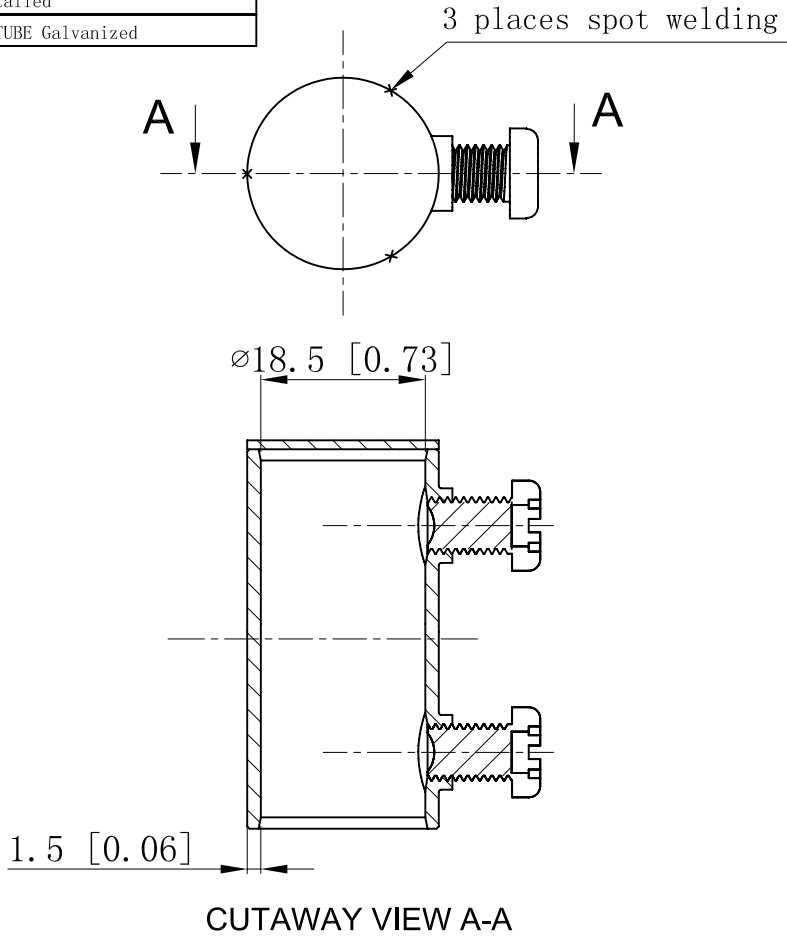


SIDES	BOTTOM
2 PCS #1/4-28×3/8 Screws Installed	
Material:Steel-0.06"-WELDING TUBE Galvanized	



This data sheet is for reference only .GARVIN INDUSTRIES reserves the right to make changes to the design without prior notice.

DESCRIPTION
TRADE REFERENCE TERMS

STANDARD PACKING
50 Pcs

GARVIN INDUSTRIES		
TITLE STEEL EMT SETREW COUPLINGS END CAPS TAMPERPROOF		
SIZE A4	DWG NO. CAPE50	REV C
DATA SHEET		