

NOTES:

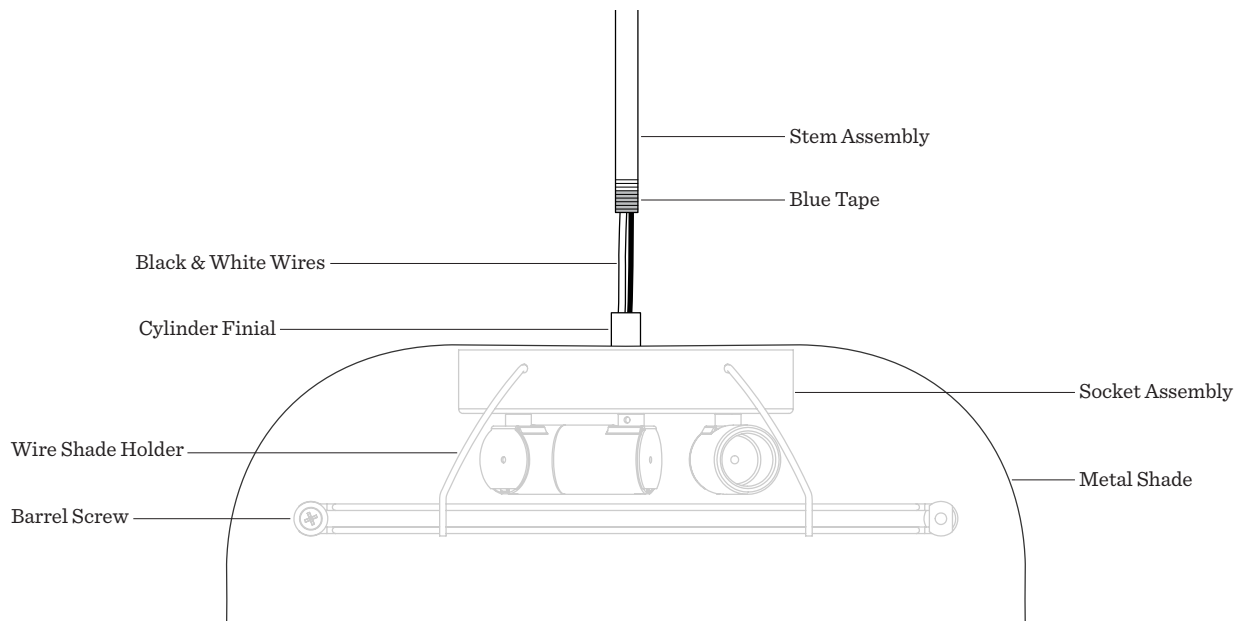
- 2-person installation
- Install fixture prior to installing the glass shade. We recommend wearing protective gloves and safety glasses for steps 2-3.
- **DO NOT REMOVE THE BLUE TAPE**

REQUIRED TOOLS:

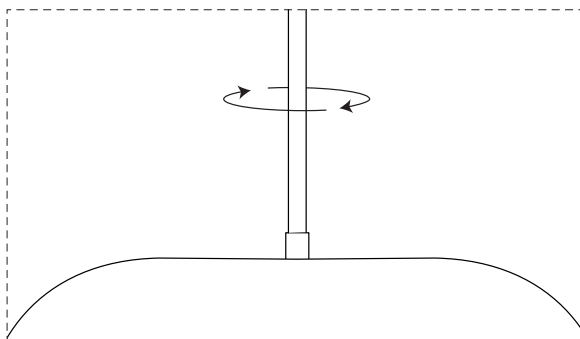
Ladder and/or Step Stool

INSTALLATION INSTRUCTIONS

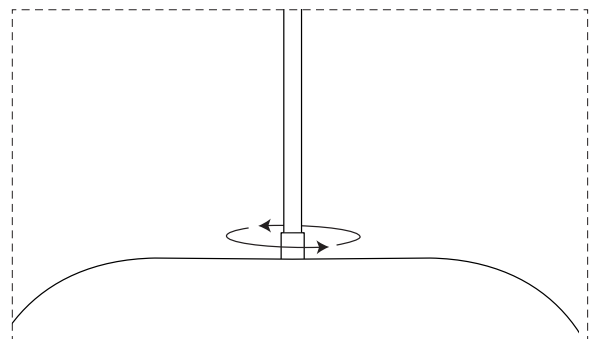
1. Place the Socket Assembly and Metal Shade of the pendant on a flat surface with the Cylinder Finial facing up. Feed the black and white wires through the Stem Assembly until both wires exit the top. Push the Stem Assembly down to the Cylinder Finial.



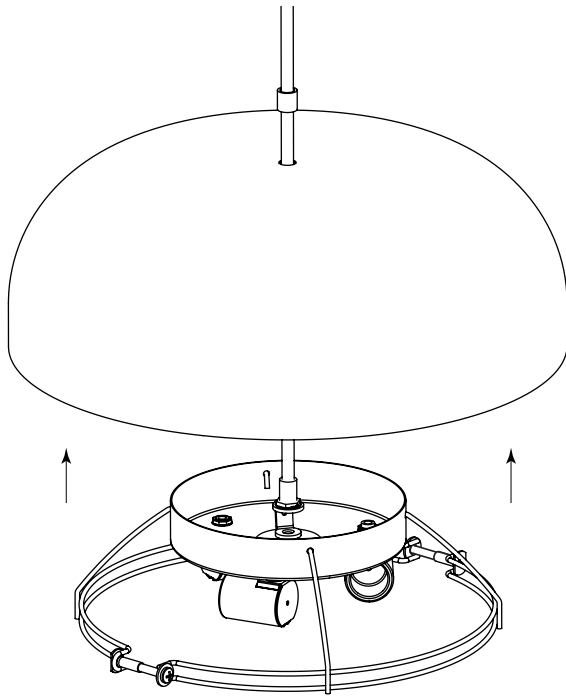
2. Thread the Stem Assembly into the Cylinder Finial by turning the Stem Assembly clockwise until it is tight.



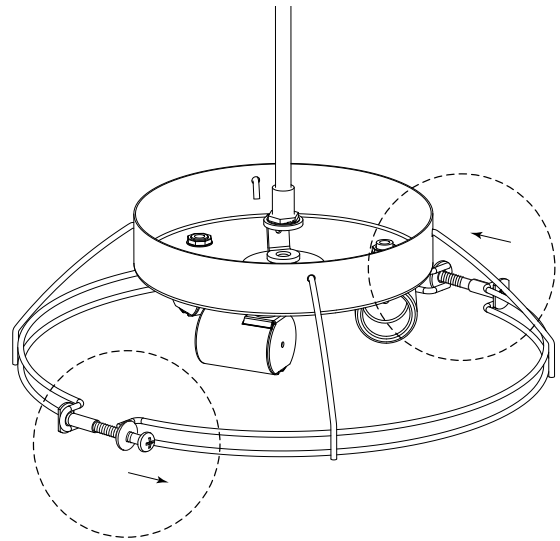
3. To install Glass Shade, unscrew the Cylinder Finial counterclockwise above the Metal Shade.



4. Slide Cylinder Finial and Metal Shade upwards. Hold in place.

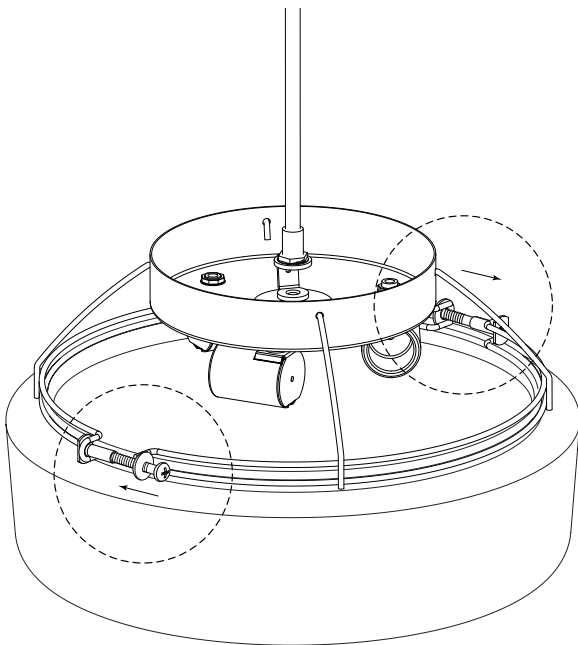


5. Slightly unscrew the Barrel Screws on the Wire Shade holder to loosen the two halves.



6. Lift Glass Shade into Wire Shade Holder so glass lip is fully captured.

7. Gently tighten the Barrel Screws in Wire Shade Holder to secure Glass Shade. Do not overtighten.



8. Install included bulbs and lower Metal Shade. Screw Cylinder Finial clockwise until it is tight.

