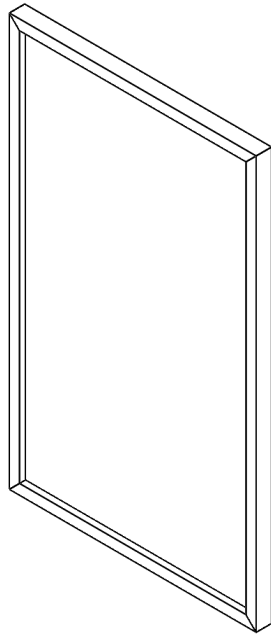


These installation instructions are for the following models:



Round Metal Mirror  
CM0030C86

Arched Metal Mirror  
CM2440A87, CM2440A69

Mixed Metal Mirror  
CM2440M8788, CM2440M6968

Scalloped Metal Mirror  
CM2430S68, CM2430S88,  
CM2440S68, CM2440S88

Triptych Metal Mirror  
CM4740T69, CM4740T87

---

## TABLE OF CONTENTS

Tools Needed - **2**  
Parts - **2**  
Installing the Mirror - **3**  
Cleaning and Care - **5**  
Warranty - **6**

---

## GENERAL INFORMATION

This instruction manual contains information on how to mount your Robern Craft Series mirror.

Save these instructions for future use and reference. An improper installation voids the warranty. Carefully inspect the mirror for damage prior to installation. Installed products cannot be returned.

If you experience any problems with your Robern product, contact your dealer or Robern directly.

Professional installation is strongly recommended. For your safety, it is recommended that two people hang the fixture. These instructions are provided for your safety. It is important that they are read carefully and completely before installation of the fixture. Check with a professional to ensure your wall can tolerate a fixture weighing between 30 lbs/13 kg and 90 lbs/41 kg. It is imperative that the mirror is mounted into a wall stud.

Limited Warranty — One Year Term

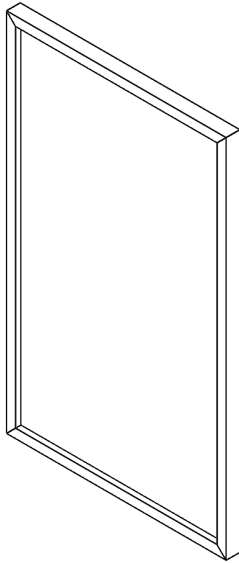
---

## TOOLS NEEDED





---

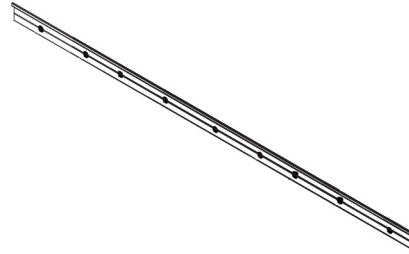
## PARTS



Craft Series Mirror  
(Style, Shape and Size Varies)

 [203-1554] (6) M4x50MM Mounting Screws*	[216-1235] Hardware Bag	 [203-1552] (6) Wall Anchors*
--	----------------------------	--

\* Quantities may vary based on mirror type



[203-1553] (1) Mounting Bar OR [203-1569] (1) Mounting Bar (CM2430S only)

---

## INSTALLING THE MIRROR

1. Unpack all parts and place them on a protected work surface. Refer to the mounting bar requirements (below) making sure that all requirements are met when installing the mounting bar.

- At least one screw MUST be installed in a structural member (stud, etc.)
- All mounting screws must be used in mounting bar.

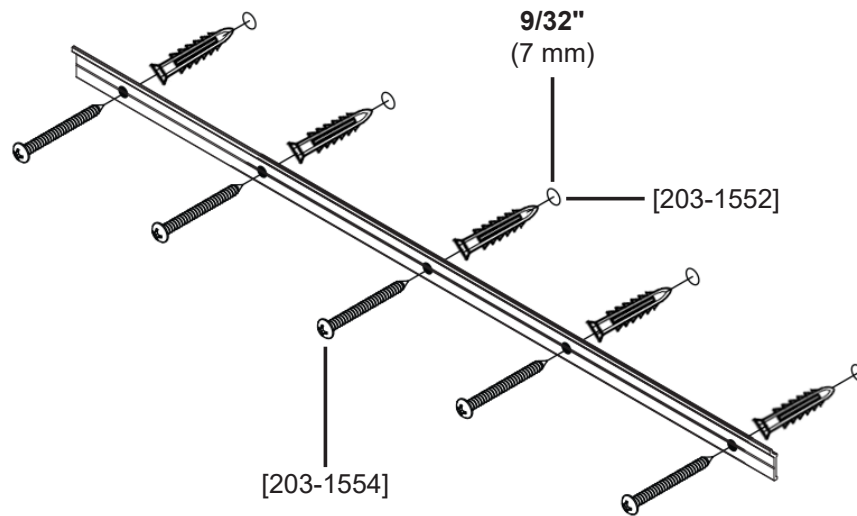
2. Determine the exact location of the fixture and mark holes on the wall surface using the holes as a guide. Make sure that the mounting bar is level when securing it to the wall.

3. Drill pilot holes in each mounting location on the wall. When necessary, the holes should be large enough to accommodate wall anchors [203-1552].

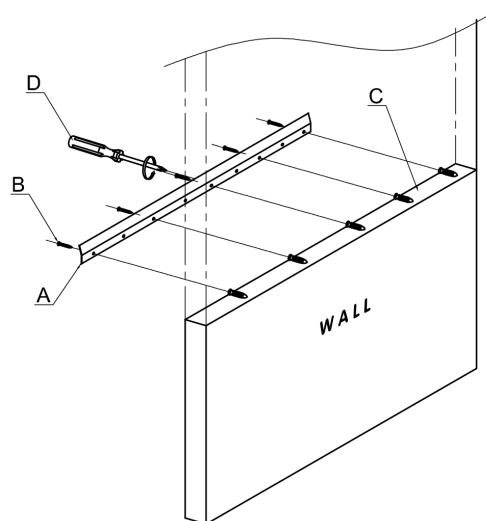
**NOTE:** Wall anchors appropriate to the wall type must be inserted in any location where a structural member isn't available.

4. Where needed, insert wall anchors into the holes in the wall.

5. Use the mounting screws [203-1554] to secure the mounting bar to the wall. Tighten until there is strong resistance. **DO NOT OVERTIGHTEN.**

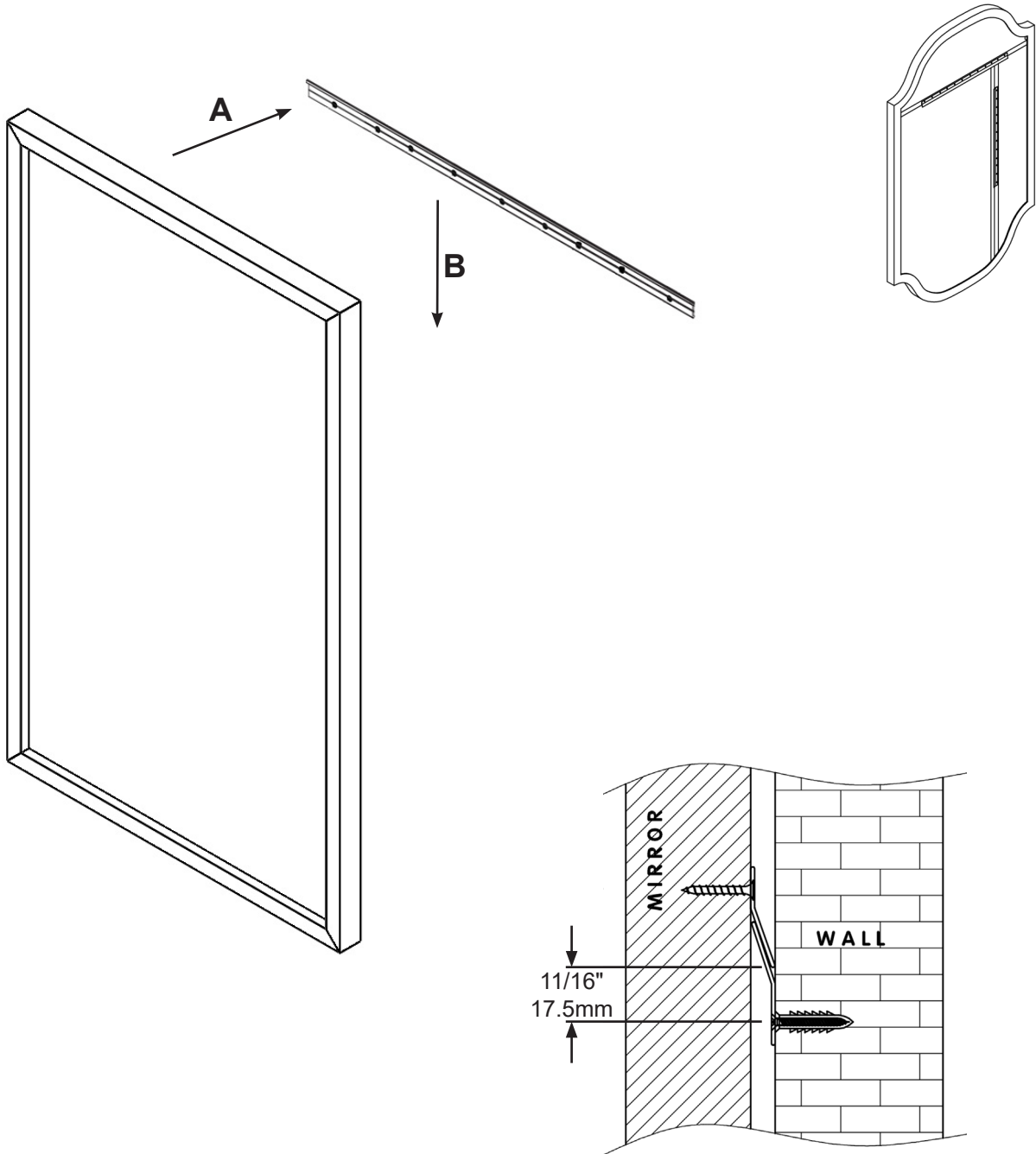


**NOTE:** At least one screw MUST be installed in a structural member (stud, etc.)



# INSTALLING THE MIRROR

6. Place the mirror with hanger cleat onto the mounting bar.



---

## CLEANING AND CARE

**NOTE:** Under no circumstances should an ammonia-based cleaner be used on wall mirrors.

When cleaning the mirror use only a lint-free polishing cloth. To remove stubborn stains, slightly dampen the cloth with water or rubbing alcohol.

**NOTE:** Do not use abrasive cleansers on any part of the wall mirror

- Blot spills immediately with a soft, damp cloth.
- When cleaning the metal frame, use only a damp cloth.
- Test cleaners in a discreet location first to ensure that there is no adverse reaction.
- Do not expose wood furniture to direct sunlight, drying heat sources, or dampness.
- Protect wood surfaces by using felt, leather or cork under accessories. Never slide objects across wood surfaces.
- Dust frequently with a soft cloth in the direction of the grain.
- Use only products specifically made for cleaning wood. Avoid using oily polishes or waxes, or products containing silicone.
- Every six months, remove soil buildup by rubbing with a soft cloth dampened in a 50/50 solution of warm water and an ammonia-free detergent. Wipe clean with a cloth dampened in warm water. Wipe dry.
- Paint pens and touch-up markers are available to conceal scratches on the wood surface. These products may be purchased from a Robern distributor.

No Ammonia  
No Vinegar



---

# WARRANTY

## Limited Warranty One Year Term

ROBERN warrants to the original purchaser that, it will, at its election repair, replace, or make appropriate adjustment to products made by this company shown to have significant defects in material or workmanship which are reported to ROBERN in writing within one (1) year from the date of delivery. ROBERN is not responsible for installation costs. The warranty is void in the event the product is damaged in transit, or if damage or failure is caused by abuse, misuse, abnormal usage, faulty installation, damage in an accident, improper maintenance, or any repairs other than those authorized by ROBERN. At the expiration of the one year warranty period, ROBERN shall be under no further obligation under any warranty, expressed or implied, including the implied warranty of merchantability. ROBERN shall not be liable for any consequential damages arising out of or in connection with the use or performance of its products. Some states do not allow limitations on how long an implied warranty lasts or do not allow the exclusion or limitation of incidental or consequential damages, so the above limitation or exclusion may not apply to you. Any liability against ROBERN under any implied warranty, including the warranty of merchantability, is expressly limited to the terms of this warranty. Permission to return any merchandise under this warranty must be authorized by ROBERN and returned prepaid by the purchaser. Claims under this warranty should be sent directly to your dealer.

©2021 ROBERN, INC.

ALL RIGHTS RESERVED