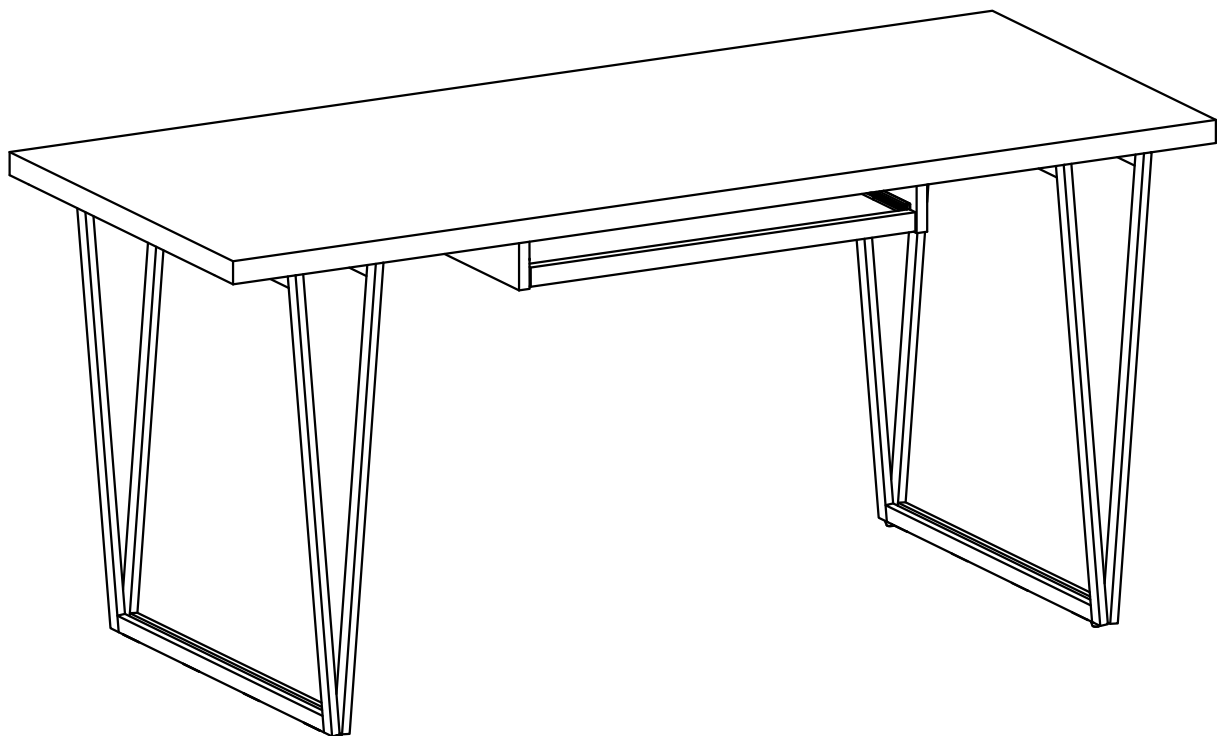


SIMPLIHOME

Ryder / Travis / Alto

Desk

Model # AXCRDY-14



SIMPLIHOME

Great quality is a right.

Thank you for shopping with Simpli Home,
America's top brand for high-value furniture.



It's time to register your product warranty.

It's quick and easy. And you'll be happy you did.



- ✓ Activate your **1-year** warranty
- ✓ Automatic entry to win a **\$500** gift certificate
- ✓ Earn instant rewards and **save**



simpli-home.com/product-registration

SIMPLIHOME

Review your product and collect rewards!

Thank you for your purchase! We hope you enjoy it. We'd love your feedback. Please share a review and get instant rewards!



simpli-home.com/product-review



Share photos and get your cash back!



Send us images or share them on social and qualify for instant rewards. You may even receive store credit on your entire purchase!



simpli-home.com/share-images

SIMPLIHOME®

For Fastest Customer Service:



1. Open your phone's camera.
2. Point your phone's camera at the QR code to scan.
3. Click on the pop up.
4. You'll be taken to our customer service page.
5. Fill the form with your order information and issue.
6. Submit form.
7. A customer service associate will contact you.

Other ways to contact us...



Email Us

customerservice@simpli-home.com



Visit Us

Visit our site directly at
www.simpli-home.com



Call Us

1-866-518-0120
Monday to Friday
9am to 5pm EST

***If you've purchased from a retailer and you wish to return the product, please contact the retailer directly.**

IMPORTANT : Please read this manual carefully before beginning assembly of this product. Keep this manual for future reference.

Safety Information

Identify all the parts and hardware. Do not discard of the packaging until you have checked that you have all of the parts and hardware required. Hardware package may have spare parts.

WARNING: This item contains small parts which can be swallowed by children and pets. Keep children and pets away during assembly. To avoid danger of suffocation, always keep plastic bags away from children and pets. We recommend that you assemble this unit on a carpeted floor to avoid scratches. If using power tools, set the tool to low torque to avoid damage.

May require 2 people for ease of assembly.

Care & Maintenance

This furniture is designed for indoor use.

Damage to furniture can come from temperature changes in relative humidity (RH) in our homes. Humid air oxidizes metal which results in rusting, corrosion, tarnishing and roughness. Wood absorbs water as relative humidity rises and falls, and in doing so it swells and shrinks.

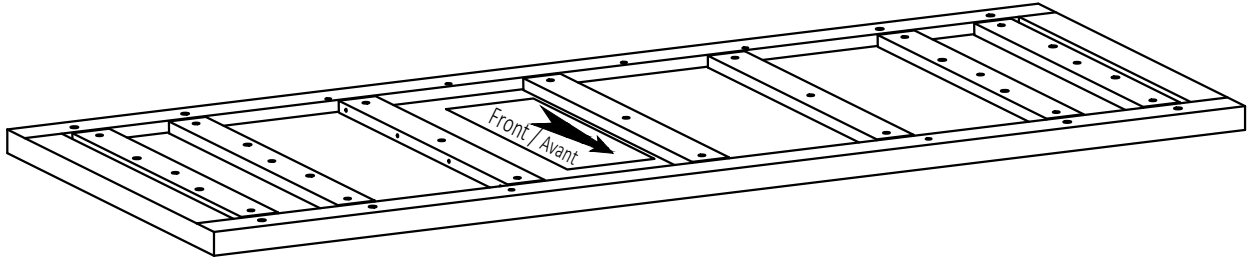
To protect against the humidity effect, the metal is powder coated. The powder coat layer protects the metal from oxidizing, corrosion, tarnishing and scratching and keeps it looking good for years to come. The wood is sealed and lacquered to protect against humidity.

To help protect your furniture, follow these steps:

- Use a humidifier, preferably one with an automatic control system that can sense the humidity level and adjust itself accordingly
- Dust with soft dry cloth
- Wipe up spills promptly
- Clean with a dry cloth
- Do not use abrasive cleaners, chemical solvents, strong detergents, cleaners with bleach, and furniture polish
- Use soft felt base coasters, placemats to help prevent scratches
- Keep furniture out of direct sunlight, which can cause cracking or roughness on the protective layer
- If it can be avoided, do not put furniture near heating vents
- Keep the furniture 3 to 4 inches away from the wall, giving heat and air space to circulate.

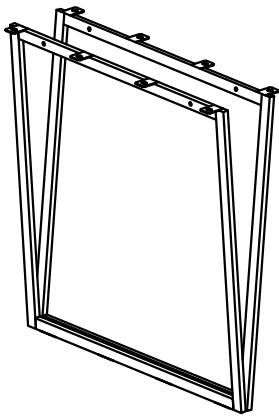
Part Description

A



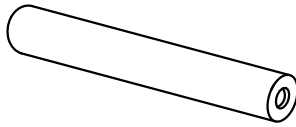
TOP
QTY 1

B



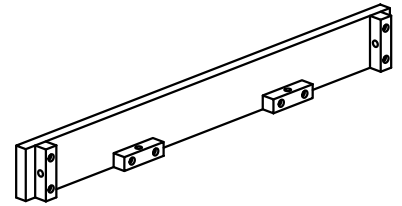
LEG
QTY 2

C



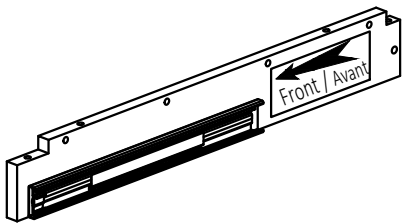
SUPPORT BAR
QTY 4

D



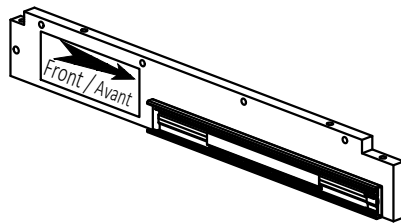
BACK PANEL
QTY 1

EL



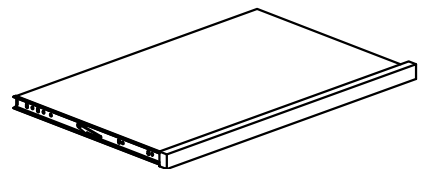
LEFT DIVIDER
QTY 1

ER



RIGHT DIVIDER
QTY 1

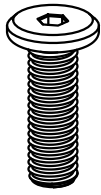
F



KEYBOARD TRAY
QTY 1

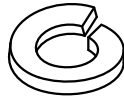
Hardware Description

1



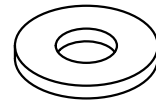
ALLEN KEY BOLT
M8 x 20 mm
QTY 16

2



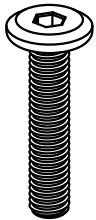
LOCK WASHER
Ø12 / Ø8 x 1.5 mm
QTY 16

3



ALLEN KEY BOLT
Ø19 / Ø8 x 1 mm
QTY 16

4



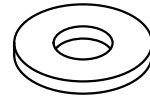
ALLEN KEY BOLT
M6 x 25 mm
QTY 8

5



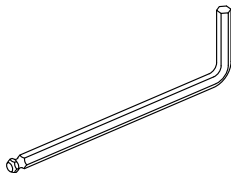
LOCK WASHER
Ø10 / Ø6 x 1.5 mm
QTY 8

6



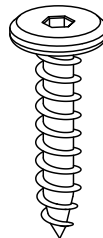
ALLEN KEY BOLT
Ø19 / Ø6 x 1 mm
QTY 8

7



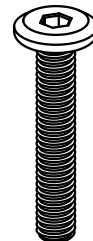
ALLEN KEY
QTY 1

8



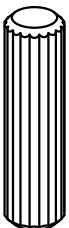
ALLEN KEY SCREW
M6 X 30mm
QTY 8

9

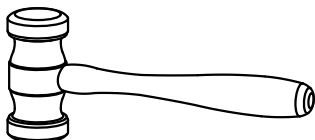
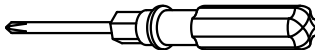


ALLEN KEY BOLT
M6 X 30mm
QTY 4

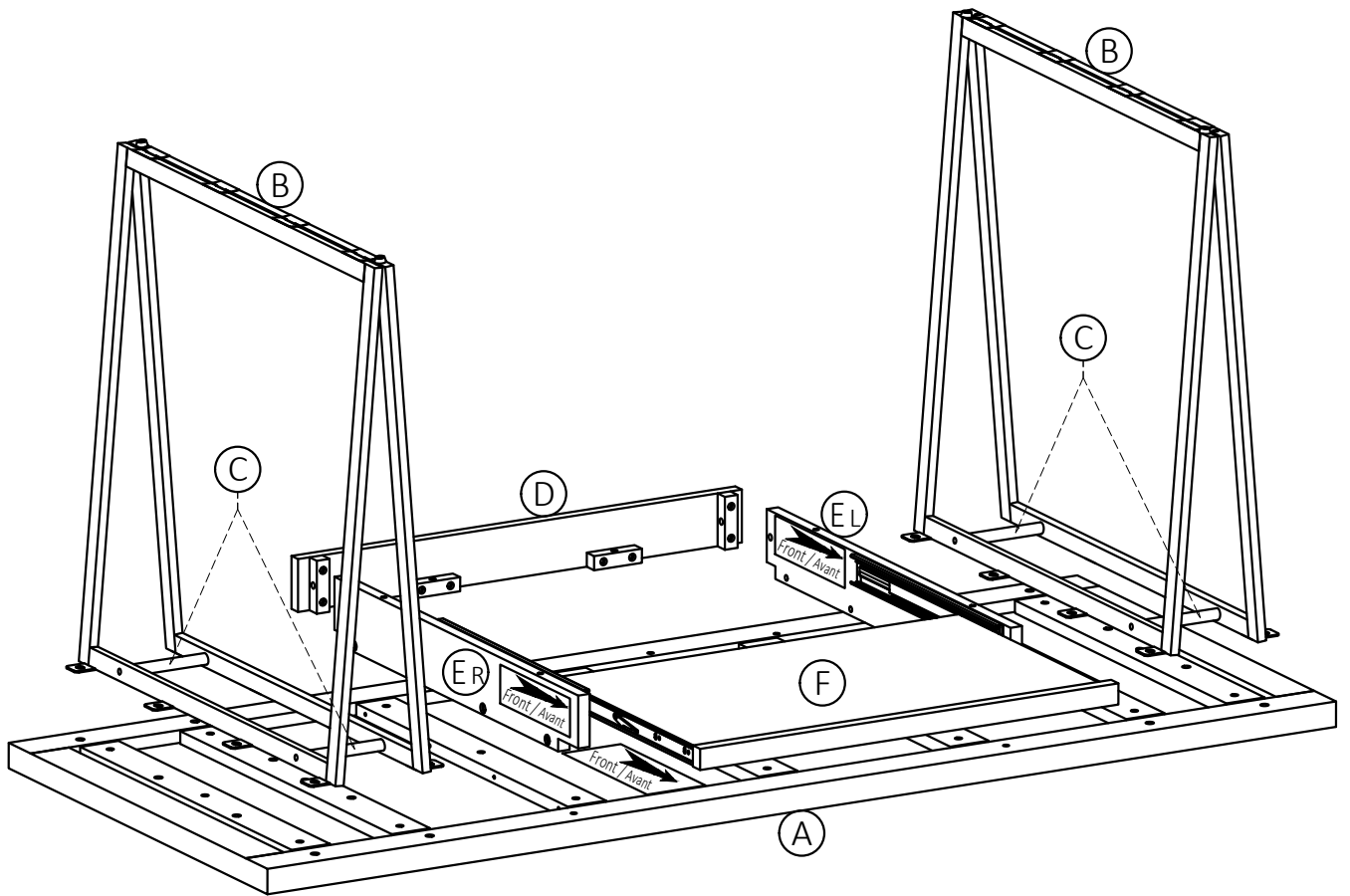
10



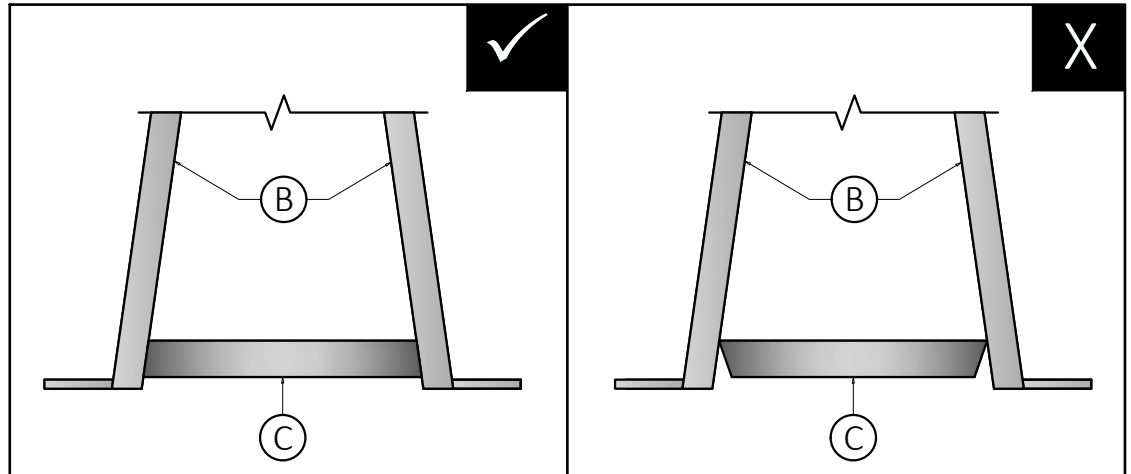
WOOD DOWEL
Ø8 X 30mm
QTY 4



Required -
Flathead screwdriver
Phillips screwdriver
Rubber mallet
Not Included

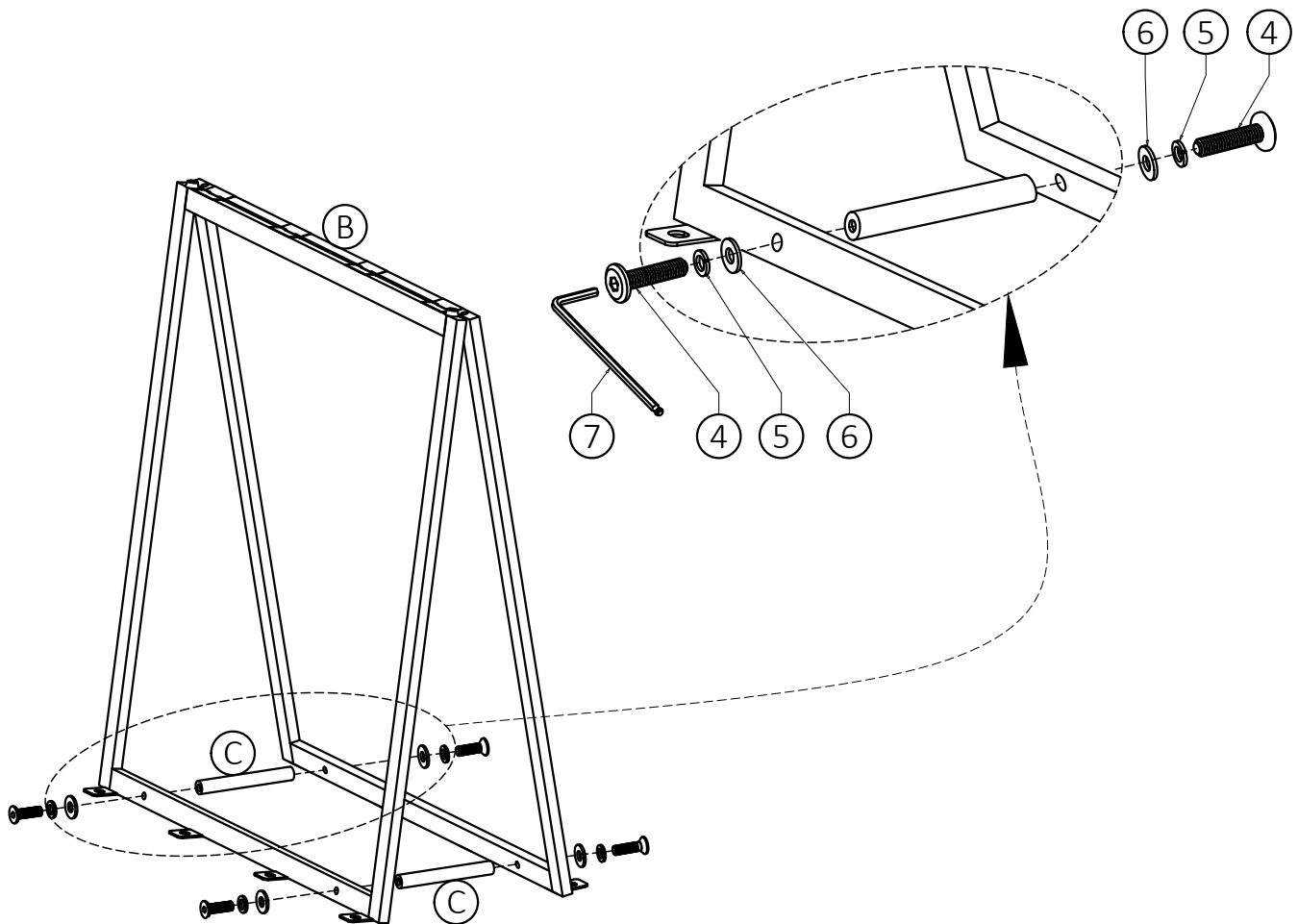


Step 1



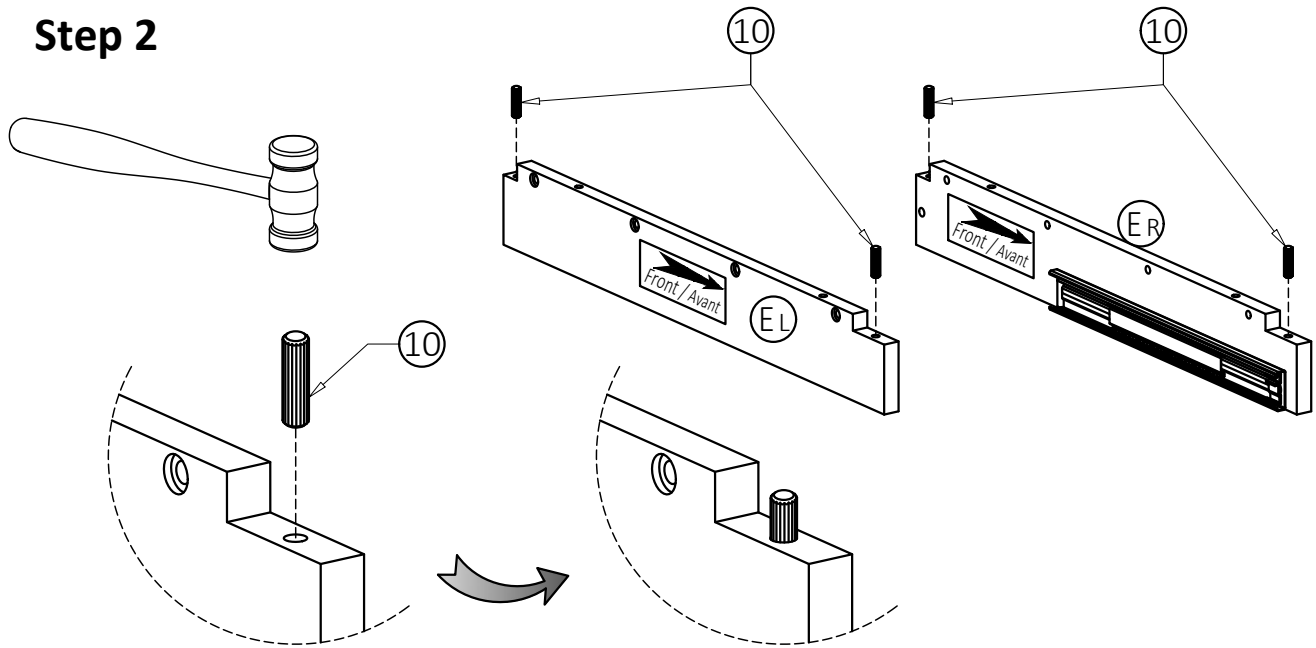
IMPORTANT

Open Leg (B) wide enough to insert Support Bars (C).



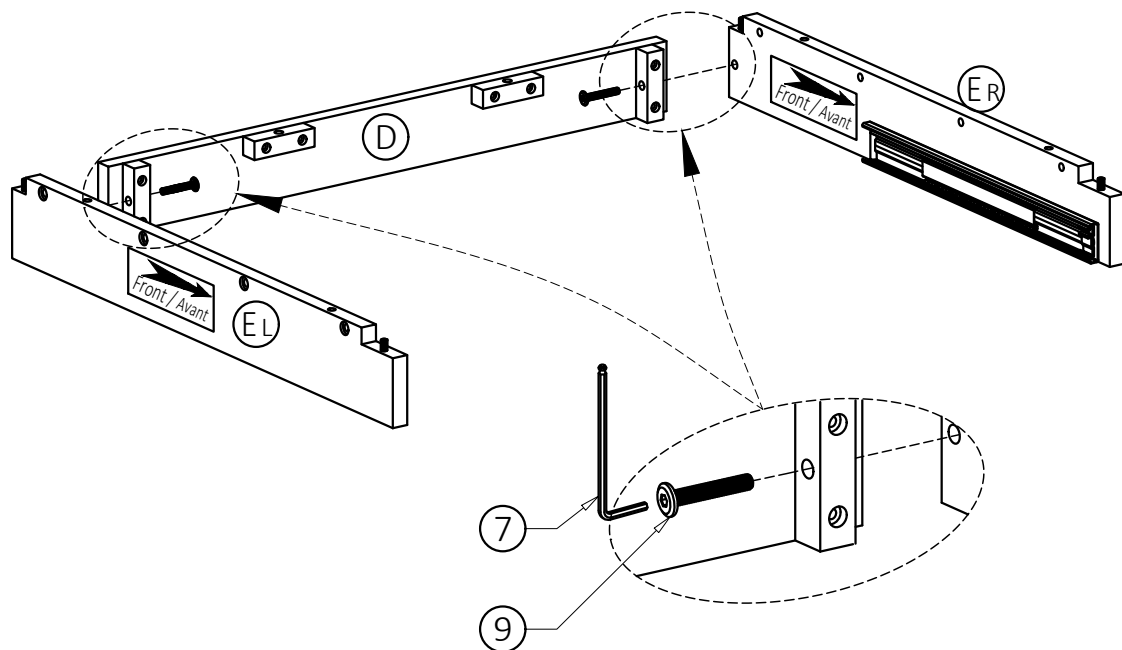
1. Attach two Support Bars (C) to Leg (B) using four Allen Key Bolts (4), four Lock Washers (5) and four Washers (6) (two Bolts, two Lock Washers and two Washers on each Support Bar).
2. Use Allen Key (7) to tighten Bolts. Do not over-tighten.
3. Repeat step 1 & 2 for other leg.

Step 2



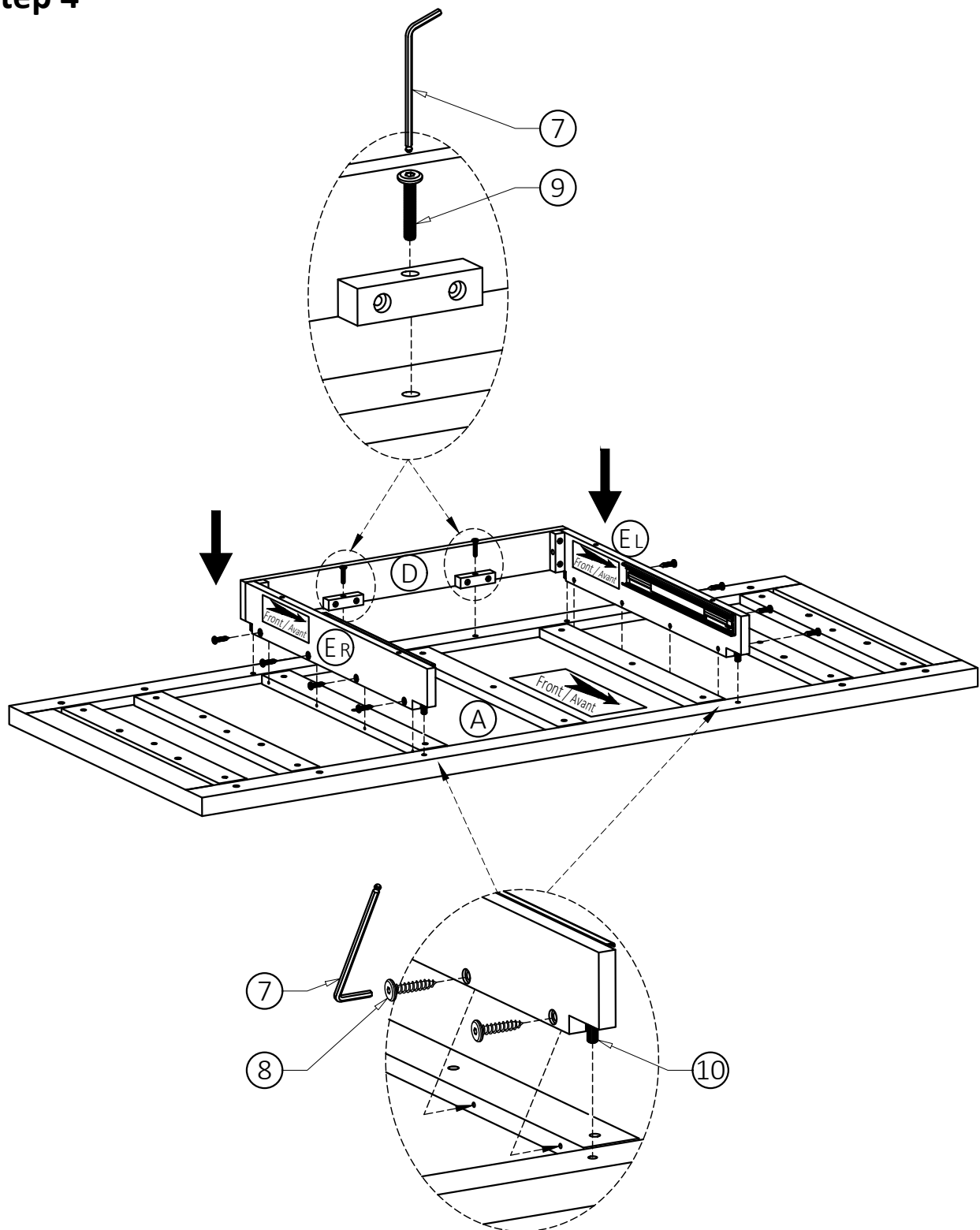
1. Insert two Dowels (10) into drilled holes on each Divider (EL), (ER).
2. Use rubber mallet to tap Dowels (10) into bottom of holes securely. 1/2 length of Dowels should be exposed.

Step 3



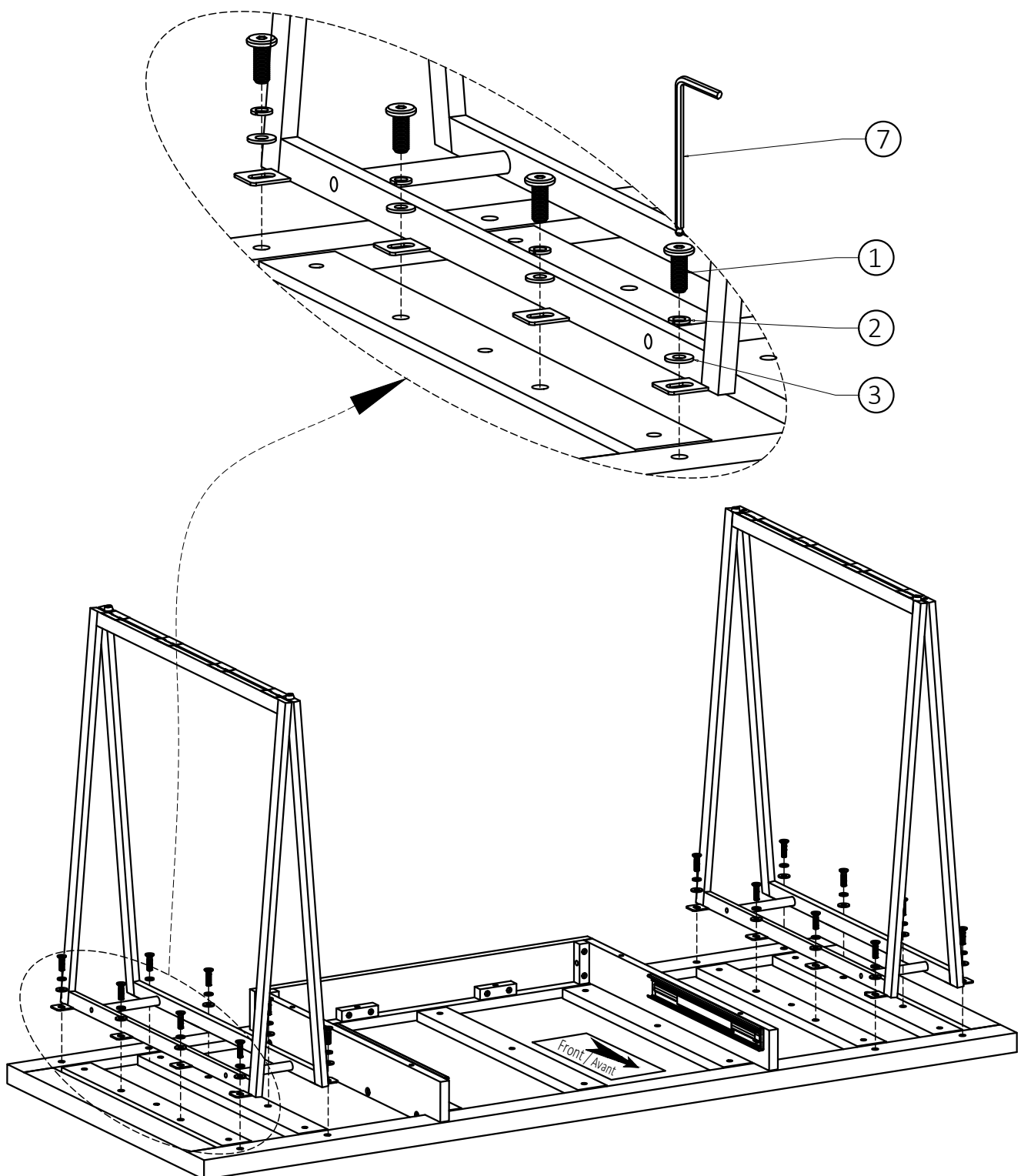
1. Attach Sides (EL) and (ER) to Back Panel (D) using two Allen Key Bolts (9).
2. Use Allen Key (7) to tighten Bolts. Do not over-tighten.

Step 4



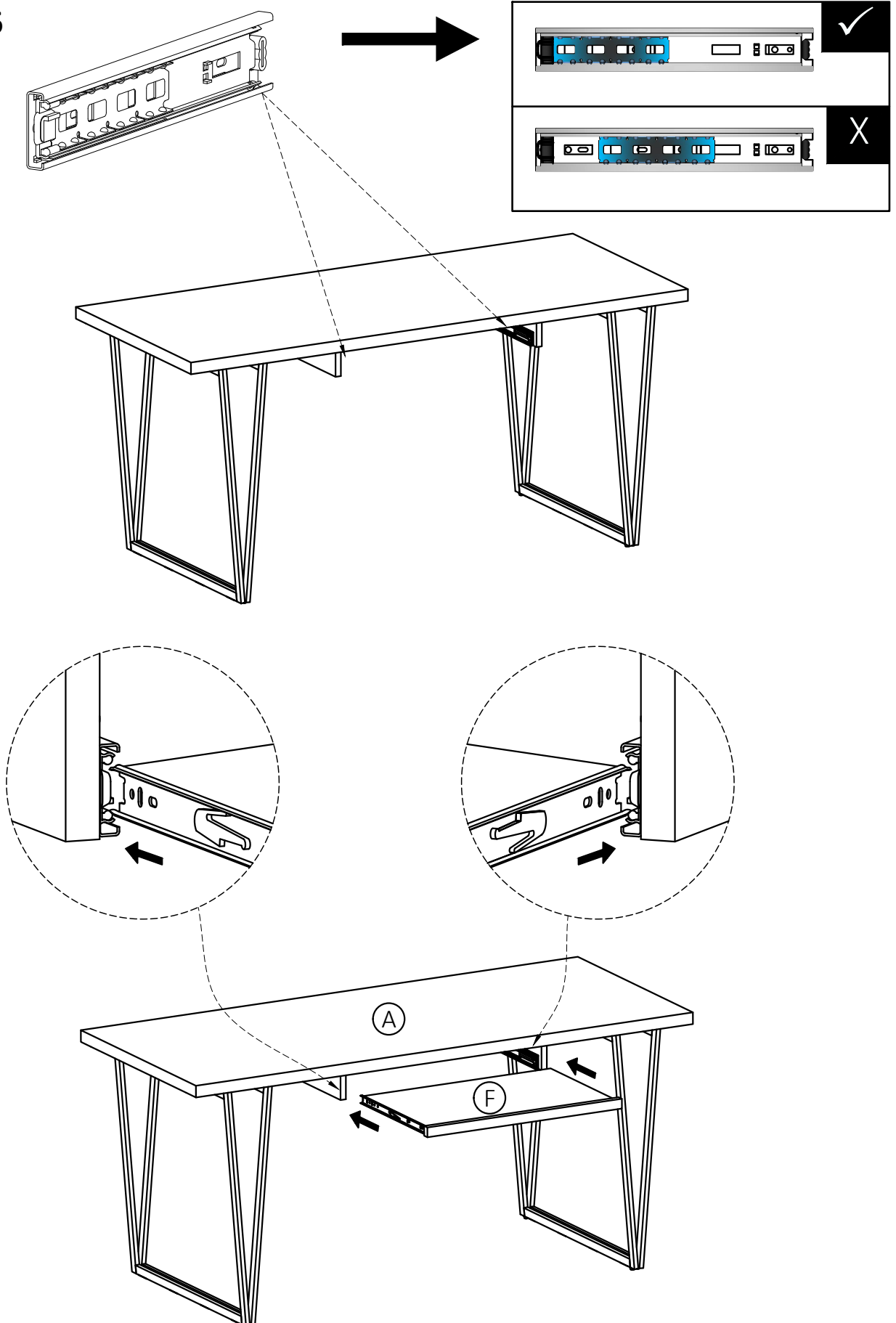
1. Align Wood Dowels (10) on bottom Sides (EL) and (ER) with drilled holes on Top (A).
2. Attach Sides (EL) and (ER) to Top (A) using eight Allen Key Screws (8) (four Screws on each Side).
3. Attach Back Panel (D) to Top (A) using two Allen Key Bolts (9).
4. Use Allen Key (7) to tighten Bolts and Screws . Do not over-tighten.

Step 5



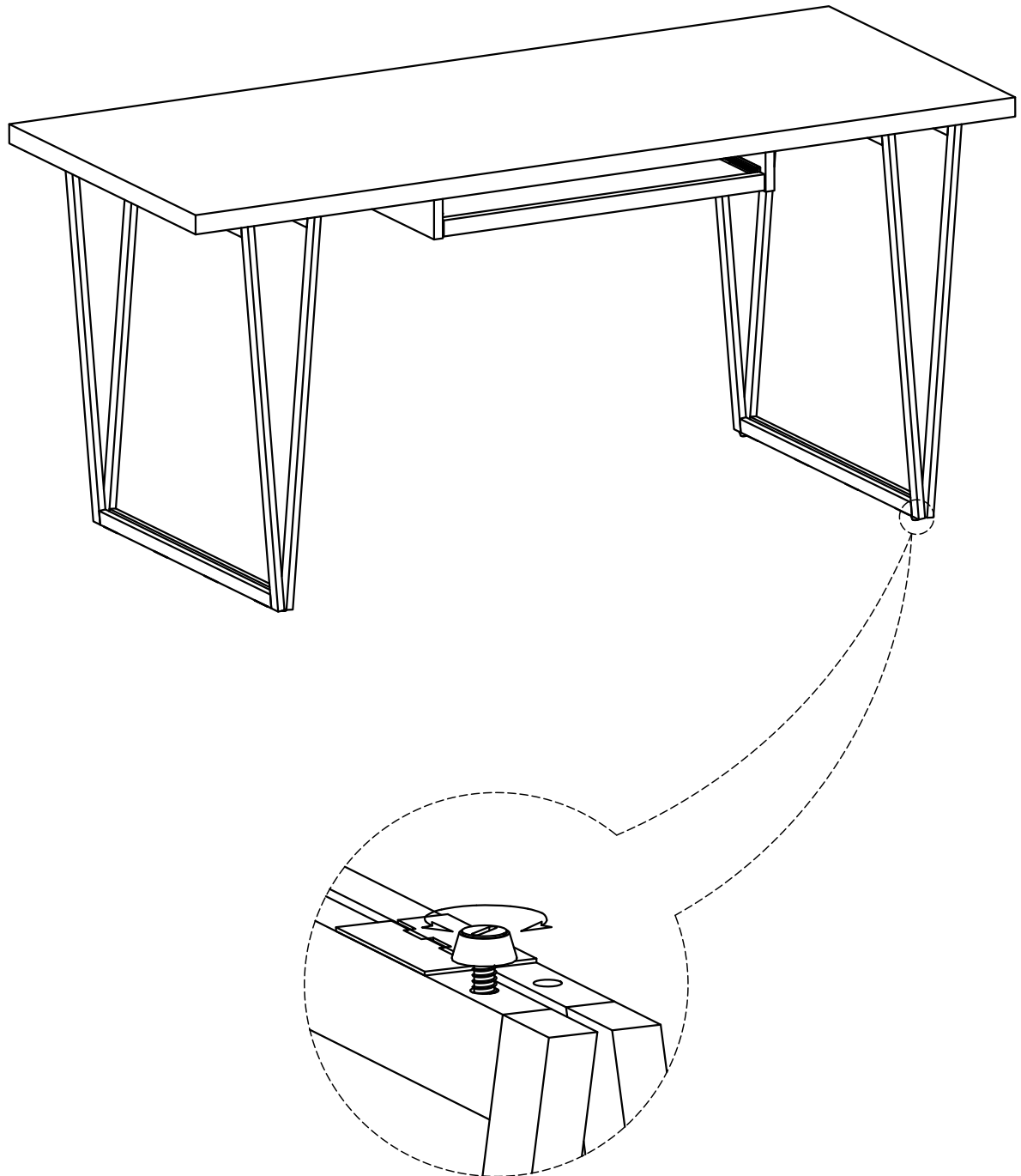
1. Attach Legs (B) to Top (A).
2. Use sixteen Allen Key Bolts (1), sixteen Lock Washers (2) and sixteen Washers (3) to secure part (A) and (B) (eight Bolts, eight Lock Washers and eight Washers on each Leg).
3. Use Allen Key (7) to tighten Bolts. Do not over-tighten.

Step 6



1. Insert Keyboard Tray (F) into glides on assembled desk.

Step 7



Note: Levelers on bottom of legs can be adjusted if floor is uneven.