

MEADOW MIRROR

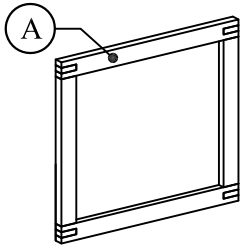
ASSEMBLY INSTRUCTIONS



PARTS AND HARDWARE

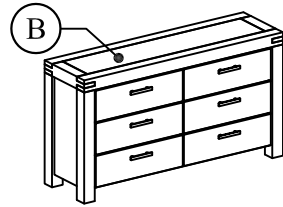
BOX #1

A. MIRROR



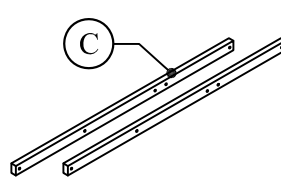
BOX #2*

B. DRESSER 6 DRAWER
C. SUPPORT MIRROR
HARDWARE IN PLASTIC POUCH



*SOLD SEPARATELY

1 PC
2 PCS



HARDWARE PACKED IN BOX #2

1.	WOOD SCREWS 4 x 35 mm	Q'ty
		10 PCS

WARNING FOR YOUR SAFETY AND CONVENIENCE ASSEMBLY BY TWO PEOPLE IS RECOMMENDED

OPTION 1

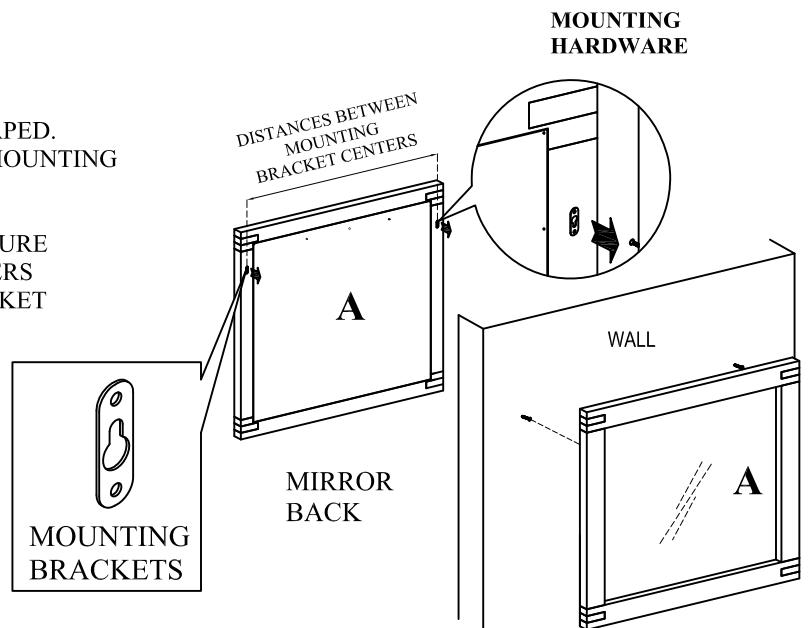
ATTACHING MIRROR ON TO WALL

PRE-INSTALLED MIRROR BRACKETS ARE TEARDROP SHAPED. TEST CONNECTION BETWEEN MIRROR BRACKETS AND MOUNTING HARDWARE BEFORE INSTALLATION FOR A SECURE FIT.

INSTALL MOUNTING HARDWARE ON THE WALL. MAKE SURE THE DISTANCE BETWEEN MOUNTING HARDWARE CENTERS ON THE WALL MATCHES THE DISTANCE BETWEEN BRACKET CENTERS ON THE MIRROR.

CAUTION: WE RECOMMEND INSTALLING MOUNTING HARDWARE IN WALL STUDS OR A BOARD THAT IS SECURED TO STUDS. CONSULT A PROFESSIONAL INSTALLER BEFORE INSTALLING IN DRYWALL.

HANG THE MIRROR FROM THE MOUNTING HARDWARE. ENSURE THE TEARDROP BRACKETS HAVE CAUGHT THE MOUNTING HARDWARE.



OPTION 2

ATTACHING MIRROR ON TO 6 DRAWER DRESSER

STEP 1:

USE PILOT HOLES AS REFERENCE TO CONNECT MIRROR (A) TO MIRROR SUPPORT (C) USING ALLEN BOLTS (1). REPEAT THIS STEP FOR SECOND MIRROR SUPPORT. TIGHTEN ALL FOUR BOLTS.

STEP 2:

FOLLOW THE ILLUSTRATION TO FIX MIRROR (A) TO 6 DRAWER DRESSER (B). USING ALLEN BOLTS (1) ON MIRROR SUPPORT FROM BACK SIDE, USE PILOT HOLES AS REFERENCE FOR EASY ASSEMBLY. TIGHTEN ALL SIX BOLTS.

