

MNT-IPMINIDOME-WALL-2

Wall Mount Bracket

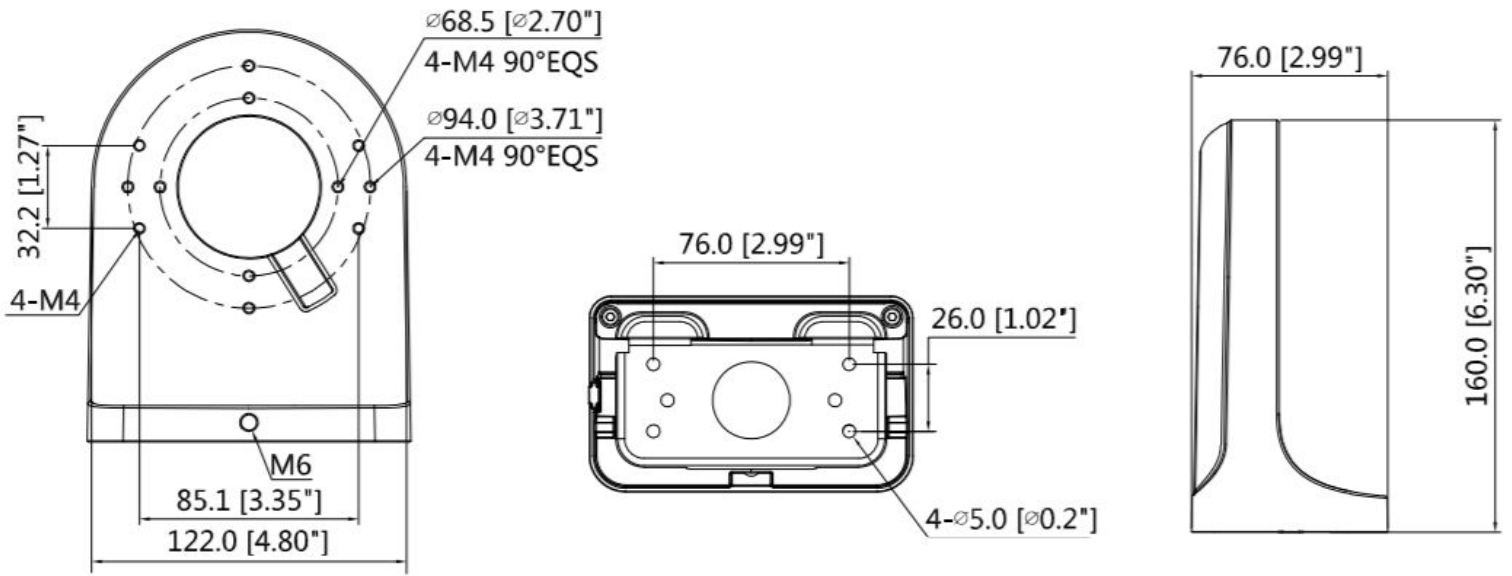


- Aesthetic design
- Material: Aluminum & SECC
- Fits small-sized dome cameras such as IPMX/FX E20/ E40 series and IPMX Wedge series cameras.
- Includes (4) M4 screws, (4) ST4 screws, (4) plastic anchors,, (1) Wrench

Technical Specification

Model	MNT-IPMINIDOME-WALL-2
Physical Properties	
Material	Material: Aluminum & SECC
Dimension(W xH xD)	160mmx122mmx76mm (6.30"x4.80"x2.99")
Weight	0.49kg(1.08lb)
Load Bearing	1kg (2.2lb)
Color	White
Operating Temperature	40°C~60°C(-40°F~140°F)
Humidity	0~90% RH
Applicable Models:	IFits small-sized dome cameras such as IPMX/FX E20/ E40 series and IPMX Wedge series cameras.. See Accessory Compatibility List.

Dimensions (mm/in)



Application

