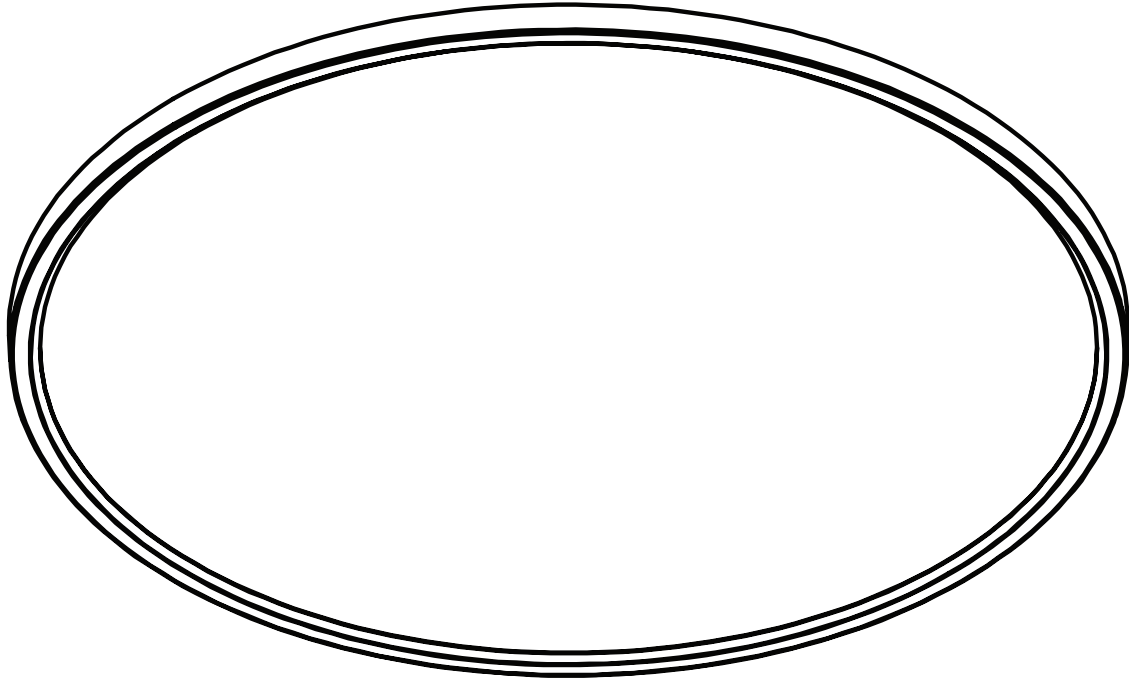


# 25" ROUND EDGE-LIT FLUSH MOUNT

---

## IMPORTANT SAFETY INSTRUCTIONS AND INSTALLATION GUIDE



**READ BEFORE INSTALLATION**  
**SAVE THESE INSTRUCTIONS**



# Table of Contents

Safety Information .....	2
FCC Statement .....	2
Warranty .....	2
Pre-Assembly .....	3
Tools Required .....	3
Hardware Required .....	3
Installation .....	4-5
Changing the Color Settings .....	6

## Safety Information

For your safety, always remember to:

- Turn off the power supply at the fuse or circuit breaker box before you install the fixture.
- Ground the fixture to avoid potential electric shock and to ensure reliable starting.
- Double-check all connections to be sure they are tight and correct.
- Wear rubber soled shoes and work on a sturdy wooden ladder.
- Account for small parts and destroy packing material, as these may be hazardous to children.

**IMPORTANT:** This fixture is designed for use in a circuit protected by a fuse or circuit breaker. It is also designed to be installed in accordance with local electrical codes. If you are unsure about your wiring, consult a certified electrician or local electrical inspector, and check your local electrical code.

**NOTICE:** All electrical connections must be in accordance with local and National Electrical Code (N.E.C.) standards. If you are unfamiliar with proper electrical wiring connections obtain the services of a certified electrician.

Remove the fixture and the mounting package from the box and make sure that no parts are missing by referencing the illustrations on the installation instructions.

### PRODUCT SPECIFICATIONS:

- 120 VAC
- WALL DIMMABLE
- SUITABLE FOR DAMP LOCATIONS



**WARNING: RISK OF SHOCK.** House electric current can cause painful shock or serious injury unless handled properly.



**CAUTION:** Turn off the main power at the circuit breaker before installing the fixture, in order to prevent possible shock.



**WARNING:** Risk of fire. Use only on 120 volt 60Hz circuits. Suitable for damp locations. Before installing your lighting fixture, thoroughly review enclosed installation manual. If you do not have sufficient electrical wiring experience, please refer to a do-it-yourself wiring handbook or have your fixture installed by a certified electrician. All electrical connections must be in accordance with Local and National Electrical Code (NEC) Standards. Reliable operating temperature is 0°F –120°F. If flickering occurs in low level dimming, increase light level. Compatible with most dimmers including Leviton 6681-IW, Lutron S-600P and Lutron DVCL-153. Dimmable to 10% with most dimmers.

## FCC STATEMENT

### Supplier's Declaration of Conformity:

47 CFR § 2.1077 Compliance Information

Responsible Party: Feit Electric Company

4901 Gregg Road, Pico Rivera, CA 90660, USA

Unique Identifier: FM25LP6WYBK

This device complies with part 15 of the FCC Rules. Operation is subject to the following two conditions: (1) This device may not cause harmful interference, and (2) this device must accept any interference received, including interference that may cause undesired operation. Note: This equipment has been tested and found to comply with the limits for a Class B digital device, pursuant to part 15 of the FCC Rules. These limits are designed to provide reasonable protection against harmful interference in a residential installation. This equipment generates, uses and can radiate radio frequency energy and, if not installed and used in accordance with the instructions, may cause harmful interference to radio communications. However, there is no guarantee that interference will not occur in a particular installation. If this equipment does cause harmful interference to radio or television reception, which can be determined by turning the equipment off and on, the user is encouraged to try to correct the interference by one or more of the following measures: Reorient or relocate the receiving antenna. Increase the separation between the equipment and receiver. Connect the equipment into an outlet on a circuit different from that to which the receiver is connected. Consult the dealer or an experienced radio/TV technician for help. Any changes or modifications not expressly approved by the manufacturer could void the user's authority to operate the equipment.

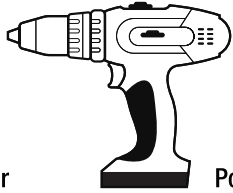
## Limited Warranty

This product is warranted to be free from defects in workmanship and materials for up to 5 years from date of purchase. If the product fails within the warranty period, please contact Feit Electric at [info@feit.com](mailto:info@feit.com), visit [feit.com/contact-us](http://feit.com/contact-us) or call 1-866-326-BULB (2852) for instructions on replacement or refund. REPLACEMENT OR REFUND IS YOUR SOLE REMEDY. EXCEPT TO THE EXTENT PROHIBITED BY APPLICABLE LAW, ANY IMPLIED WARRANTIES ARE LIMITED IN DURATION TO THE DURATION OF THIS WARRANTY. LIABILITY FOR INCIDENTAL OR CONSEQUENTIAL DAMAGES IS HEREBY EXPRESSLY EXCLUDED. Some states and provinces do not allow the exclusion of incidental or consequential damages, so the above limitation or exclusion may not apply to you. This warranty gives you specific legal rights, and you may also have other rights which vary from state to state or province to province.

## TOOLS REQUIRED (NOT INCLUDED)



Phillips  
Screwdriver



Power drill

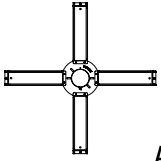


1/2 in. Drill Bit

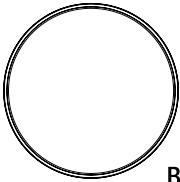
## HARDWARE INCLUDED



NOTE: Hardware not shown to actual size.



AA



BB



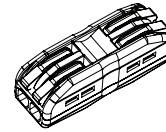
CC



DD



EE



FF

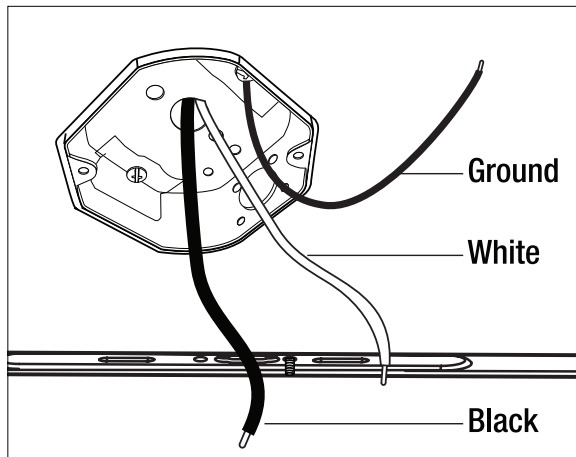
Part	Description	Quantity
AA	Mounting Bracket	1
BB	Fixture	1
CC	Junction Box Screws	2
DD	3/16 in. Toggle Bolts	4
EE	Wire Nut	1
FF	Wago Quick Connector	1

## 1 Turning off the Power

Turn the power OFF at the switch and fusebox or the circuit breaker.

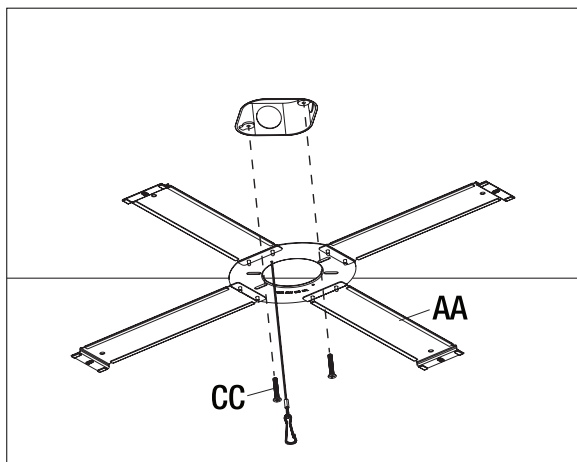
## 2 Identifying the Wires

Black - Hot/Live  
White - Neutral  
Green/Bare Copper - Ground



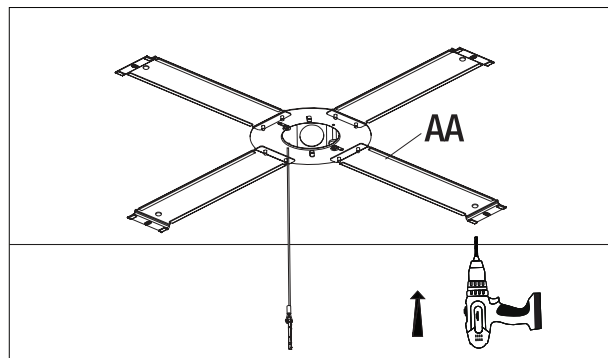
## 3 Attaching the Mounting Bracket to the Junction Box

Line up the Mounting Bracket (AA) with the mounting holes on the junction box. Use a Philips head screwdriver to screw the Junction Box Mounting Screws (CC) through the Mounting Bracket (AA) and to the junction box.



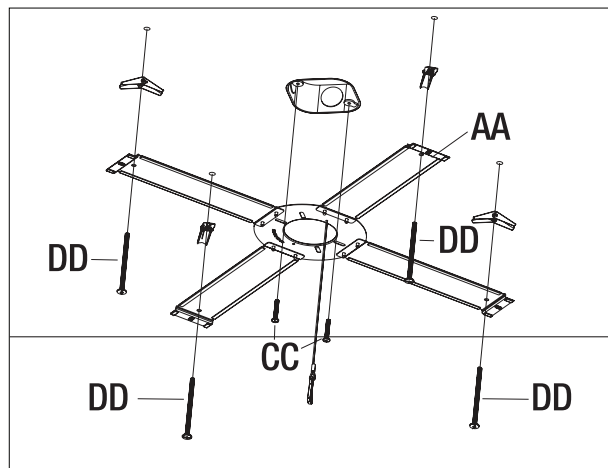
## 4 Securing the Mounting Bracket

Using the mounting bracket (AA) as a guide, mark the position of the holes on the ceiling or wall where the toggle bolts (DD) will be placed.



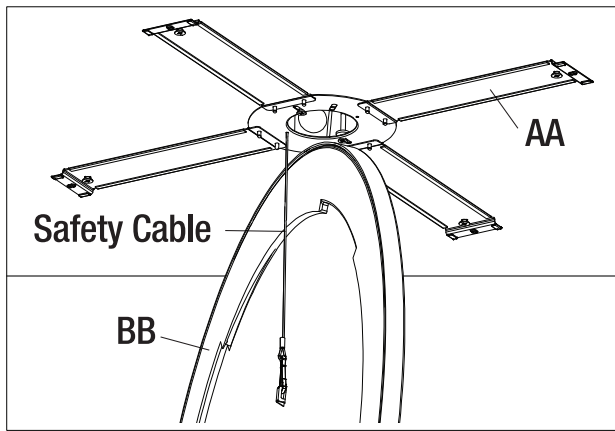
Remove the Mounting Bracket (AA) from the junction box. Drill the marked locations using a 1/2 in. drill bit. Remove the wings from the 3/16 in. Toggle Bolts (DD). Insert a screw (DD) through the front of the Mounting Bracket (AA) and reattach the wing to the screw (DD). Repeat for all Toggle Bolts (DD).

Screw the Mounting Bracket (AA) onto the Junction Box using the Junction Box Screws (CC). Re-attach the Mounting Bracket (AA) by inserting the Toggle Bolts (DD) into the drilled holes. Once the wings (DD) are through and extended, pull the Toggle Bolts (DD) downward to engage and tighten.

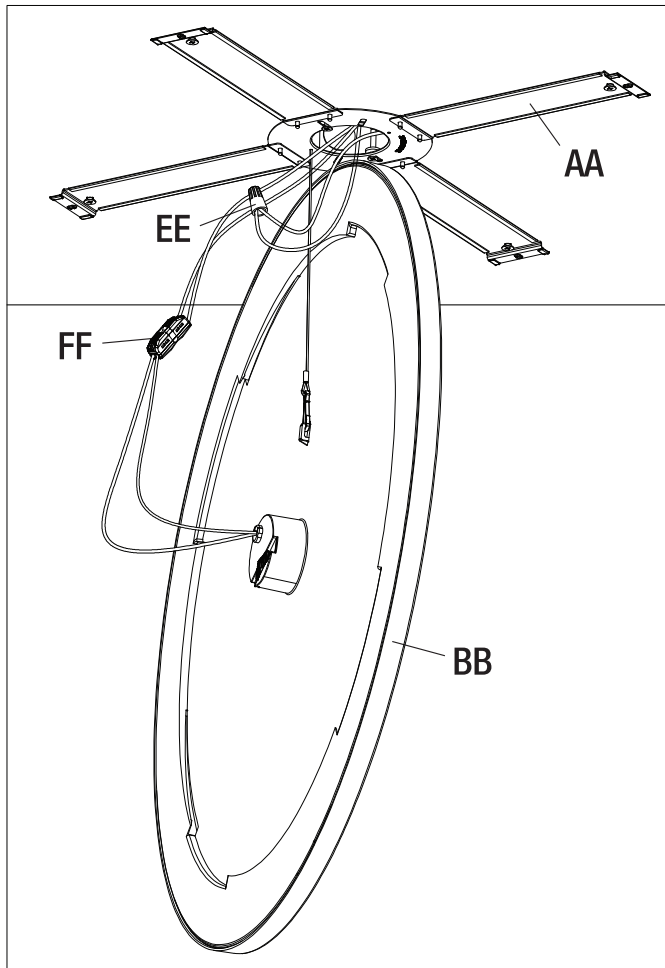


## 5 Connecting the Wires

Hook the safety cable installed in the Mounting Bracket (AA) to the Fixture (BB).



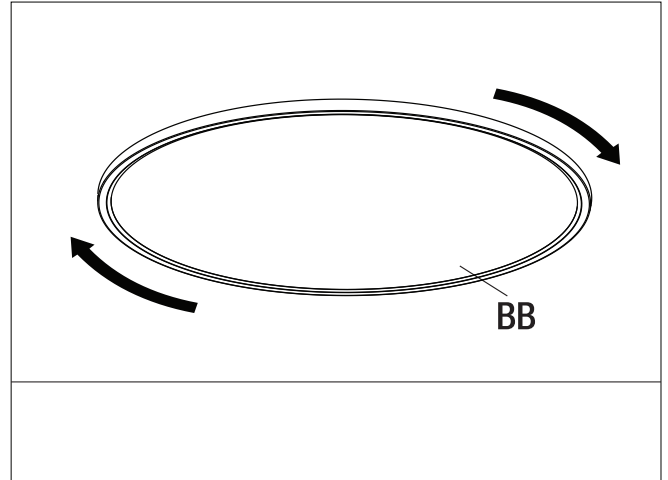
Use the wire nut (EE) to connect the ground wire. Green or bare copper wire to ground. Use the Wago Connector (FF) to connect the remaining wires. Black wire to Hot/Live. White wire to neutral.



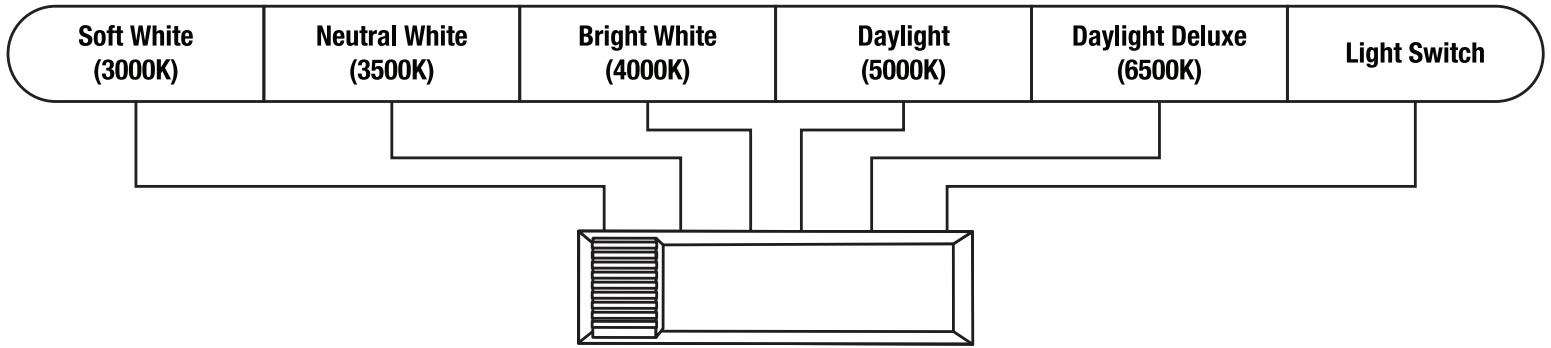
## 6 Attaching the Fixture to the Mounting Bracket



**NOTE:** Before attaching the fixture, select the preferred color temperature on the back of the fixture. See "Changing Color Settings" for details.



Tuck the wires into the junction box and then lift the Fixture (BB) to align the Mounting Bracket (AA) with the slots on the Fixture. Rotate the Fixture (BB) into the Mounting Bracket (AA) clockwise until it locks into place.



1. When the slide switch is set to 3000K, the color temperature is set to Soft White.
2. When the slide switch is set to 3500K, the color temperature is set to Neutral White.
3. When the slide switch is set to 4000K, the color temperature is set to Bright White.
4. When the slide switch is set to 5000K, the color temperature is set to Daylight.
5. When the slide switch is set to 6500K, the color temperature is set to Daylight Deluxe.
6. When the slide switch is set to SWITCH, the color temperature can be changed from 3000K, 3500K, 4000K, 5000K and 6500K with your existing light switch.
7. To change color temperatures using your existing light switch:
  - A. Set the slide switch on the back of the fixture to SWITCH.
  - B. Toggle your light switch ON and OFF within 0.5-3 seconds to cycle through the 5 different color temperatures.
  - C. If the fixture is left OFF for over 10 seconds then turned ON, the fixture will remember the last color temperature selected and will display that color when turned on again.
8. Reset function is used when operating multiple color selectable lighting products from the same light switch. In the event multiple fixtures are not displaying the same color at the same time, the fixtures must be reset using your existing light switch. Toggle the wall switch ON and OFF seven times (leave the switch in the ON position for five seconds before toggling to OFF).



## Need Help?

Thank you for your purchase.  
Questions, comments or feedback?  
We'd love to hear from you.

Visit [feit.com/help](https://feit.com/help) for support or connect with us:



@FeitElectric



@FeitElectricInc



feitelectrilighting