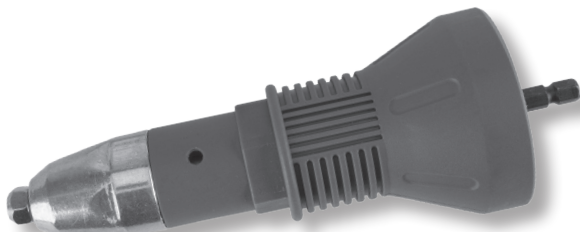


RIVET GUN DRILL ADAPTER

Item Number W9069

OWNER'S MANUAL



Performance Tool®

▲WARNING: READ, UNDERSTAND AND FOLLOW ALL INSTRUCTIONS AND WARNINGS BEFORE OPERATING THIS TOOL. FAILURE TO DO SO MAY RESULT IN PERSONAL INJURY AND/OR PROPERTY DAMAGE AND WILL VOID WARRANTY.

SPECIFICATIONS:

Adapter Length:6.3 in. (160 mm)
Weight:0.62 lb. (280 g)
MAX Speed:1000 RPM
Min. Torque Required: 15N.m
Compatible Rivet Sizes:3/32, 1/8, 5/32 & 3/16 in., 2.4, 3.2, 4.0 & 4.8 mm

Specifications are subject to change without notice.

QUICK START OPERATING INSTRUCTIONS

1. Adjust drill speed under 1000 RPM.
2. Open drill chuck. Insert adapter and tighten in place.
3. Operate drill in reverse, while holding adapter, which will open jaws for rivet.
4. Insert rivet, switch drill to forward, fit rivet into predrilled hole.
5. Pull trigger, while also holding adapter from spinning, until rivet mandrel breaks free.
6. Switch drill into reverse, pull trigger until spent mandrel drops free. Insert a new rivet.

Rivit adapter's mechanical operation:

Reverse/counter-clockwise direction = Jaws open to allow the rivet's mandrel to be inserted or release a spent, loose mandrel.

Forward/clockwise direction = Jaws of adapter close around the mandrel, pulling backward continually, compressing rivet

NOTE: When drilling rivet holes in a workpiece, use the same diameter drill bit as the outer diameter of rivet you will be using.

NOTE: Detailed operating instructions on back.

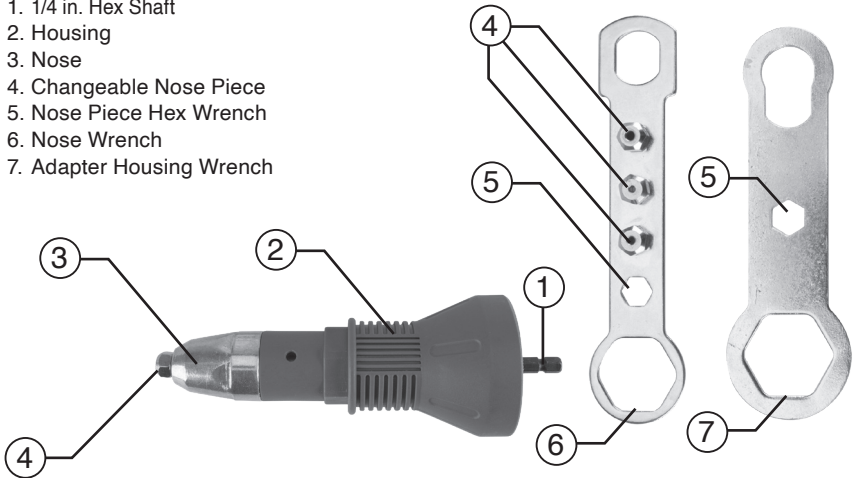
NOTE: The rivet gun adapter will not work with hammer or impact drills/drivers.

PT[®]
Performance Tool

© Copyright 2022 WILMAR, LLC., P.O. Box 88259 Tukwila, WA 98138

TOOL FEATURES

- 1/4 in. Hex Shaft
- Housing
- Nose
- Changeable Nose Piece
- Nose Piece Hex Wrench
- Nose Wrench
- Adapter Housing Wrench



OPERATION

- Select a nosepiece as close to the same diameter as the rivet mandrel you will be using.
- Thread the selected nosepiece into adapter and tighten using the 2 wrenches provided. See Fig. 1.
- Adjust drill to a speed less than 1000 RPM. In reverse/counter-clockwise open drill chuck wide enough to fit the adapter's 1/4 in. hex shaft.
- With the drill in forward/clockwise direction, insert the adapter's hex shaft into drill's chuck and pull trigger, tightening, until the adapter is held firmly. See Fig. 2.
- Fully insert mandrel and hold in the nosepiece. Then pull the drill's trigger until you hear a click. Rivet should be held in place by adapter teeth.
- With 1 hand on the housing, to keep it from rotating, and the other on the drill, insert the rivet head into your pre-drilled hole. See Fig. 3.
- While firmly pushing rivet into position, pull drill's trigger. You will hear/feel several clicks. This is the adapter's teeth pulling back the mandrel and compressing the rivet. Continue forward until mandrel releases, usually with a snap, and tool comes free. See Fig. 4.
- Switch drill to reverse/counter-clockwise, point downward then pull the trigger. The used mandrel will release and fall free from the nose of the adapter. You are now ready for the next rivet. See Fig. 5.

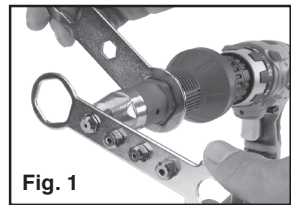


Fig. 1



Fig. 2

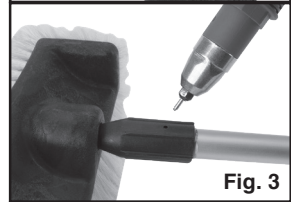


Fig. 3

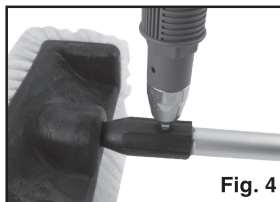


Fig. 4

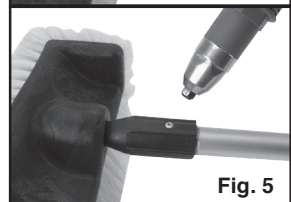


Fig. 5

Rivet:

