

# Sound Bar

## Operating Instructions

### Owner's Record

The model and serial numbers are located on the bottom of the bar speaker. Record the serial numbers in the space provided below. Refer to them whenever you call upon your Sony dealer regarding the speaker system.

Model No. HT-S400  
 Serial No. \_\_\_\_\_



5-034-773-11 (1)

HT-S400

## WARNING

The speaker system is not disconnected from the mains as long as it is connected to the AC outlet, even if the speaker system itself has been turned off.

To reduce the risk of fire, do not cover the ventilation opening of the speaker system with newspapers, tablecloths, curtains, etc. Do not expose the speaker system to naked flame sources (for example, lighted candles).

To reduce the risk of fire or electric shock, do not expose this speaker system to dripping or splashing, and do not place objects filled with liquids, such as vases, on the speaker system.

As the mains plug is used to disconnect the speaker system from the mains, connect the speaker system to an easily accessible AC outlet. Should you notice an abnormality in the speaker system, disconnect the mains plug from the AC outlet immediately.

Do not install the speaker system in a confined space, such as a bookcase or built-in cabinet.

**CAUTION**  
 Risk of explosion if the battery is replaced by an incorrect type.  
 Do not expose batteries or appliances with battery-installed to excessive heat, such as sunshine and fire.

**Do not place this product close to medical devices.**

This product (including accessories) has magnet(s) which may interfere with pacemakers, programmable shunt valves for hydrocephalus treatment, or other medical devices. Do not place this product close to persons who use such medical devices. Consult your doctor before using this product if you use any such medical device.

Indoor use only.

### For the bar speaker

The nameplate is located on the bottom of the bar speaker.

### For customers in the U.S.A.

#### NOTE

This speaker system has been tested and found to comply with the limits for a Class B digital device, pursuant to Part 15 of the FCC Rules. These limits are designed to provide reasonable protection against harmful interference in a residential installation. This speaker system generates, uses and can radiate radio frequency energy and, if not installed and used in accordance with the instructions, may cause harmful interference to radio communications. However, there is no guarantee that interference will not occur in a particular installation. If this speaker system does cause harmful interference to radio or television reception, which can be determined by turning the speaker system off and on, the user is encouraged to try to correct the interference by one or more of the following measures:

- Reorient or relocate the receiving antenna.
- Increase the separation between the speaker system and receiver.
- Connect the speaker system into an outlet on a circuit different from that to which the receiver is connected.
- Consult the dealer or an experienced radio/TV technician for help.

Properly shielded and grounded cables and connectors must be used for connection to host computers and/or peripherals in order to meet FCC emission limits.

If you have any questions about this speaker system:

Visit: <https://www.sony.com/electronics/support>  
 Contact: Sony Customer Information Service Center at 1-800-222-SONY (7669)

Write: Sony Customer Information Service Center 12451 Gateway Blvd., Fort Myers, FL 33913

### Supplier's Declaration of Conformity

Trade Name: SONY  
 Model No.: HT-S400  
 Responsible Party: Sony Electronics Inc.  
 Address: 16535 Via Espirillo, San Diego, CA 92127 USA  
 Telephone No.: 858-942-2230

This device complies with Part 15 of the FCC Rules. Operation is subject to the following two conditions: (1) This device may not cause harmful interference, and (2) this device must accept any interference received, including interference that may cause undesired operation.

### On cleaning

• Clean the speaker system with a soft, dry cloth. Do not use any type of abrasive pad, scouring powder, or solvent such as alcohol or benzene.

If you have any questions or problems concerning your speaker system, please consult your nearest Sony dealer.

## About These Operating Instructions

- The instructions in these Operating Instructions describe the controls on the remote control.
- Some illustrations are presented as conceptual drawings, and may be different from the actual products.
- Characters in brackets [ ] appear in the front panel display.

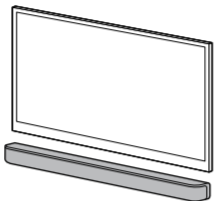
## Installation and Connection

### Connecting a TV with an HDMI Cable and/or Optical Cable

Refer to Startup Guide (separate document).

### Mounting the Bar Speaker on a Wall

You can mount the bar speaker on a wall.



#### Notes

- Prepare screws (not supplied) that are suitable for the wall material and strength. As a plasterboard wall is especially fragile, attach the screws securely in the wall beam. Install the bar speaker horizontally, hung by screws in studs in a continuous flat section of the wall.
- Have the installation done by a Sony dealer or licensed contractor and pay special attention to safety during the installation.
- If using a cable with a large plug, it may not be possible to mount the bar speaker on a wall.
- Sony shall not be held responsible for accidents or damage caused by improper installation, insufficient wall strength, improper screw installation, natural disasters, etc.

### CAUTION

You are cautioned that any changes or modifications not expressly approved in this manual could void your authority to operate this speaker system.

This speaker system must not be co-located or operated in conjunction with any other antenna or transmitter.

This speaker system complies with FCC radiation exposure limits set forth for an uncontrolled environment and meets the FCC radio frequency (RF) Exposure Guidelines. This speaker system should be installed and operated keeping the radiator at least 20 cm or more away from person's body.

### For customers in Canada

Properly shielded and grounded cables and connectors must be used for connection to host computers and/or peripherals.

This speaker system contains license-exempt transmitter(s)/receiver(s) that comply with Innovation, Science and Economic Development Canada's license-exempt RSS(s). Operation is subject to the following two conditions:

- 1) This speaker system may not cause interference; and
- 2) This speaker system must accept any interference, including interference that may cause undesired operation of the speaker system.

This speaker system complies with ISED radiation exposure limits set forth for an uncontrolled environment and meets RSS-102 of the ISED radio frequency (RF) Exposure rules. This speaker system should be installed and operated keeping the radiator at least 20 cm or more away from person's body.

## Precautions

#### On safety

- Should any solid object or liquid fall into the speaker system, unplug the speaker system and have it checked by qualified personnel before operating it any further.
- Do not climb on the speaker system, as you may fall down and injure yourself, or speaker system damage may result.

#### On power sources

• Before operating the speaker system, check that the operating voltage is identical to your local power supply. The operating voltage is indicated on the nameplate on the bottom of the bar speaker.

- If you are not going to use the speaker system for a long time, be sure to disconnect the speaker system from the wall outlet (mains). To disconnect the AC power cord (mains lead), grasp the plug itself, never pull the cord.
- One blade of the plug is wider than the other for the purpose of safety and will fit into the wall outlet (mains) only one way. If you are unable to insert the plug fully into the outlet, contact your dealer.
- The AC power cord (mains lead) must be changed only at a qualified service shop.

#### On heat buildup

Although the speaker system heats up during operation, this is not a malfunction. If you continuously use this speaker system at high volume, the speaker system temperature at the rear and bottom rises considerably. To avoid burning yourself, do not touch the speaker system.

#### On placement

- Place the speaker system in a location with adequate ventilation to prevent heat buildup and prolong the life of the speaker system.
- Do not place the speaker system near heat sources or in a place subject to direct sunlight, excessive dust, or mechanical shock.
- Do not place anything on the top of the bar speaker.
- If the speaker system is being used in combination with a TV, VCR, or tape deck, noise may result and picture quality may suffer. In such a case, place the speaker system away from the TV, VCR, or tape deck.
- Use caution when placing the speaker system on a surface that has been specially treated (with wax, oil, polish, etc.), as staining or discoloration of the surface may result.
- Take care to avoid any possible injury from the corners of the bar speaker.

#### On operation

Before connecting other equipment, be sure to turn off and unplug the speaker system.

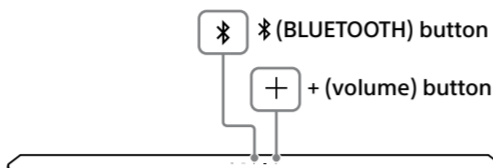
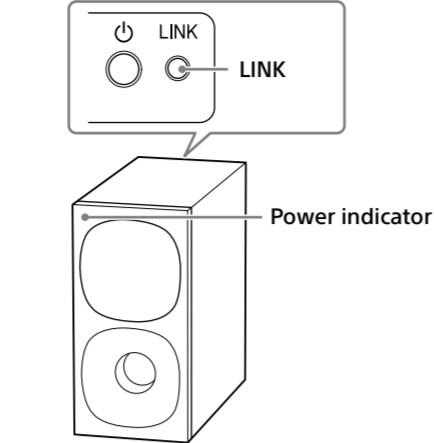
### If you encounter color irregularity on a nearby TV screen

Color irregularities may be observed on certain types of TV.

- If color irregularity is observed... Turn off the TV, then turn it on again after 15 to 30 minutes.
- If color irregularity is observed again... Place the speaker system further away from the TV.

## Connecting the Subwoofer Manually

If you cannot connect the subwoofer to the speaker system, or you use multiple wireless products and want to specify the wireless connection to link the speaker system to the subwoofer, perform the manual connection.



- 1 Press and hold **[BLUETOOTH]** and **+** (volume) on the bar speaker for more than 5 seconds. [SECURE LINK] appears, then [LINK] flashes in the front panel display. To cancel the manual connection, press and hold **[BLUETOOTH]** and **+** (volume) on the bar speaker for more than 5 seconds again.

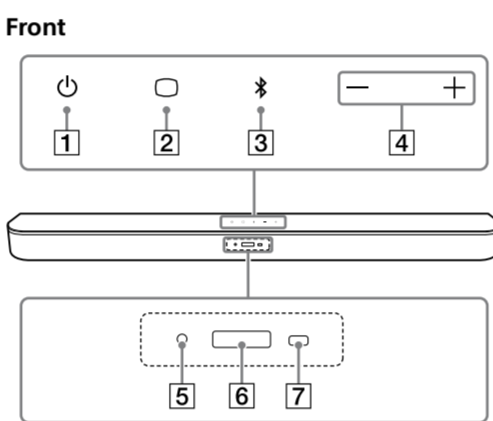
- 2 Press **LINK** on the subwoofer. The manual connection starts. The power indicator of the subwoofer flashes in amber.

- 3 Make sure that [DONE] appears in the front panel display. The manual connection is established and the power indicator of the subwoofer lights in amber.

**Note**  
 If [ERROR] appears in the front panel display, the connection of the subwoofer has not been established. Perform the manual connection again.

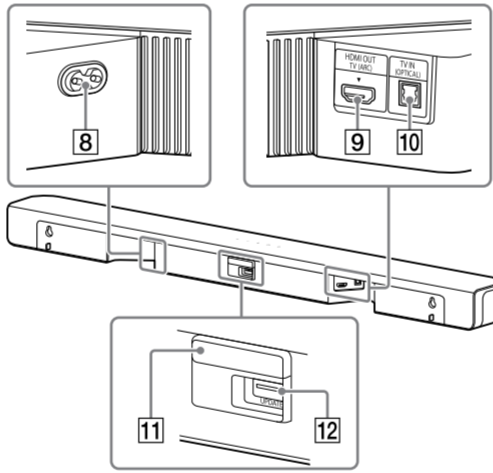
## Parts and Controls

### Bar Speaker



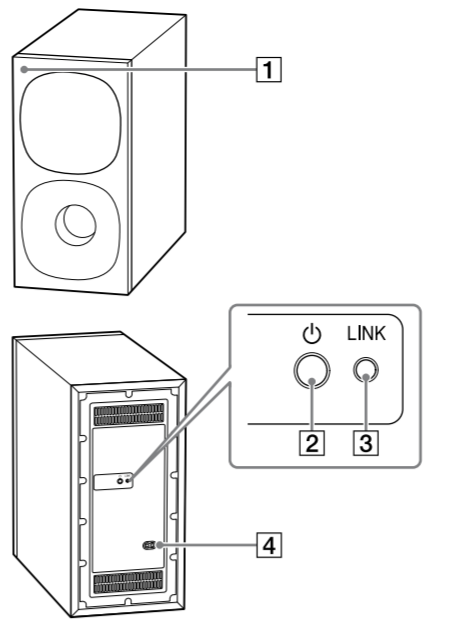
- 1 **(power) button**  
Turns on the speaker system or sets it to standby mode.
- 2 **[TV] button**
- 3 **[BLUETOOTH] button**
- 4 **+/- (volume) buttons**
- 5 **BLUETOOTH indicator**  
– Flashes twice in blue: During pairing standby status  
– Flashes in blue: BLUETOOTH connection is being attempted.  
– Lights in blue: BLUETOOTH connection has been established.
- 6 **Front panel display**
- 7 **Remote control sensor**  
Point the remote control at the remote control sensor to operate the speaker system.

### Rear



- 8 **AC inlet**
- 9 **HDMI OUT (TV (ARC)) jack**  
Connect a TV that has an HDMI input jack with an HDMI cable. The speaker system is compatible with Audio Return Channel (ARC). ARC is the function that sends TV sound to an AV device such as the speaker system from the TV's HDMI jack.
- 10 **TV IN (OPTICAL) jack**
- 11 **IR repeater**  
Transmits the remote signal of the TV remote control to the TV.
- 12 **UPDATE port**  
Connect the USB memory when updating the speaker system.

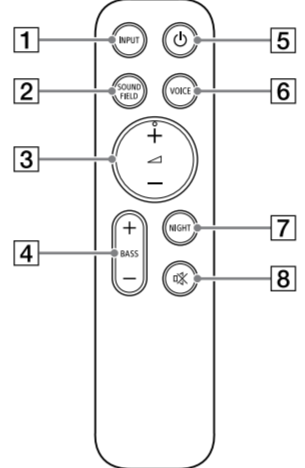
### Subwoofer



- 1 **Power indicator**  
– Lights in green: The subwoofer is connected to the speaker system.  
– Lights in red: The subwoofer is in standby mode.  
– Lights in amber: The subwoofer is connected to the speaker system with the manual connection.  
– Flashes slowly in green: The subwoofer is attempting to connect to the speaker system.  
– Flashes slowly in amber: The subwoofer is attempting to connect to the speaker system with the manual connection.  
– Flashes twice in amber: The subwoofer is in pairing standby status with the manual connection.  
– Flashes quickly in amber: The software is updating.  
– Turns off: The subwoofer is turned off.
- 2 **(power) button**  
Turns on or off the subwoofer.
- 3 **LINK button**
- 4 **AC inlet**

### Remote Control

Some buttons function differently depending on how long the button is pressed. This section explains the functions when pressed shortly. For details about other functions, refer to "Changing the Settings" on the back page.



- 1 **INPUT**  
Selects the input for playback on the speaker system. Each time you press INPUT, the input source toggles between the TV and BLUETOOTH input.
- 2 **SOUND FIELD**  
Turns on/off the surround effect.
- 3 **(volume) +/-**  
Adjusts the volume.
- 4 **BASS +/-**  
Adjusts the subwoofer volume.
- 5 **(power) button**  
Turns on the speaker system or sets it to standby mode.
- 6 **VOICE**  
Turns on/off the voice mode.
- 7 **NIGHT**  
Turns on/off the night mode.
- 8 **(mute) button**  
Mutes the sound temporarily.

\* The (volume) +/- button has a tactile dot. Use it as a guide during operation.

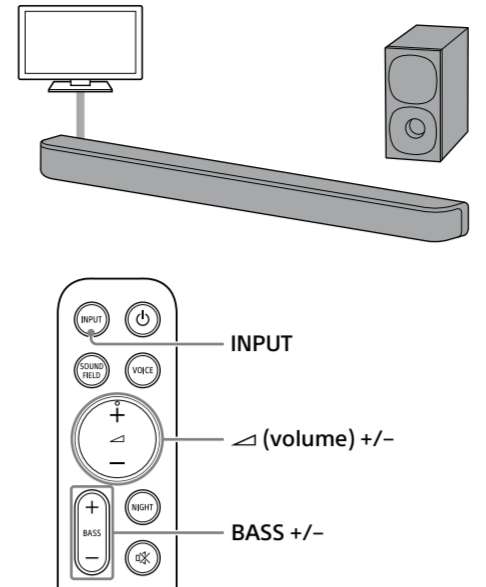
### About the replacement of batteries for the remote control

When the speaker system does not respond by operating with the remote control, replace two batteries with new batteries. Use R03 (size AAA) manganese batteries for replacement.

## Listening to Music/Sound

### Listening to a TV Connected with an HDMI Cable (ARC) or Optical Digital Cable

You can listen to TV sound on the speaker system.



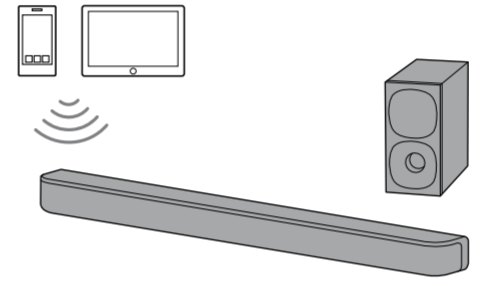
- 1 Press **INPUT** repeatedly to select [TV] in the front panel display.
- 2 **Adjust the volume.**  
• Adjust the volume by pressing (volume) +/- on the remote control.  
• Adjust the subwoofer volume by pressing BASS +/- on the remote control.

**Note**  
 When you connect the TV to both the HDMI OUT (TV (ARC)) and TV IN (OPTICAL) jacks, the jack for audio input is selected depending on which audio signal is input first.

**Tip**  
 You can also select the input by pressing **[TV]** on the bar speaker.

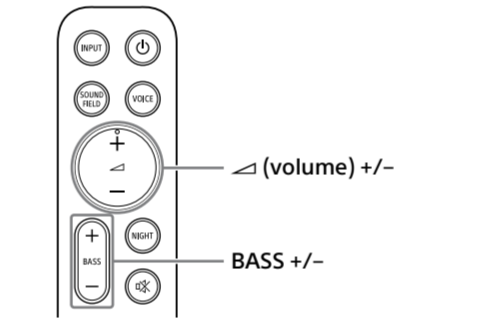
### Listening to Music from a Mobile Device with the BLUETOOTH® Function

You can listen to music stored on a mobile device such as a smartphone or tablet via wireless connection by connecting the speaker system and the mobile device with the BLUETOOTH function. When connecting to the mobile device with the BLUETOOTH function, you can perform operations simply through the speaker system without turning the TV on.



### Listening to Music by Pairing with a Mobile Device

You need to perform pairing of the speaker system and mobile device by using the BLUETOOTH function. Pairing is the process required to mutually register the information on BLUETOOTH devices to be connected wirelessly in advance.



- 1 Press and hold **[BLUETOOTH]** on the bar speaker for 2 seconds.
- 2 Make sure that the BLUETOOTH indicator on the bar speaker flashes twice repeatedly in blue and [PAIRING] appears in the front panel display. The speaker system enters the pairing mode.
- 3 On the mobile device, search for the speaker system by performing the pairing operation. The list of the BLUETOOTH devices that are detected appears on the screen of the mobile device. For the operation method to pair the BLUETOOTH device to the mobile device, refer to the operating instructions of the mobile device.
- 4 Pair the speaker system and mobile device by selecting "HT-S400" from the list on the screen of the mobile device. If a passkey is requested, enter "0000."
- 5 Make sure that the BLUETOOTH indicator on the bar speaker lights in blue and [BT] appears in the front panel display. A connection between the speaker system and mobile device has been established.
- 6 Start audio playback with the music app on the connected mobile device. Sound is output from the speaker system.
- 7 Adjust the volume.  
• Adjust the volume by pressing (volume) +/- on the remote control.  
• Adjust the subwoofer volume by pressing BASS +/- on the remote control.

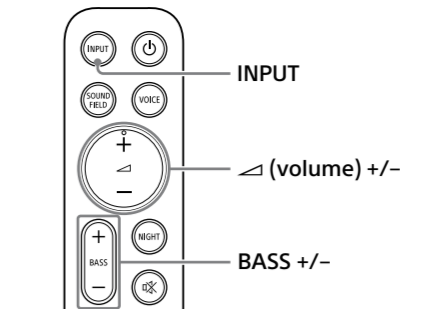
- 8 Select the program or input of the device by using the TV remote control. The sound of the displayed image on the TV screen is output from the speaker system.
- 9 Adjust the volume of the speaker system by using the TV remote control. When pressing the muting button on the TV remote control, the sound is muted temporarily.

**Notes**  
 • If the TV sound is not output from the speaker system, press INPUT to select the TV input and check the status of the front panel display and indicators on the bar speaker.  
 – [TV-BT] appears in the front panel display. The speaker system and TV are connected, and TV sound is output from the speaker system.  
 – The BLUETOOTH indicator flashes twice repeatedly and [PAIRING] appears in the front panel display. Perform pairing on the TV.  
 – [TV] appears in the front panel display. Perform steps from the start.  
 • When you connect the speaker system and TV with an HDMI cable, the BLUETOOTH connection is canceled. To connect the speaker system and TV with the BLUETOOTH function again, disconnect the HDMI cable, then perform the connecting operation from the start.

**Notes**  
 • You can pair up to 9 BLUETOOTH devices. If a 10th BLUETOOTH device is paired, the oldest connected device will be replaced by the new one.  
 • Perform pairing for the second and subsequent mobile devices.

- You can check the connection status of the BLUETOOTH function by checking the BLUETOOTH indicator status.
- While the BLUETOOTH input is being selected, the speaker system enters the pairing mode by pressing **[BLUETOOTH]** on the bar speaker shortly.

### Listening to Music from the Paired Mobile Device



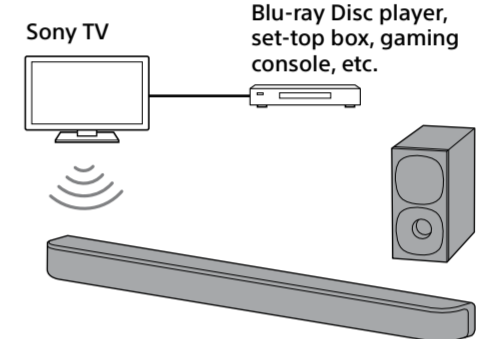
- 1 Turn the BLUETOOTH function of the mobile device on.
- 2 Press **INPUT** repeatedly to select [BT] or press **[BLUETOOTH]** on the bar speaker shortly. The BLUETOOTH indicator flashes and the speaker system automatically reconnects to the BLUETOOTH device it was most recently connected to.
- 3 Make sure that the BLUETOOTH indicator on the bar speaker lights in blue and [BT] appears in the front panel display. A connection between the speaker system and mobile device has been established.
- 4 Start audio playback with the music app on the connected mobile device. Sound is output from the speaker system.
- 5 Adjust the volume.  
• Adjust the volume by pressing (volume) +/- on the remote control.  
• Adjust the subwoofer volume by pressing BASS +/- on the remote control.

## Listening to Sony TV Sound with the BLUETOOTH Function

### What You Can Do by Connecting a TV with the BLUETOOTH Function

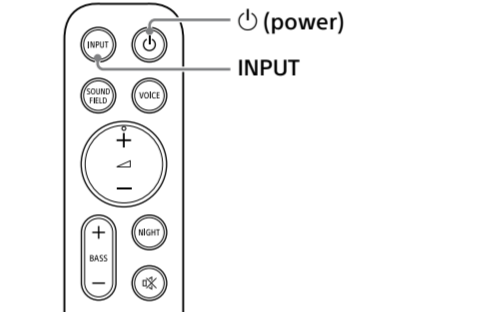
When using Sony TV\* with the BLUETOOTH function, you can listen to sound of the TV or device that is connected to the TV by connecting the speaker system and TV wirelessly.

\* The TV needs to be compatible with A2DP (Advanced Audio Distribution Profile) of the BLUETOOTH profile.

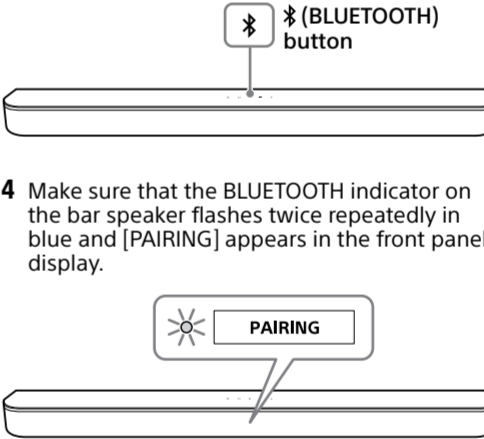


### Listening to TV Sound by Connecting the Speaker System and TV Wirelessly

You need to perform pairing of the speaker system and TV by using the BLUETOOTH function.



- 1 Turn on the TV.
- 2 Press **(power)** to turn on the speaker system.
- 3 Press and hold **[BLUETOOTH]** on the bar speaker and **INPUT** on the remote control simultaneously for 5 seconds. The speaker system enters the BLUETOOTH pairing mode. [TV-BT] and [ON] appears in blue in the front panel display.



- 4 Make sure that the BLUETOOTH indicator on the bar speaker flashes twice repeatedly in blue and [PAIRING] appears in the front panel display.
- 5 On the TV, search for the speaker system by performing the pairing operation. The list of the BLUETOOTH devices that are detected appears on the TV screen. For the operation method to pair the BLUETOOTH device to the TV, refer to the operating instructions of the TV.

- 6 Pair the speaker system and TV by selecting "HT-S400" from the list on the TV screen.
- 7 Make sure that the BLUETOOTH indicator on the bar speaker lights in blue and [TV-BT] appears in the front panel display. A connection between the speaker system and TV has been established.

- 8 Select the program or input of the device by using the TV remote control. The sound of the displayed image on the TV screen is output from the speaker system.
- 9 Adjust the volume of the speaker system by using the TV remote control. When pressing the muting button on the TV remote control, the sound is muted temporarily.

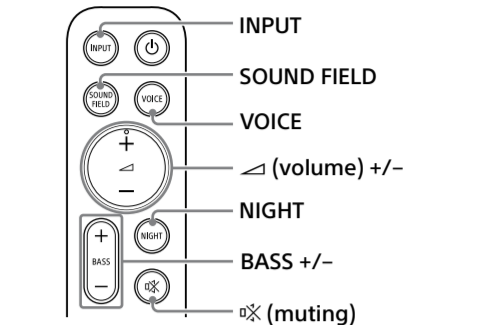
**Notes**  
 • If the TV sound is not output from the speaker system, press INPUT to select the TV input and check the status of the front panel display and indicators on the bar speaker.  
 – [TV-BT] appears in the front panel display. The speaker system and TV are connected, and TV sound is output from the speaker system.  
 – The BLUETOOTH indicator flashes twice repeatedly and [PAIRING] appears in the front panel display. Perform pairing on the TV.  
 – [TV] appears in the front panel display. Perform steps from the start.  
 • When you connect the speaker system and TV with an HDMI cable, the BLUETOOTH connection is canceled. To connect the speaker system and TV with the BLUETOOTH function again, disconnect the HDMI cable, then perform the connecting operation from the start.

### Listening to Sound of the Paired TV

- 1 Turn on the TV with the TV remote control. The speaker system is turned on by interlocking with the TV power and TV sound is output from the speaker system.
- 2 Select the program or input of the device by using the TV remote control. The sound of the displayed image on the TV screen is output from the speaker system.
- 3 Adjust the volume of the speaker system by using the TV remote control. When pressing the muting button on the TV remote control, the sound is muted temporarily.

**Tip**  
 When the TV is turned off, the speaker system is also turned off by interlocking with the TV power.

### About operations with the remote control that is supplied with the speaker system You can use the following buttons.



**Note**  
 If you select the BLUETOOTH input on the remote control supplied with the speaker system, the TV sound is not output from the speaker system. To output the TV sound, press INPUT on the remote control to change to the TV input.

