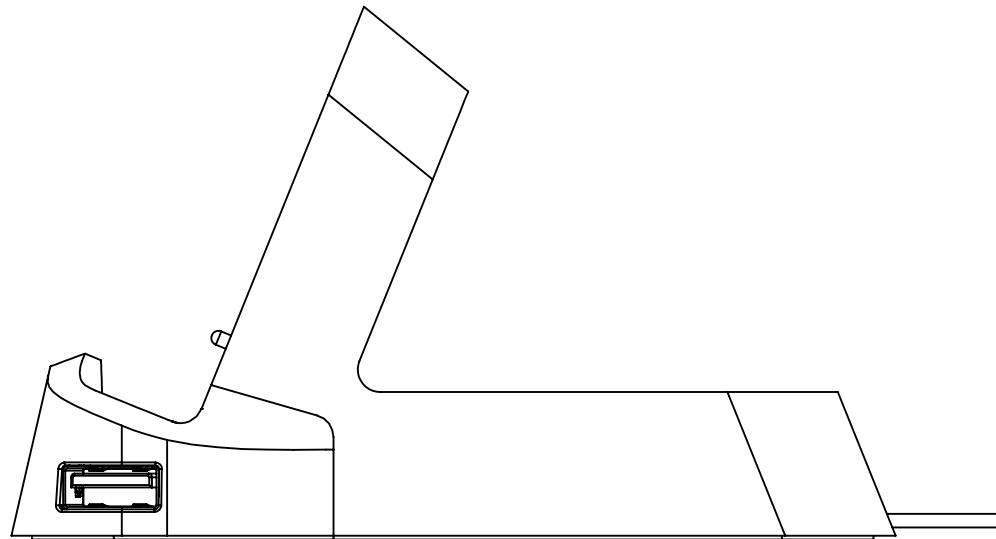
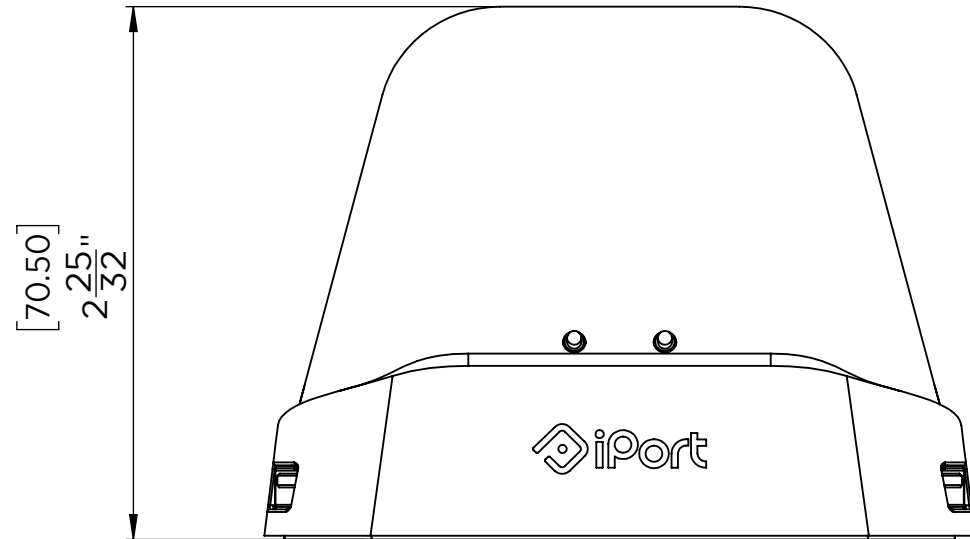


4

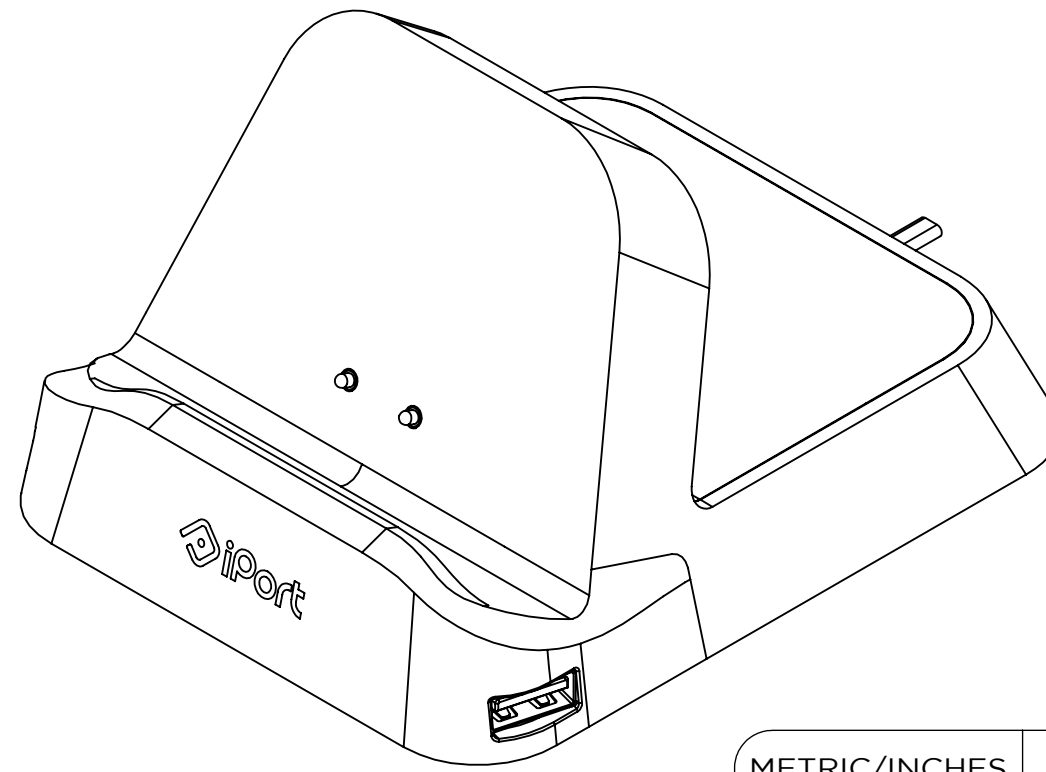
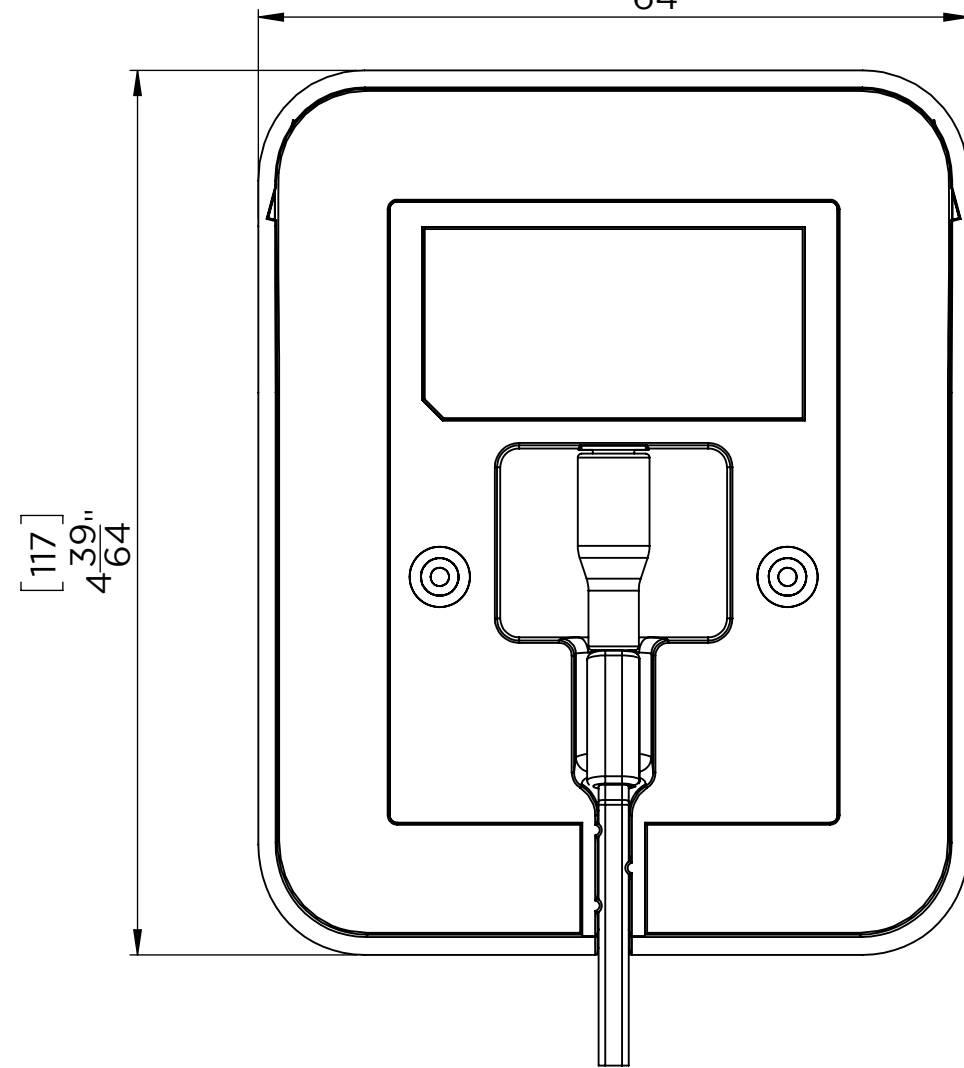
3

2

1



[94]
3 ⁴⁵/₆₄"



| | | | |
|--|--------------|---------------------|--|
| METRIC/INCHES | | iPORT BY SONANCE | |
| DESIGNED IN SAN CLEMENTE, CALIFORNIA BY IPORT | | NAME STAND 2.0 | |
| NOTICE OF PROPRIETARY INFORMATION: THE INFORMATION CONTAINED HEREIN IS THE PROPRIETARY PROPERTY OF DANA INNOVATIONS. THE POSSESSOR AGREES TO THE FOLLOWING: 1. TO MAINTAIN THIS DOCUMENT IN CONFIDENCE 2. NOT TO REPRODUCE OR COPY IT 3. NOT TO REVEAL OR PUBLISH IT IN WHOLE OR IN PART 4. ALL RIGHTS RESERVED | | | |
| SIZE B | SKU 70235 | REV A | |
| SCALE: 1:2 | WEIGHT: | SHEET 1 OF 1 | |

4

3

2

1