



B16SC



Car Dealerships



Kitchens



Tight Spaces

Better Built. Better Equipment.

Replace The Mop Bucket

Get Better Cleaning Results - Faster - with Far Less Effort!



Quick-Release
Lever Control Squeegee



Intuitive User
Control Panel

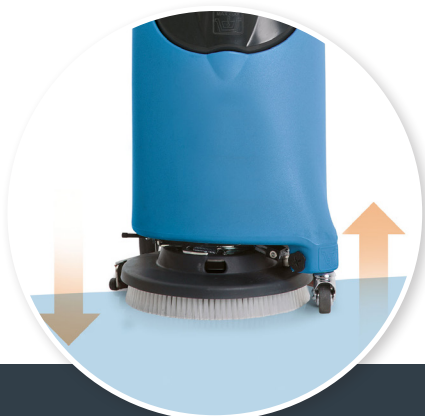
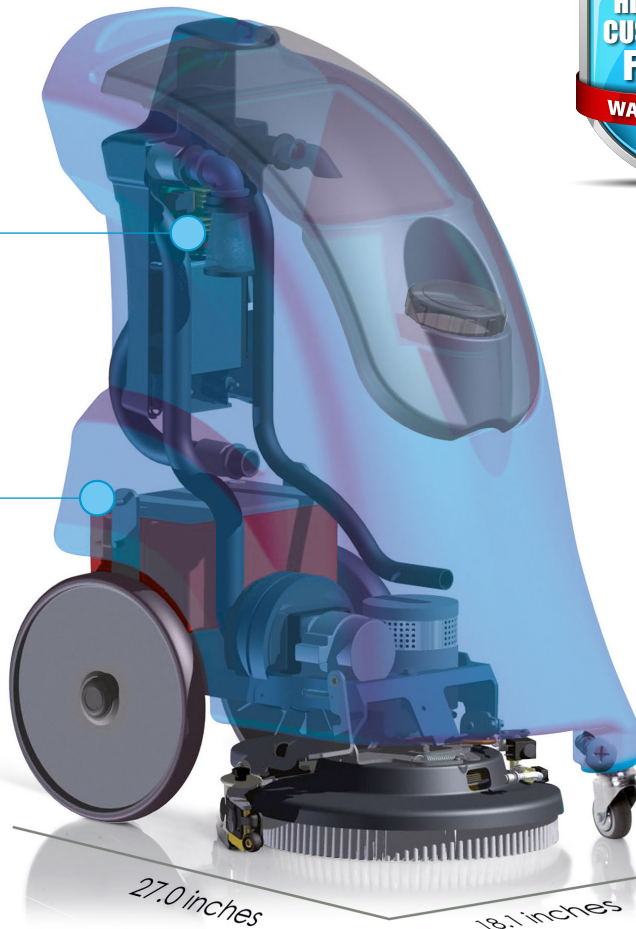


Easily Remove and
Replace Battery

Float switch for
suction motor
protection.

Onboard "plug-in"
battery charging.

Over-sized wheels
and light weight
for increased
maneuverability.



Auto Adjust

The B16 automatically
adjusts to any floor
type to deliver high-
performance cleaning.

Center Feed-Solution

Excellent drying performance
thanks to solution outflow
from the center of the brush
preventing splashes of water
on the floor.

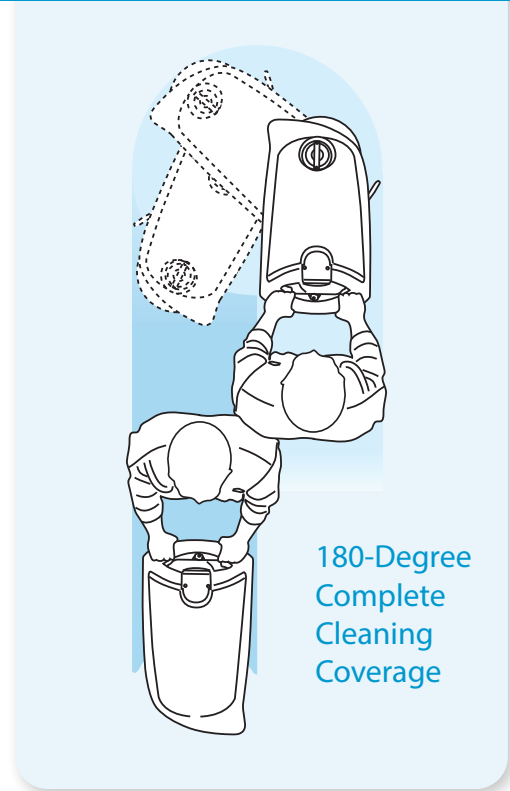
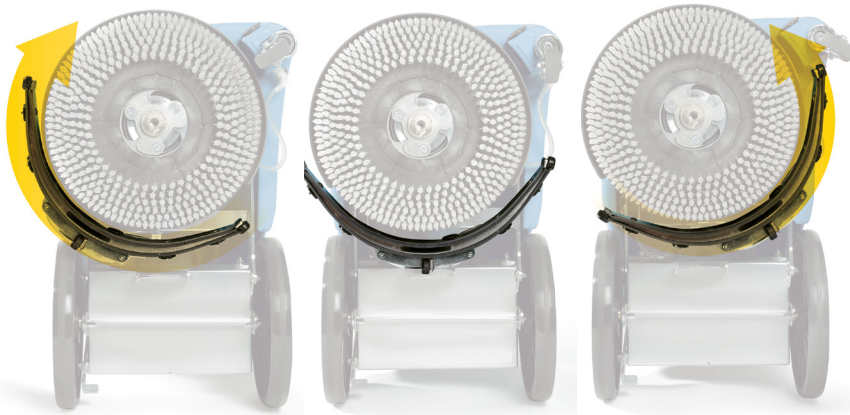


Productivity: Up to 13,000 Sq. Ft. per hour



Perfect Drying

The powerful suction motor is paired with a parabolic squeegee that swings around the brush and leaves the floor dry and safe.



Simple Operation

Simple operation - simple access - minimal training - easy routine maintenance.



Automatic Brush Coupling

Just a light impulse of the brush motor control is enough to couple and release the brush automatically.



Standard Onboard Charging

The B16 comes with onboard battery charging, simplifying recharging.



Better Built. Better Equipment.

ORDER WITH FACTORY INSTALLED BATTERIES

Equipment purchased with factory installed batteries include batteries, cables, and an onboard charger.

Specifications		B16SC
Hillyard Item Number		HIL56002SLA
Cleaning Path	In	16
Squeegee Width	In	18
Disc Brushes	(No.) In	(1) 16
Solution Tank	Gal	5.8
Recovery Tank	Gal	5.3
Supply/Traction	V	12/Brush Assist
Acoustic Level (Iso 11201)	Db (A)	<70
Brush Motor(s)	(No.) V/W	(1) 12/250
Vacuum Motor	V/W	12/250
Brushes RPM	RPM/Min.	140
Brush Pressure	Lb	44
Forward Speed	MPH	0 - 1.86
Gradeability	%	2
Productivity	Sq.ft/Hr	13,000
Battery Compartment Dimensions (L,H,W)	In	13.0, 10.1, 7.1
Battery Type		Trojan AES
Quantity		1
Voltage / Capacity		12 V / 130 AH
Battery Weight (Each)	lbs	83
Machine Dimensions (L,H,W)	In	27.0, 37.2 , 18.1
Charging System		Onboard
Machine Weight (Without Battery)	Lb	93
Contents		1 - Machine 1 - Nylon Brush 1 - Pad Holder 1 - Charging Cord 1 - Owners Kit



Squeegee Replacement Guide		B16SC
Front Squeegee		HIL420648
Rear Squeegee		HIL420649

Brush and Pad Guide		B16SC
Brush(es) - Medium, 0.6MM PPL, White (Standard)		HIL428782
Brush(es) - Soft, 0.3MM PPL, Blue		HIL429372
Brush(es) - Stiff, 0.9MM PPL, Black		HIL432674
Pad - Red		HIL42216



HILLYARD
The Cleaning Resource®

PO Box 909
St. Joseph, MO 64502
www.hillyard.com

LIT-B16-1024