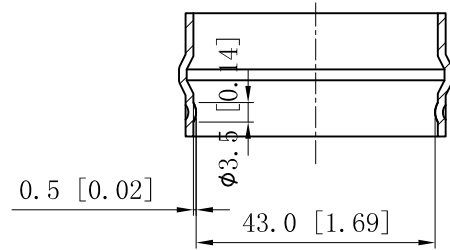
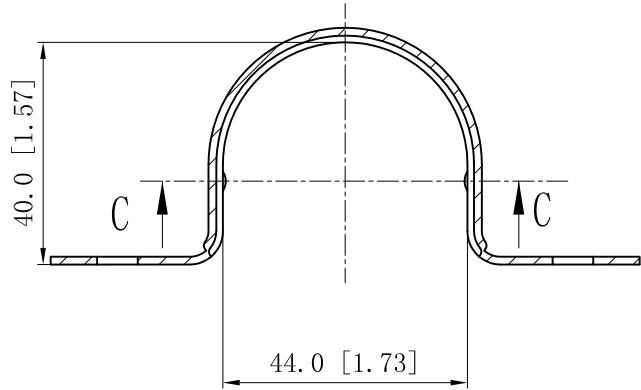


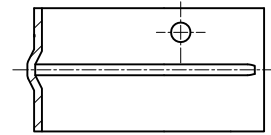
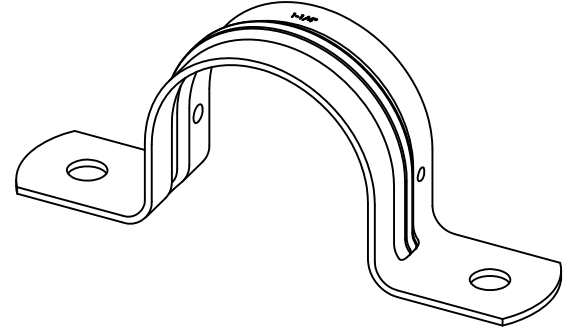
SIDES	BOTTOM
Material: 0.051" - Stainless steel 316	



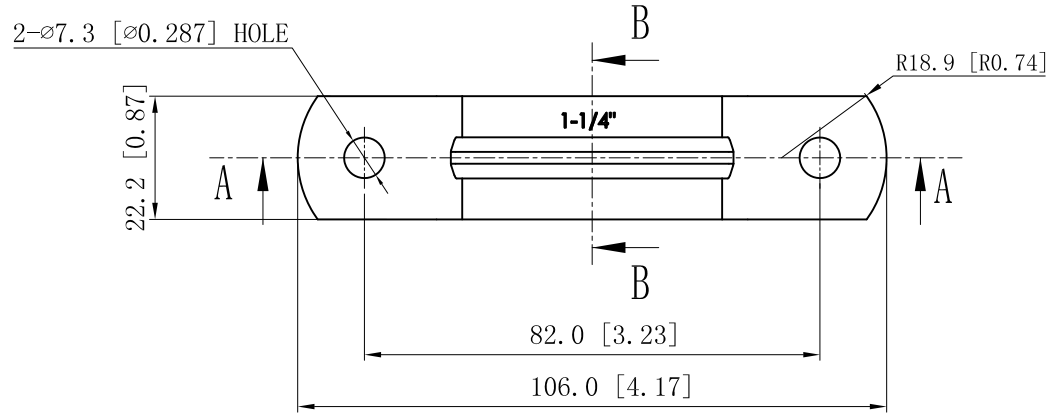
CUTAWAY VIEW C-C



CUTAWAY VIEW A-A



CUTAWAY VIEW B-B



This data sheet is for reference only. GARVIN INDUSTRIES reserves the right to make changes to the design without prior notice.

DESCRIPTION
TRADE REFERENCE TERMS

STANDARD PACKING	GARVIN INDUSTRIES		
	TWO-HOLE STRAPS		
	TITLE		
SIZE	DWG NO.	THSSR-125	REV
A4		DATA SHEET	
www.garvinindustries.com			