

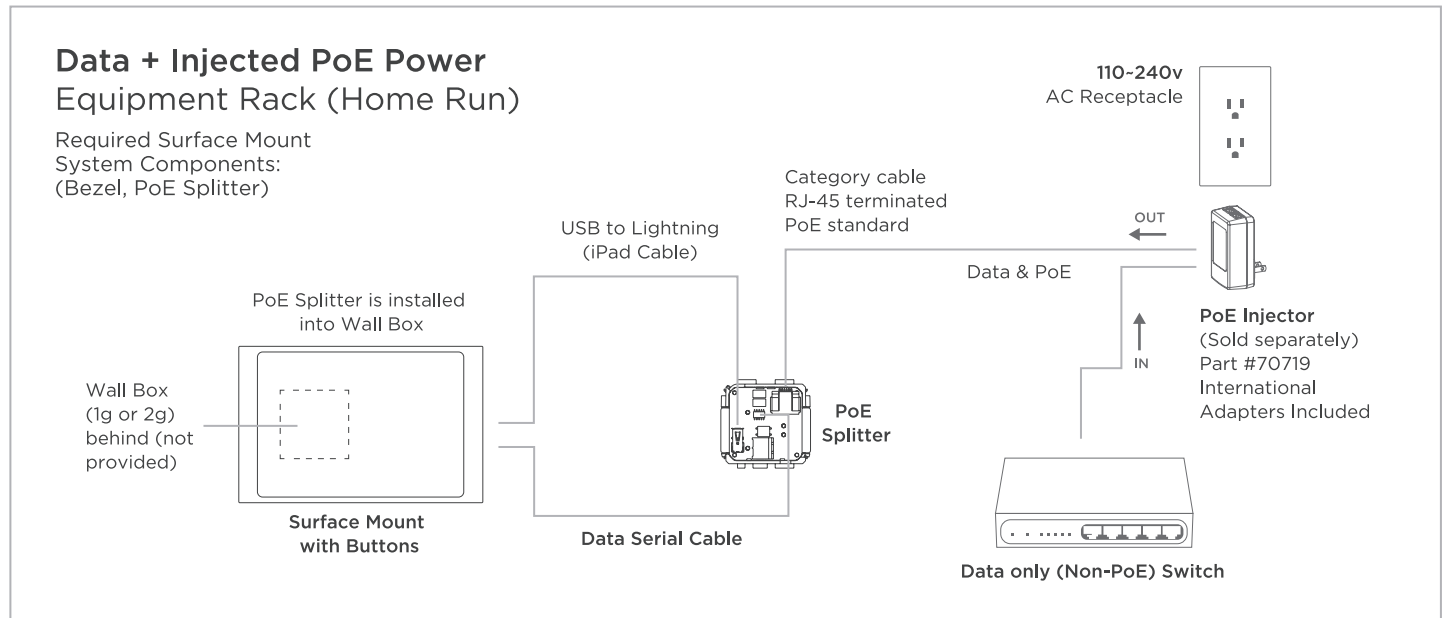
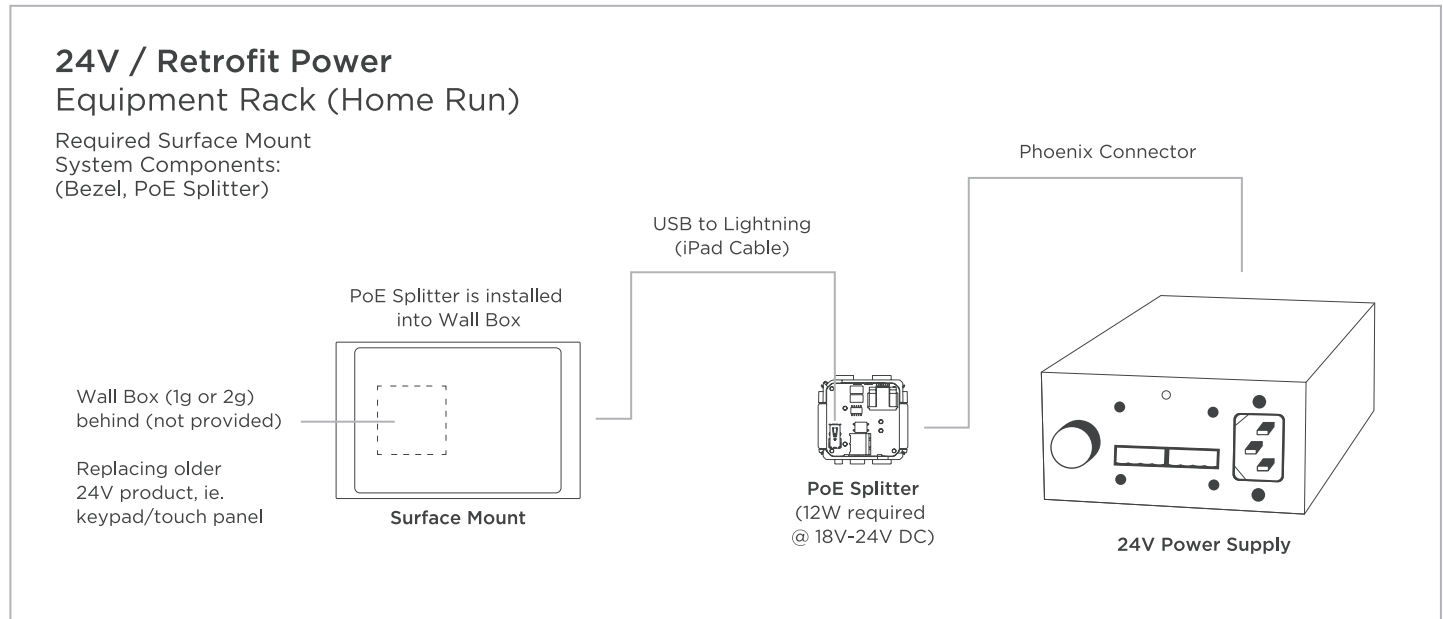
POWER & WIRING GUIDE

There are many options to power the Surface Mount product. These are the various power and wiring scenarios and the required components.

BOX CONTENTS

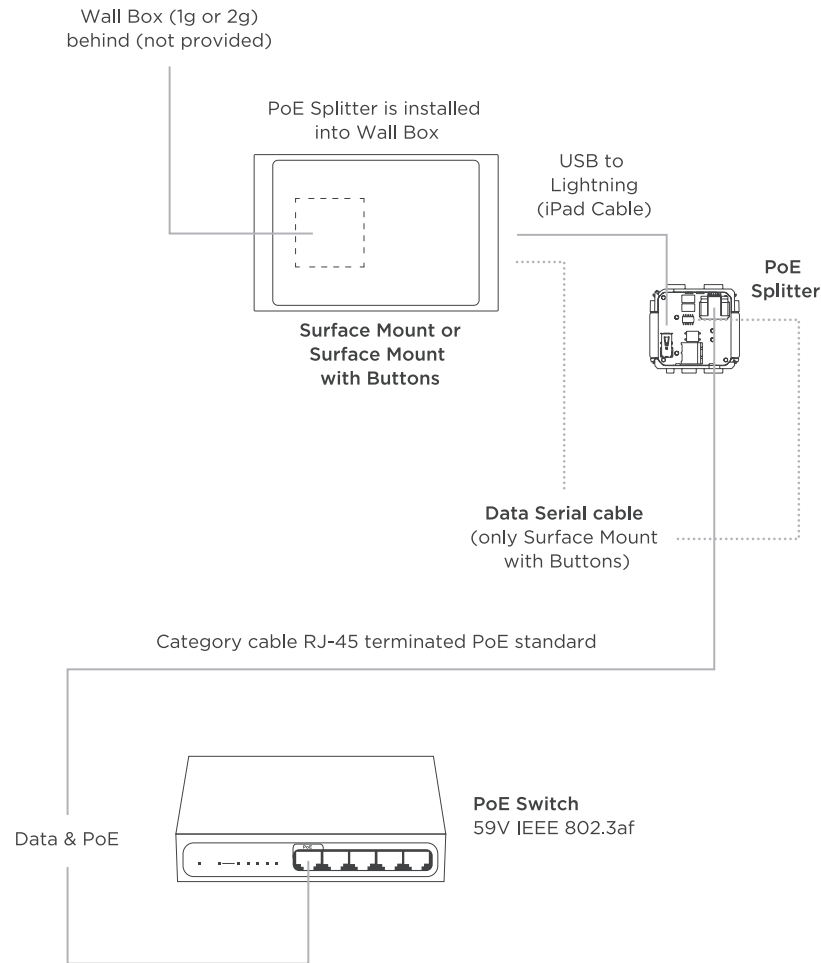
PoE Splitter (70718)
 Input: PoE IEEE 802.3af
 Aux Input: 18V DC TO 24V DC
 Output: 5V DC via USB up to 12W

If using PoE power, remove Phoenix Connector from PoE Splitter prior to installation.



PoE Power Equipment Rack (Home Run)

Required Surface Mount System Components: (Bezel, PoE Splitter)



Receptacle Power Wall Box & Grommet

Required Surface Mount System Components: (Bezel, PoE Splitter, PoE Injector)

