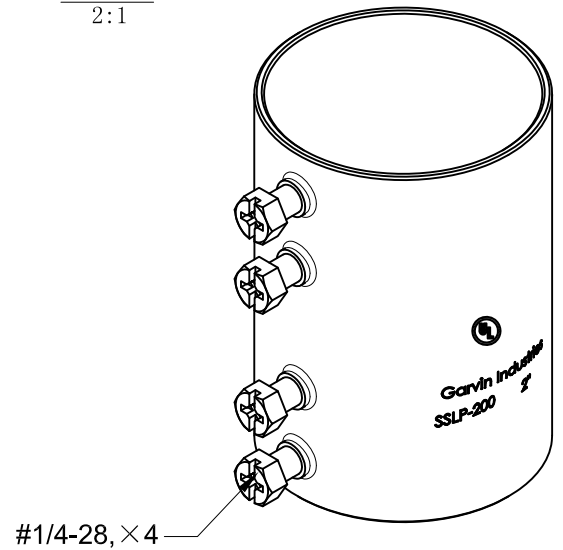
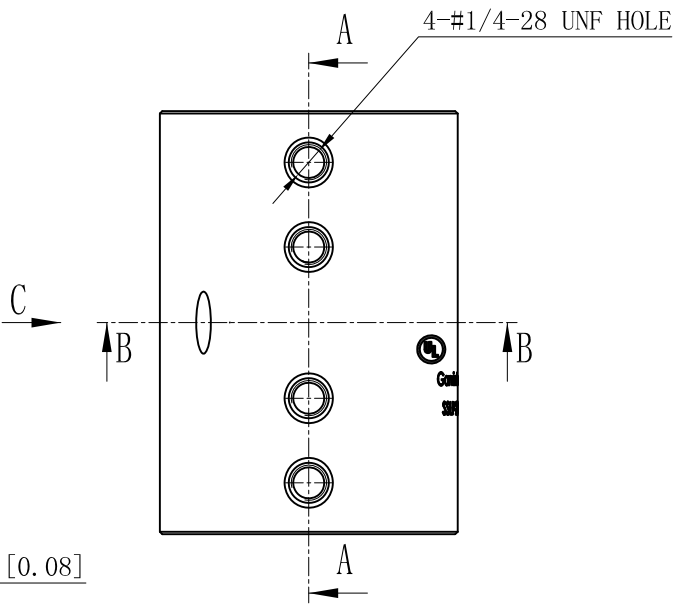
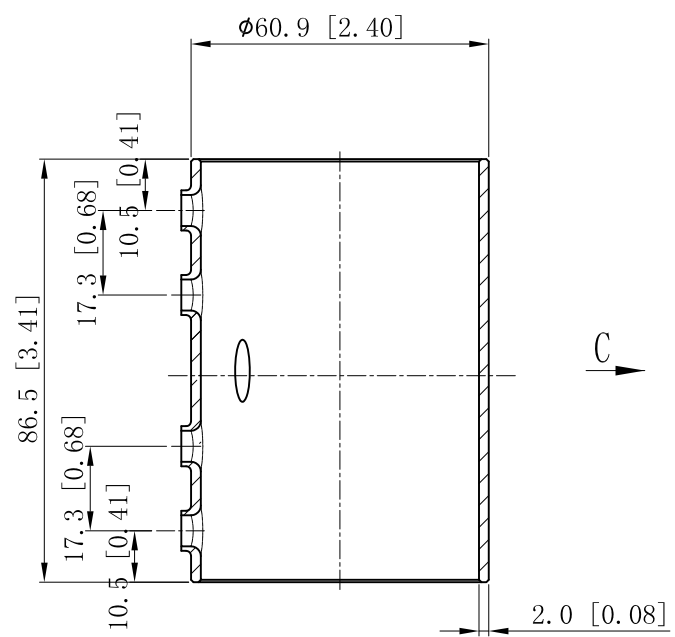
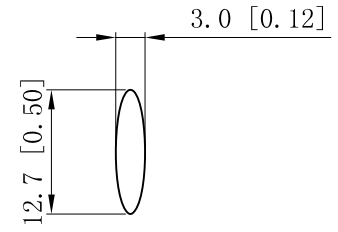
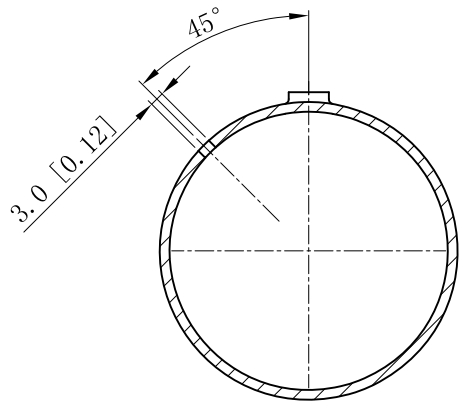


| | |
|--|--------|
| SIDES | BOTTOM |
| | |
| | |
| | |
| 4 PCS #1/4-28×3/8 Screws Installed | |
| Material:Steel-Welding tube, zinc plated | |



This data sheet is for reference only .GARVIN INDUSTRIES reserves the right to make changes to the design without prior notice.

| |
|-----------------------|
| DESCRIPTION |
| |
| TRADE REFERENCE TERMS |
| |

| | | | |
|--------------------------|--|---------------------|----------|
| STANDARD PACKING | GARVIN INDUSTRIES | | |
| | TITLE STEEL EMT SET SCREW COUPLINGS | | |
| | SIZE A4 | DWG NO. SSLP-200 | REV C |
| | DATA SHEET | | |
| www.garvinindustries.com | | | |