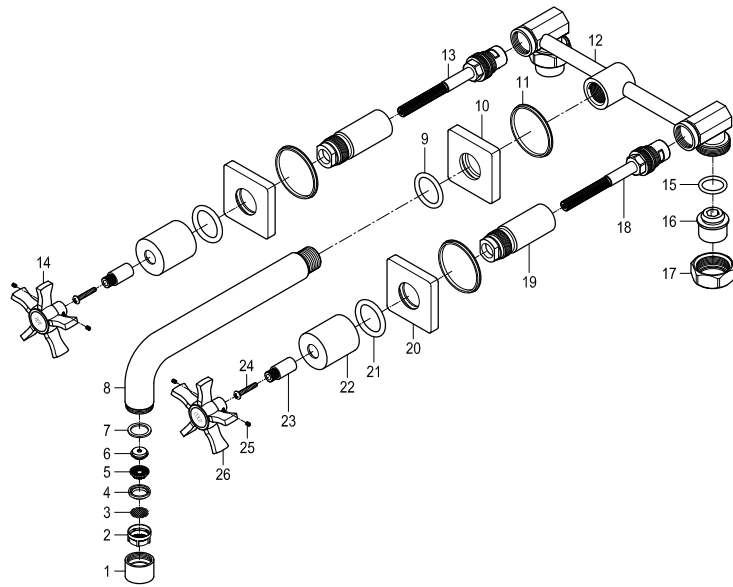
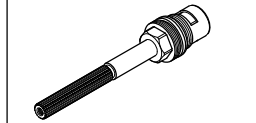


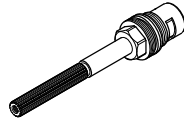
## Parts:



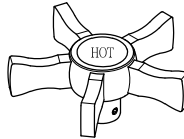
## Replacement Parts:



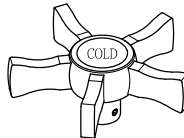
Hot Cartridge:  
No.13 - KSRPL8000C



Cold Cartridge:  
No.18 - KSRPL8000H



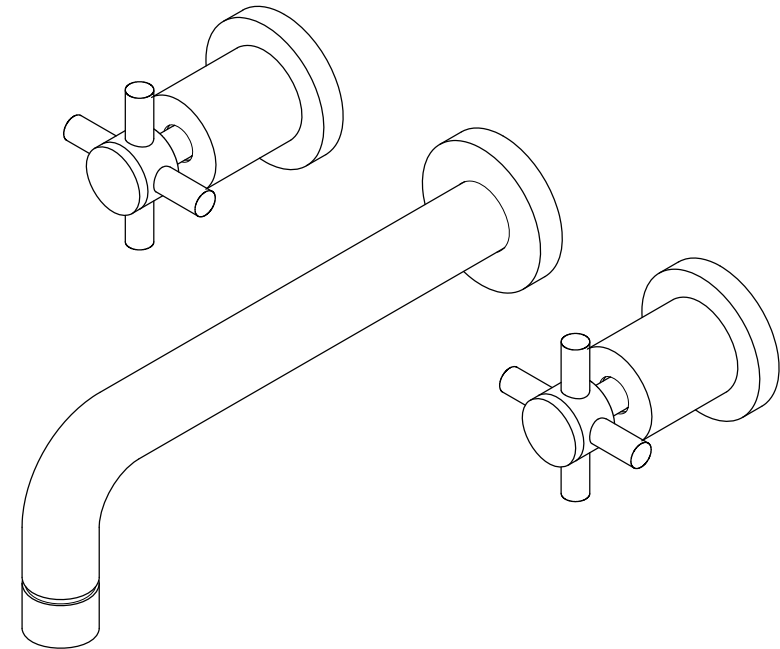
Hot Handle: KSH2961NXH



Cold Handle: KSH2961NXC

# KINGSTON

KITCHEN & BATH



## CARE AND MAINTENANCE OF YOUR FAUCET

Your Kingston Brass faucet has been finished to the most strict standards; however, due to the high content of minerals in the water, your finish may appear dull and tarnished after time. These are some do's and don'ts to maintain the luster on your faucet for many years to come.

### DO

1. Use a silicon based caulking when installing.
2. Clean your faucet with only a mild soap and water solution.
3. Dry your faucet after using it.
4. Give it a coat of Carnauba Wax periodically.

### DON'T

1. Use plumbers putty when installing the faucet.
2. Use any abrasive cleaning agents.

It may seem like a very simple and short list but it is that simple to maintain your faucet, looking shiny and new.

If your faucet is already looking somewhat dull and tarnished, before replacing it, try cleaning it with a 50/50 solution of vinegar and water, you may need to soak some rags and wrap around those stubborn areas, leave overnight and rinse completely in the morning, apply Carnauba wax once you have removed the mineral deposits.

[www.kingstonbrass.com](http://www.kingstonbrass.com)

TOLL-FREE CUSTOMER SERVICE: 1-877-2-KBRASS

TECHNICAL SUPPORT E-mail: [service@kingstonbrass.com](mailto:service@kingstonbrass.com)

12775 Reservoir Street, Chino, CA 91710

## NOTICE

Failure to follow all directions may cause leaks  
which may result in water damage

## CAUTION

Failure to follow all installation directions may  
cause product to detach from the wall and  
cause serious injury

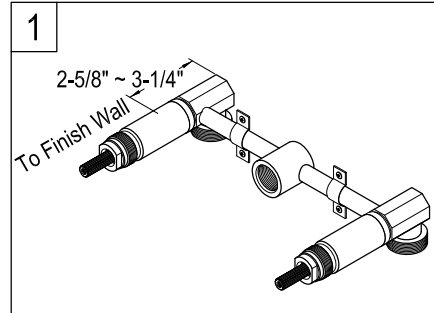
# KINGSTON

KITCHEN & BATH

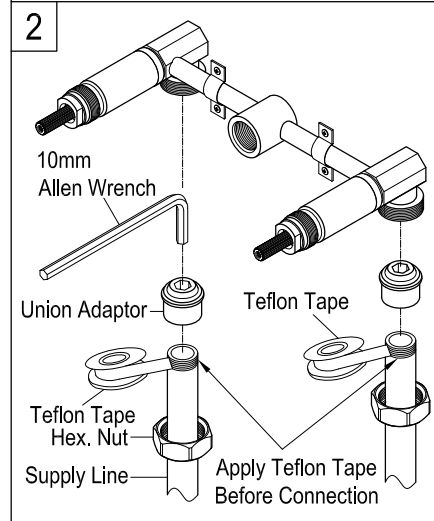
## INSTALLATION INSTRUCTIONS Twin Handles Wall Mount Faucet

### BEFORE BEGINNING INSTALLATION:

1. Flush plumbing lines to clear any debris.
2. Shut off both supply lines after flushing.



1. Properly secure valve body to wood bracing using copper straps, make sure to place body so that the distance between the back of the valve body to the finish wall surface is 2-5/8" to 3-1/4".



2. Connect valve assembly to 1/2" IPS supply lines, the union adaptors on this valve are threaded for 1/2" NPT male threaded fittings.

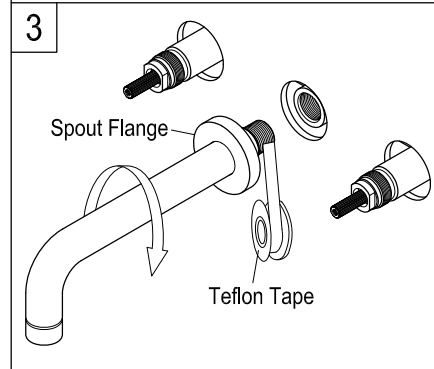
**Warning:** To avoid structural damages, do not use gas fittings or fittings of any other size.

Apply Teflon tape to the 1/2" NPT threads of supply line and thread union adaptor onto supply line with 10 mm Allen wrench.

**Warning:** Do Not over tighten the union adaptor. It will cause improper stress inside material and lead to fracture over time.

Then tighten up the Hex nut with wrench.

**Warning:** Do Not Over Tighten.



3. After inserting the spout flange, apply Teflon tape to spout and thread spout onto valve body. Turn the spout clockwise by hand to connect with valve body. Make sure it is tightly connected, then adjust slightly to ensure the spout outlet is facing down. Apply silicone based caulking to the back of the flange and press against the wall.

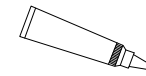
### Need Tools:



Adjustable Wrench



Teflon Tape



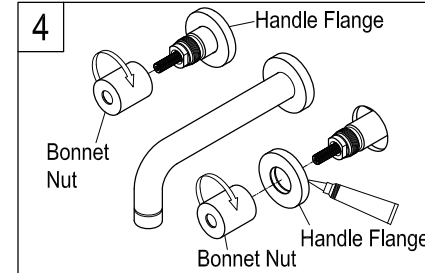
Silicone Sealant



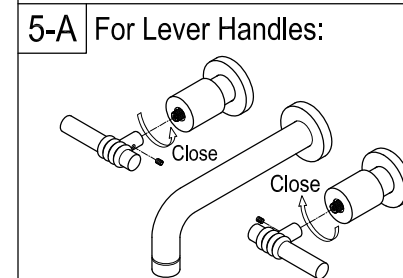
10mm  
Allen Wrench



Screwdriver



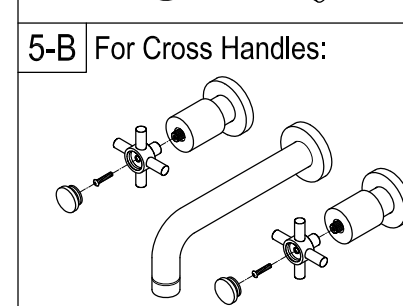
4. After applying silicone based caulking to the back of the handle flanges insert onto valve body and push completely to the wall, and thread bonnet nut onto valve assembly.



- 5-A. For Lever Handles:

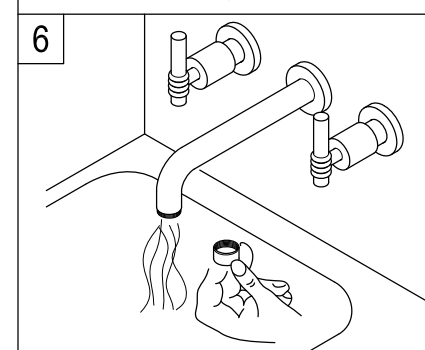
Turn both the stems to their close positions. The stem on cold side should be turned clockwise, and the stem on hot side counter-clockwise. Then insert lever handles onto stems and make sure both cold/hot handles are aligned and horizontal.

Tighten up the screws to secure the handle on stems.



- 5-B. For Cross Handles:

Insert cross handles and secure the screws onto valve stem, insert valve cap and press firmly.



6. Remove aerator and turn on both hot and cold valves, this will clear any debris left in the line, reinstall aerator. Turn on/off both handles to open and close water at least 1 minute and make sure no water leakage on the valve body or any connection.

### Warning!!!

Do not overtighten the inlet fittings as this may cause structural failure and water damage.