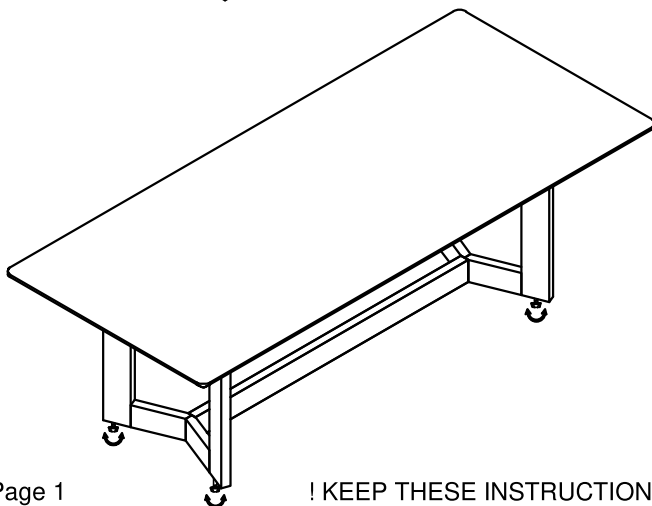
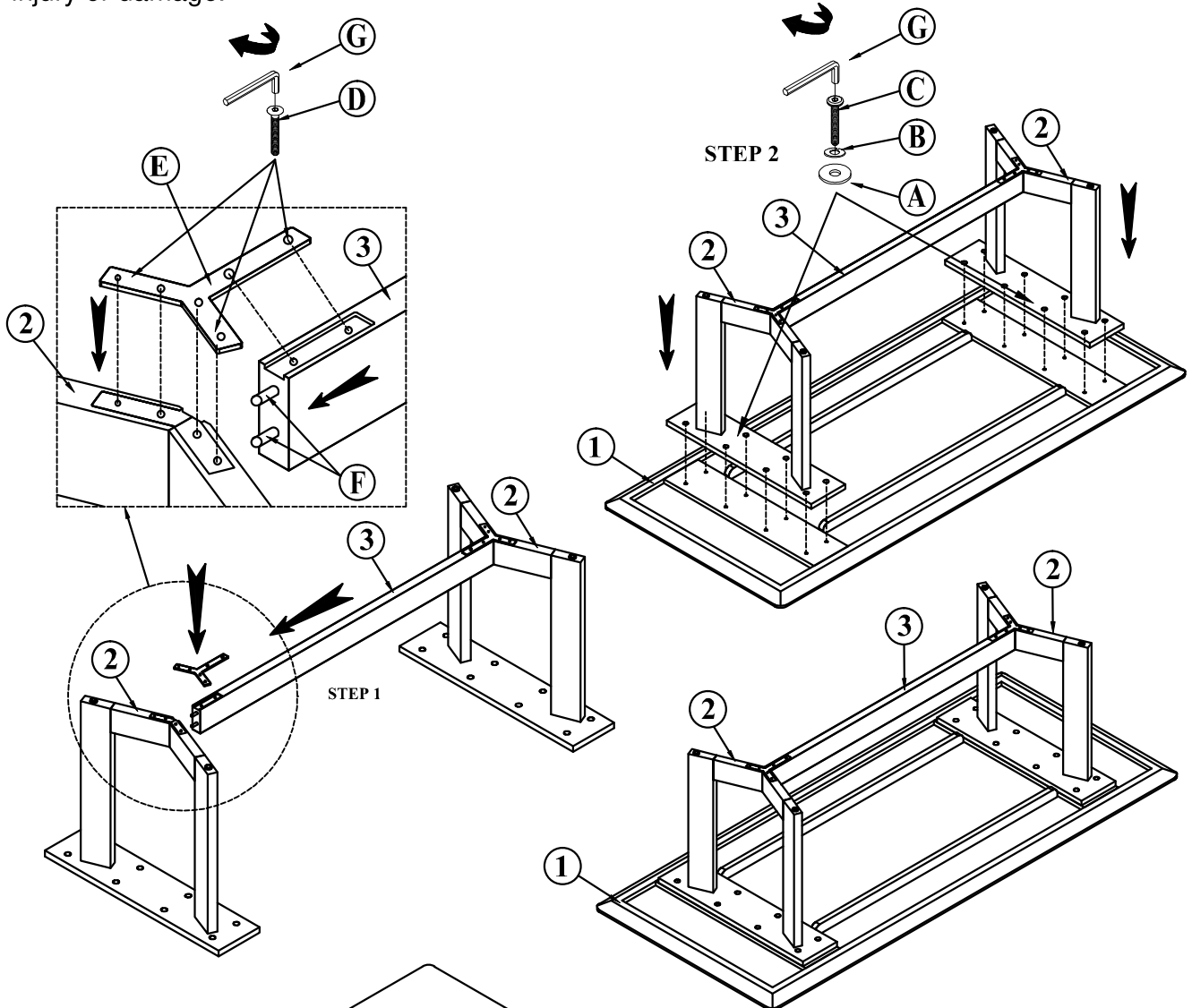



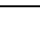


Thank you for purchasing this quality product from A.R.T. Furniture. Be sure to check all packing material for parts which may have come loose inside the cartons during shipment. Identify and count all parts and compare with the parts list below.

Note: Some furniture is heavy, it is recommended that two people assemble this item to avoid injury or damage.



NO	HARDWARE LIST		Q'ty
A		$\frac{5}{16}$ " Flat Washer (19mm)	16
B		$\frac{5}{16}$ " Lock Washer	16
C		$\frac{5}{16}$ " x 40mm Bolt	16
D		$\frac{1}{4}$ " x 20mm Bolt	12
E		Metal Y Bracket	2
F		Ø10 *30 Woon man	4
G		Allen Key (LG 4 *80 mm)	1