



SSVC-2/SSVC-4/SSVC-6

SPEAKER SELECTION/VOLUME CONTROL SYSTEMS



**Niles Audio
Corporation**

www.nilesaudio.com

12331 S.W. 130 Street
Miami, Florida 33186
Tel: (305) 238-4373
Fax: (305) 238-0185

©2004 Niles Audio Corporation. All rights reserved. Niles, the Niles logo and Blending High Fidelity and Architecture are registered trademarks of Niles Audio Corporation. Because we strive to improve our products, Niles reserves the right to change product specifications without notice. The technical and other information contained herein is not intended to set forth all technical and other specifications of Niles products. Additional information can be obtained on-line at www.nilesaudio.com or by calling Niles at 1-800-289-4434. Printed in China 01/04 DS00357ACN

SSVC-2/SSVC-4/
SSVC-6
Speaker Selection/
Volume Control
Systems

TABLE OF CONTENTS

Introduction	1
Features and Benefits	2
Installation Considerations	5
Installation	8
Operation	10
Specifications	12

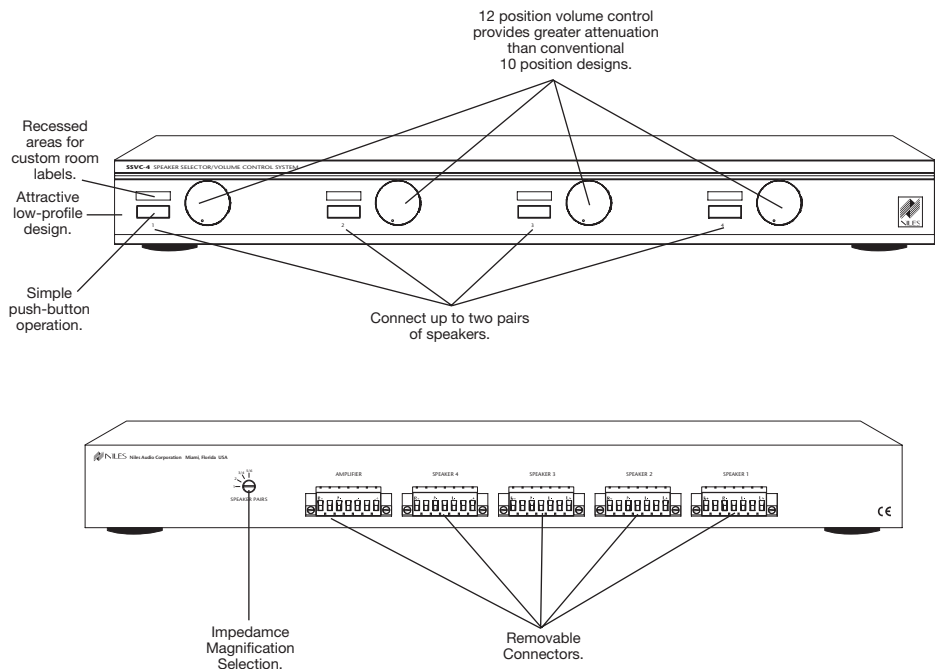


Notes

Introduction

The SSVC series is a combination speaker selector and volume controller. It allows you to connect multiple pairs of speakers to your stereo receiver or amplifier and adjust the volume of any pair independently. Additionally, you can choose to listen to any pair of speakers, or any combination of pairs simultaneously. You don't have to worry about overloading your amplifier. The SSVC series uses impedance magnification to keep your amplifier running safely, even with all speakers playing.

A perfect application for the SSVC series is individually controlling speaker "on/off" and volume adjustment for multiple pairs of speakers: one pair in the room with the main stereo system and all other pairs at remote locations. The SSVC series adjusts the volume of the speakers connected to it by attenuating the amplifier signal. Niles volume controls use autoformers instead of L-pads for the volume controlling element. This assures minimal internal power dissipation with virtually no power wasted as heat.



Specifications

Audio Power Handling

100 watts/channel continuous music power

Frequency Response

+/- 1.2 dB from 20 Hz to 20 kHz

Mounting

Table-top component

Wiring Requirements

Individual runs of 2-conductor speaker wire. Connectors accommodate wire sizes 14-22 gauge (16 gauge recommended)

Overall Dimensions

8-1/2" wide x 2" high x 7-1/4" deep

Weight

3 lb.

Installation Considerations

IMPORTANT

DO NOT use the SSVC-2/4/6 with amps or receivers rated at more than 100 watts per channel RMS at 8 ohms.

Power Handling

The SSVC-2, SSVC-4, and SSVC-6 are designed for use with a receiver or amplifier having a maximum power output of 100 watts per channel at 8 ohms. Damage caused by the use of a higher-power receiver or amplifier will void the warranty. Consult your Niles dealer, or receiver/amplifier manufacturer, if you are uncertain about the power rating of your receiver or amplifier.

Important: DO NOT use the SSVC series with amps or receivers rated at more than 100 watts per channel RMS at 8 ohms.

Amplifier Impedance Load

As more pairs of speakers are parallel connected to a receiver or amplifier, the overall system impedance becomes lower. For example, if two pairs of 8-ohm speakers are connected in parallel, the impedance will be 4 ohms, two pairs of 4-ohm speakers in parallel become 2 ohms, and so on.

Most receivers or amplifiers are not rated for use below a 4 ohm load. Most manufacturers do not recommend connecting two pairs of 4-ohm speakers without using some form of impedance correction.

Operation

1. Make sure the amplifier or receiver power is OFF and set the volume to minimum.
2. Set the volume control for the speaker pair you wish to play to maximum (fully clockwise).
3. Locate the on/off button which corresponds to the speaker pair you wish to play. Set it to the ON position.
4. Turn on the amplifier or receiver and select as source, such as the tuner or CD player.
5. Slowly turn up the amplifier or receiver volume and set it to a comfortable (not maximum) listening level. Be careful not to overdrive or "clip" your amplifier. If the sound becomes muddy or distorted, you have reached the limit of your amplifier's volume capability and should quickly reduce the volume to avoid damaging your speakers.
6. Using the appropriate volume control on the front of the speaker selector, adjust the volume of the speakers to the desired listening level.
7. You can turn off the speakers by turning the appropriate volume control on the SSVC series fully counter-clockwise, or by pressing the on/off button.

"TECH TIP"

If your amplifier or receiver has "A" and "B" speaker-pair outputs, connect the SSVC series to the "A" outputs. Do not connect anything to "B". This will prevent the amplifier or receiver from driving an unusually low impedance load.

Type of Speaker Wire

For most applications, we recommend you use 16 or 18 gauge stranded copper speaker wire for the SSVC-2/4/6 connections. For wiring runs longer than 80 feet, 14 gauge wire is recommended. Using speaker wire larger than 14 gauge for SSVC connections is not recommended—the wire may not fit into the connectors. Never use solid-core, aluminum, or “Romex” type wire with the speaker selector. When running speaker wires inside walls, most states and municipalities in the U.S. specify that you must use a special type of speaker wire. Usually, the requirement is that the wire has a specific “CL” fire rating, such as “CL-2” or “CL-3”. Consult your Niles dealer, building contractor, or local building and inspection department if unsure about which type of wire is best for your application.

Avoiding Interference

Speaker wires can act as an antenna for electrical noise. Locating speaker wires too close to a light dimmer or switch may cause a “buzzing” or “popping” sound to be heard through the speakers. If you must locate the SSVC series wiring near electrical devices, route the speaker wires several feet away from the electrical wiring.

Installation

1. Select a convenient location for the SSVC-2/4/6 .
2. Run all the necessary wiring to the SSVC-2/4/6 . Label the wires for future reference. See (Figure 1).
3. Locate the connector plugs (and remove them if they are plugged in). See (Figure 2) and (Figure 4).
4. Strip 1/4" of insulation from the end of each wire. Tightly twist the end of each wire until no frayed ends remain.

SSVC-2 connector installation

- a. On the SSVC-2 use a small flathead screwdriver or your thumbnail to raise the locking tabs, exposing the holes on the removable connector plug.
- b. Insert each wire into the appropriate hole on the removable connector plug, and snap the locking tab down.

NOTE: To help you avoid improper installation, the connector plug is keyed.

- c. Insert the smooth side of the connector plug into the smooth side of the socket. Don't force the scalloped side of the connector plug into the smooth side of the socket. See (Figure 2).

SSVC-4/6 connector installation

- a. Insert each wire into the appropriate hole on the removable connector plug.
- b. Use a small flathead screwdriver to tighten each wire in place.
- c. Insert the connector plug into the socket and lock in place by tightening captive screws on each side of connector. See (Figure 4).

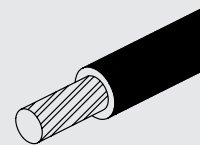
The inputs of the SSVC-2/4/6 are the connector terminals labeled "AMPLIFIER". The outputs are the connector terminals labeled "SPEAKERS". Be sure not to reverse these connections or the SSVC-2/4/6 will not function properly.

5. Locate the pre-printed Room Labels. Affix the appropriate label to the recessed area next to the knob on the SSVC-2/4/6 .

Calculating the Impedance Magnification Setting

Use the following instructions to select the correct switch setting for the number and type of speakers in your system.

1. Count the number of pairs of speakers you are connecting to the system.
2. Set the Speaker Pairs switch on the rear panel of the SSVC-2/4/6 to match the number of pairs of speakers (1, 2, 3/4, 5/6).

"TECH TIP"

Wire size is expressed by it's AWG (American Wire Gauge) number. The lower the AWG number, the larger the wire, i.e., 12 AWG wire is physically larger than 14 AWG.

Balancing Speaker Volume

The volume control on your receiver or amplifier serves as the “master” volume for all speaker pairs connected.

The volume level of the speakers may vary from room to room. This is caused by several factors. Two lesser factors are the size of the speaker and its efficiency. The largest factor is the physical size of the room.

The SSVc series volume controls allow you to adjust the volume of each speaker pair individually. You can leave the amplifier or receiver volume set at one position and use the SSVc volume controls exclusively.

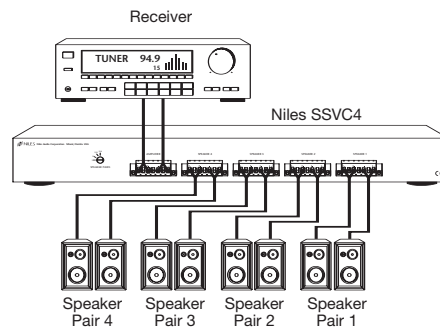


Figure 1
Wiring Diagram

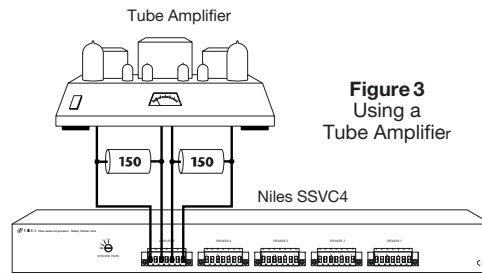


Figure 3
Using a
Tube Amplifier

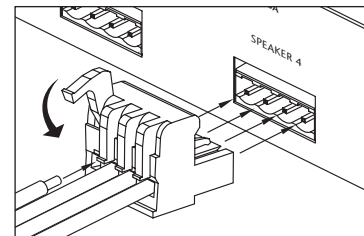


Figure 2
Connecting the wires
SSVC-2

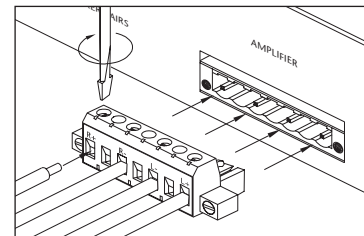


Figure 4
Connecting the wires
SSVC-4/6

Notes

Features and Benefits

- Power handling: 100 watts per channel RMS; 200 watts peak
- Selectable impedance magnification for 1, 2, 3/4, 5/6 pairs of speakers
- Individual room on/off selector switches
- 12-step controls; 54dB maximum attenuation
- Separate left and right ground paths for compatibility with all amplifiers
- Removable screwless connectors accommodate up to 14 gauge wire
- Rugged all metal chassis construction
- Non-skid feet won't scratch furniture and ensure unit stability during operation
- 72 adhesive-backed room identification labels
- Warranty: Ten-year limited
- Dimensions: 8-1/2" wide x 2" high x 7-1/4" deep (SSVC-2);
Dimensions: 17" wide x 2" high x 9-1/8" deep (SSVC-4);
Dimensions: 17" wide x 2" high x 9-1/8" deep (SSVC-6)
- Shipping weight: approximately 5 lbs (SSVC-2); 10 lbs (SSVC-4); 12 lbs (SSVC-6)

TECH SUPPORT HOTLINE

If you have questions regarding the operation of the Niles SSVC-2/4/6, contact your local Niles dealer or Niles Customer Service at 1-800-289-4434.