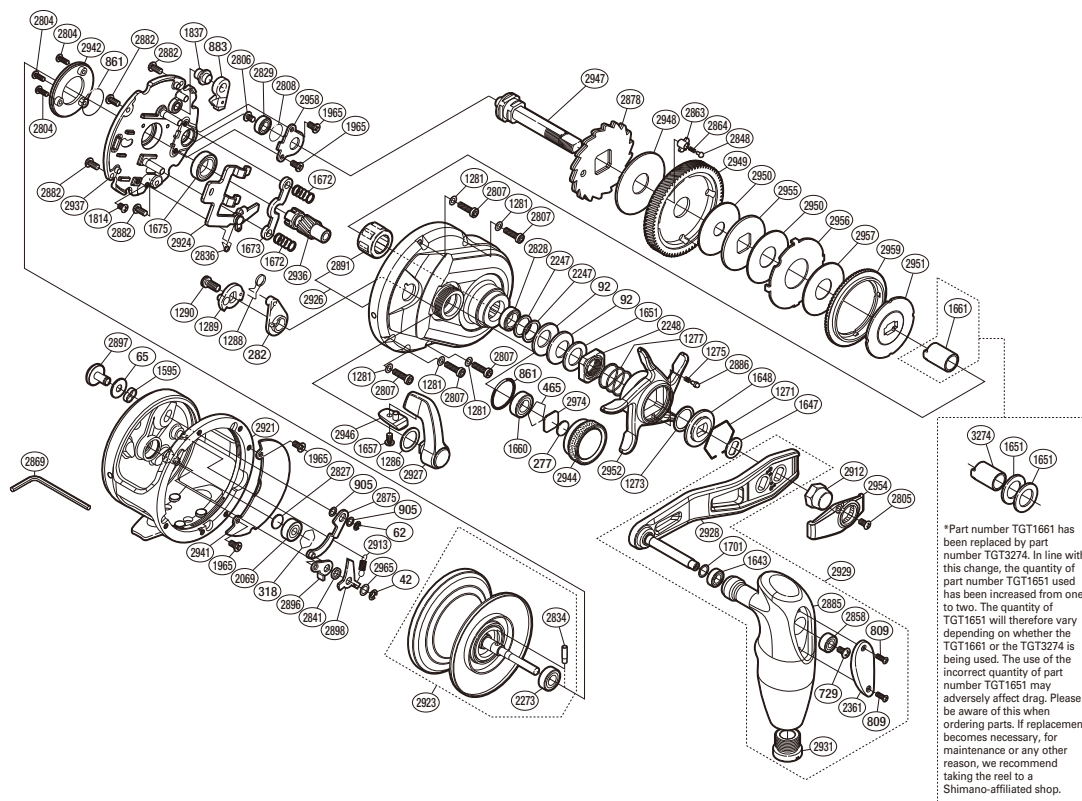


# SHIMANO

## OCEA JIGGER

## OCEA JG-2000NRHG



(51RL02210HX)

#	Part No.	Description	#	Part No.	Description	#	Part No.	Description
0042	105NE	E Lock	1814	103L1	Screw	2913	10CBR	Anti-Reverse Pawl Spring
0062	105NK	E Lock	1837	10PE1	Anti-Reverse Pawl Shaft	2921	10R9Z	Frame Assembly
0065	104H2	Spacer	1965	1055F	Screw	2923	10SCT	Spool Assembly(With Bearing)
0092	1052E	Drag Spring Washer (H)	2069	10KAF	Ball Bearing	2924	10RA5	Clutch Plate Assembly
0277	10896	Cast Control Spacer	2247	10J4J	Washer	2926	10RA6	Right Side Plate Assembly
0282	10L29	Eccentric Cam Bushing	2248	10QY2	Star Drag Nut	2927	10EB0	Clutch Lever Assembly
0318	10GGM	Bearing Retainer	2273	108PE	Ball Bearing	2928	10RA4	Handle Shank Assembly
0465	10GGN	Bearing Retainer	2361	108SX	Handle Knob I.D. Plate	2929	10TJZ	Handle Assembly
0729	103E9	Screw	2804	101AN	Screw	2931	10TK9	Handle Knob Seal
0809	103NH	Screw	2805	101AA	Screw	2936	10SLA	Pinion Gear
0861	108W8	O Ring	2806	10PVT	Screw	2937	10SLP	Set Plate
0883	10MWC	Anti-Reverse Pawl Assembly	2807	10SZN	Screw	2941	10TJC	Set Plate Sticker
0905	10J18	Spacer	2808	10SZ4	O Ring	2942	10TJG	Drainage Plate
1271	10KXX	Click Plate Retainer	2827	1057Q	Spacer B	2944	10SLK	Cast Control Cap
1273	10G6M	Washer	2828	105BS	Ball Bearing	2946	10SL5	Clutch Lever Protector
1275	10HZ6	Click Spring	2829	105BV	Ball Bearing	2947	10RX8	Drive Shaft
1277	10HZ2	Star Drag Spring	2834	10RAK	Spool Clutch Pin	2948	10TJD	Drag Washer
1281	10J4B	Washer	2836	10QCU	Clutch Pawl Spring	2949	10THZ	Drive Gear
1286	10G6P	Washer	2841	10907	F-Bushing	2950	10TJH	Drag Washer
1288	10JYV	Clutch Spring	2848	10C0S	Drag Click	2951	10SLC	Pressure Plate
1289	1084H	Clutch Cam Assembly	2858	10KX2	Ball Bearing	2952	10TJ7	Star Drag
1290	10F8N	Screw	2863	10SZP	Drag Click Pin Holder	2954	10TK5	Handle Nut Plate
1595	104MS	Click Switch Cam	2864	10J89	Click Spring	2955	10TJ6	Drag Washer
1643	105BP	Ball Bearing	2875	10NLA	F-Anti-Reverse Link Assembly	2956	10SLQ	Eared Washer
1647	107QM	Drive Shaft Shield	2878	10A2V	Anti-Reverse Ratchet Assembly	2957	10SLN	Drag Washer
1648	10J27	Star Drag Click Plate	2882	10LZD	Screw	2958	10TJ5	Drive Shaft Retainer
1651	10J1N	Star Drag Spacer	2885	10PUW	Handle Knob	2959	10SL7	Drag Click Ratchet
1657	10LSQ	Screw	2886	10B27	Click Pin	2965	10DHM	Washer
1660	104JD	Ball Bearing	2891	10F38	Roller Clutch Bearing	2974	10DHU	Cast Control Spacer
1672	104C3	Yoke Spring	2896	108SJ	F-Anti-Reverse Switch	3274	10RSQ	Roller Clutch Inner Tube
1673	10485	Yoke	2897	108W3	F-Anti-Reverse Knob			
1675	10KX7	Ball Bearing	2898	10905	F-Baitrunner Pawl	2807	10SZN	Screw (Accessory)
1701	10G8G	Washer	2912	101AS	Handle Nut	2869	10SY5	Wrench (Accessory)

Please note that the number of adjusting washers may not be the same as shown in the exploded views.  
(Adjustment will vary with each individual product.)

(230529)\_003