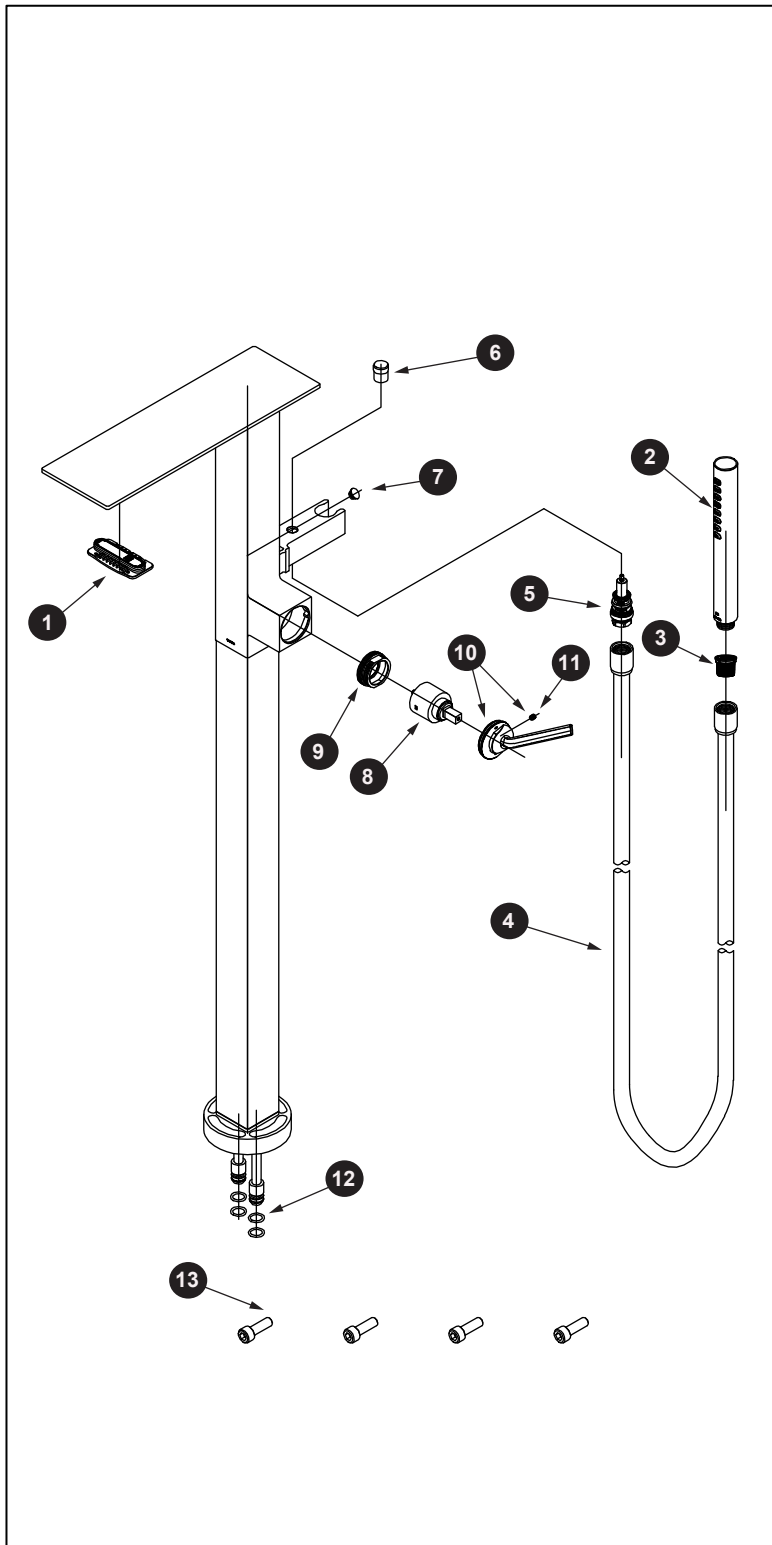


ZL Freestanding Tub Filler



Item	Part	Description
1	THP5343	Spout Unit
2	TBW02016U4#\$\$	Hand Shower
3	THP5291	Filter Screen
4	THP5318	Shower Hose
5	THP5317	Diverter
6	THP5320	Diverter Knob
7	THP5319	Cap
8	THP5156	Cartridge
9	THP5344	Valve Cap
10	THP5345	Handle Set
11	THP5346	Set Screw
12	THP5321	O-Ring, 1pc
13	THP5322	Hex Screw, 4pcs

* Please specify finish when ordering

LEGEND
\$\$ = Denotes Finish
#CP = Polished Chrome
#BN = Brushed Nickel
#PN = Polished Nickel