



# Model(s)\_Z82200-XL

4" Centerset, Single Control, Lavatory Faucet (Lead Free)

TAG \_\_\_\_\_

### Architectural/Engineering Specification:

Polished chrome plated cast brass single lavatory faucet with an integral 5" [127mm] cast spout, a ceramic disc cartridge and a temperature limit stop. Unit is furnished with a 2.2 GPM [8.3 L] pressure compensating aerator (Complying with ANSI A112.18.1 Standard for flow), a metal ADA compliant lever handle, stainless steel flex connection hoses, and mounting hardware.

Zurn Lead Compliant\* "XL" products are a line of durable, high quality brass faucets and fixtures that are designed and manufactured to comply with state laws and local codes that mandate lead content levels. Zurn "XL" products are manufactured with \*not more than 0.25% lead content when used with respect to wetted surfaces of pipes and pipe fittings, plumbing fitting and fixtures: California Health & Safety Code § 116875; Vermont 9 VCA § 2470h.



### SUFFIX OPTIONS:

-CP4	Chrome Plated 4" [102mm] Cover Plate
-CP8	Chrome Plated 8" [203mm] Cover Plate
-G	1-1/4" [32mm] Grid Strainer Drain
-P	1-1/4" [32mm] Pop-up Drain

### AERATOR OPTIONS:

Suffix	Flowrate GPM [L]	Vandal-Resistant	WaterSense* Labeled	Pressure Compensating	Outlet Type
-7M	1.0 GPM [3.8L]		x	x	Spray
-26M	0.5 GPM [1.9L]				Spray
-18M	1.5 GPM [5.7L]	x	x	x	Laminar
-17M	1.5 GPM [5.7L]	x	x	x	Aerator
-16M	1.0 GPM [3.8L]	x		x	Spray
-22M	1.0 GPM [3.8L]	x			Laminar
-2M	2.2 GPM [8.3L]	x			Aerator
-3M	0.5 GPM [1.9L]	x			Spray
-4M	2.2 GPM [8.3L]	x			Laminar
-25M	0.35 GPM [1.3L]	x		x	Spray
-9M	2.2 GPM [8.3L]				Aerator
-27M	0.5 GPM [1.9L]				Laminar
-28M	0.5 GPM [1.9L]	x			Laminar

### Product Compliance:

ADA  
ASME A112.18.1/CSA B125.1  
CEC  
CSA B125.1  
IPC  
NSF 372

\*Complies with ADA & ICC A117.1 accessibility requirements when installed according to the requirements outlined in these standards.

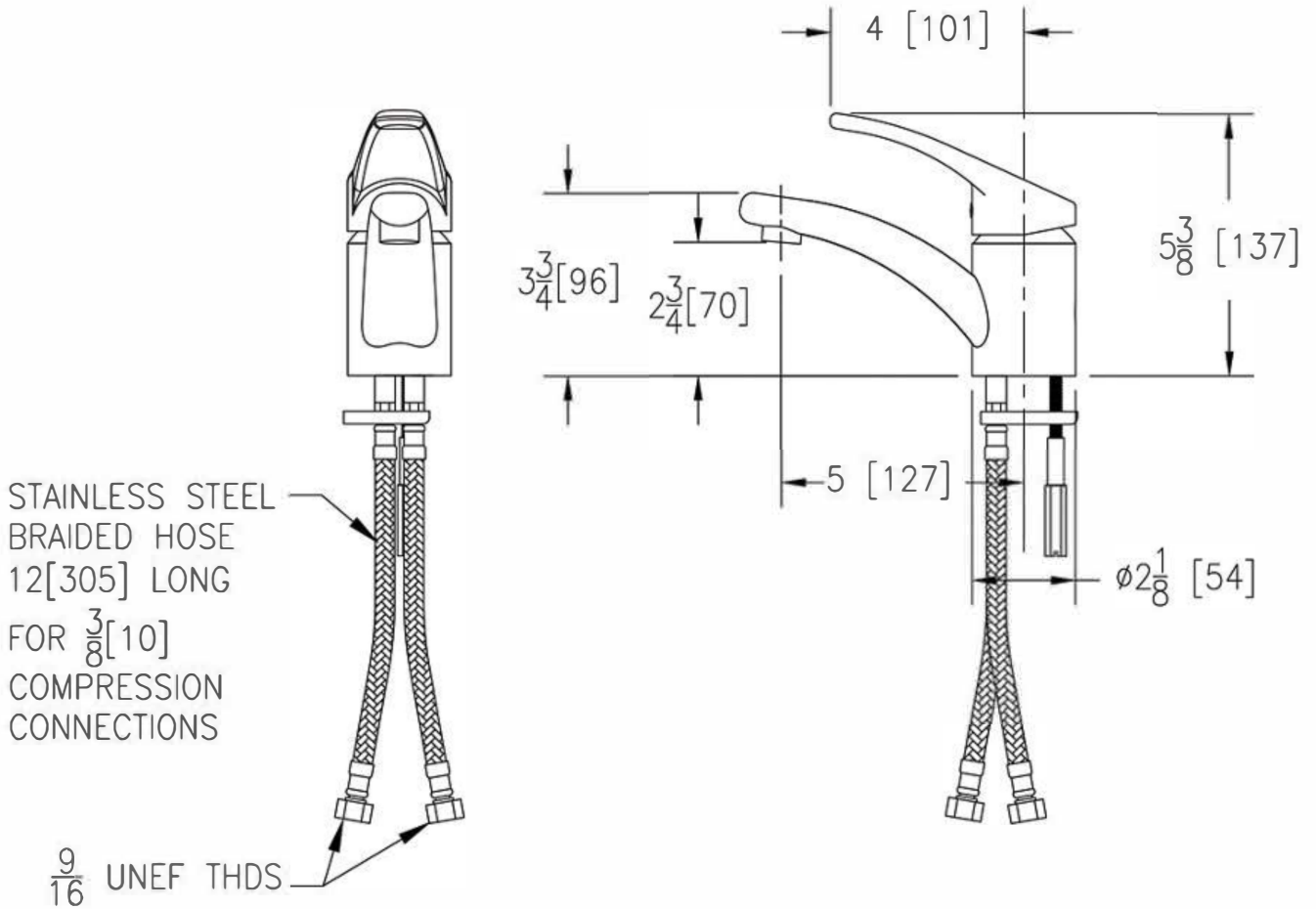
*\*Although products with certain combinations of options and features will meet or comply with these standards and/or certifications, not every combination of options and features will result in such compliance. If you have any questions about your particular product, please contact our Customer Care Dept. at 1-855-ONE-ZURN (United States) or 1-877-892-5216 (Canada) for confirmation.*

[Installation Guide - cf1556.pdf](#)

Architectural/Engineering Approval

Design and dimensional data (inches and [mm]) are subject to manufacturing tolerances and change without notice.

⚠ WARNING: Cancer and Reproductive Harm - [www.P65warnings.ca.gov](http://www.P65warnings.ca.gov)  
⚠ ADVERTENCIA: Cáncer y daño reproductivo - [www.P65warnings.ca.gov](http://www.P65warnings.ca.gov)  
⚠ AVERTISSEMENT: Cancer et effets néfastes sur la reproduction - [www.P65warnings.ca.gov](http://www.P65warnings.ca.gov)



NOTE: All dimensions are for reference only. Do not use for pre-plumbing.

Design and dimensional data (inches and [mm]) are subject to manufacturing tolerances and change without notice.

⚠ WARNING: Cancer and Reproductive Harm - [www.P65warnings.ca.gov](http://www.P65warnings.ca.gov)  
 ⚠ ADVERTENCIA: Cáncer y daño reproductivo - [www.P65warnings.ca.gov](http://www.P65warnings.ca.gov)  
 ⚠ AVERTISSEMENT: Cancer et effets néfastes sur la reproduction - [www.P65warnings.ca.gov](http://www.P65warnings.ca.gov)