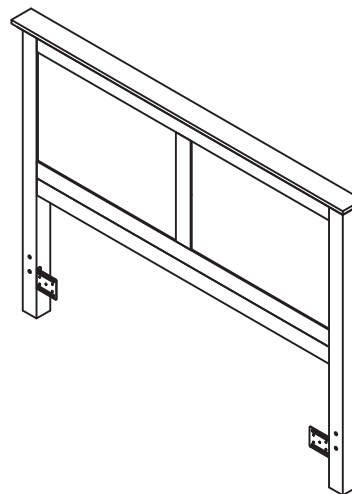


Queen Headboard



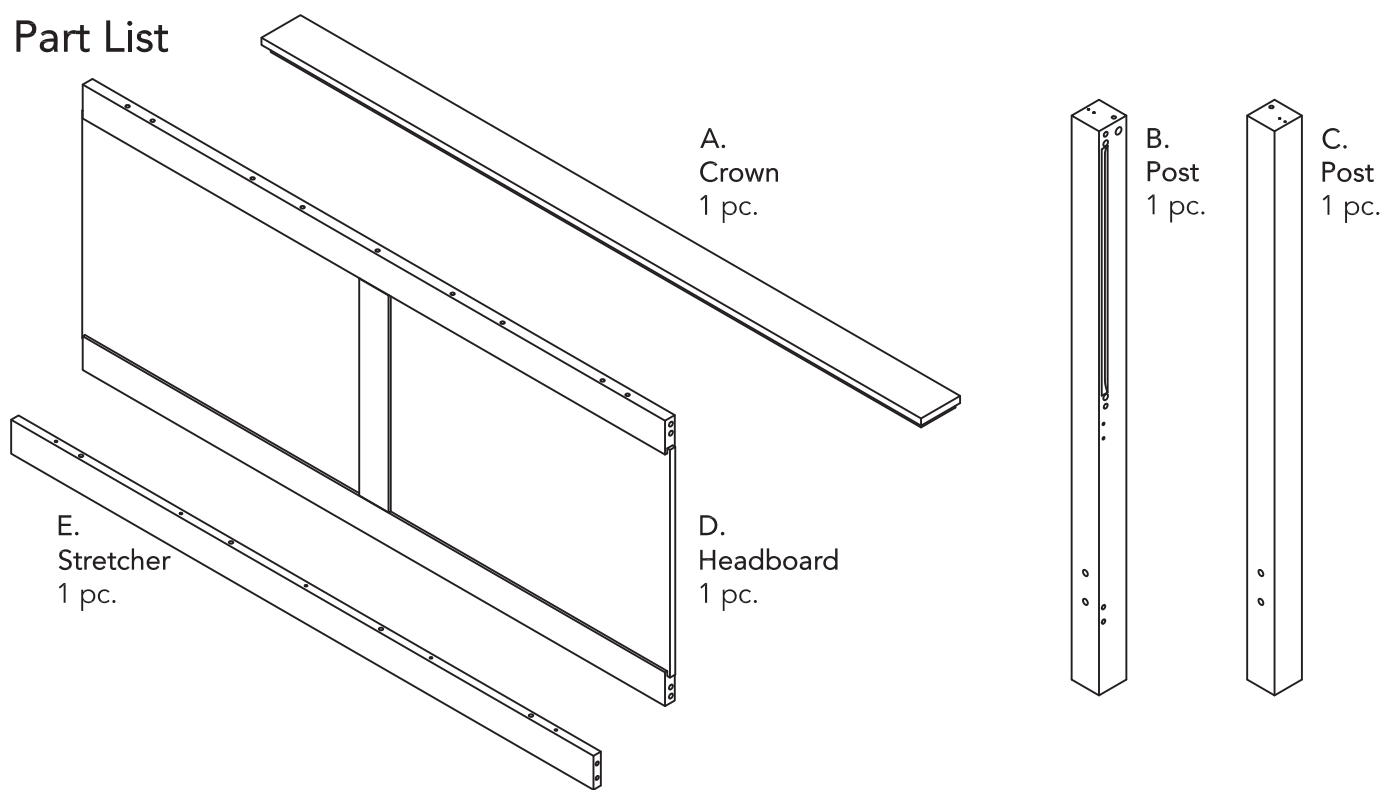
IMPORTANT

Carefully remove all the parts from the carton and place them individually on a soft cloth to prevent scratches or other damage.

Carefully and strictly follow these assembly instructions to ensure a completed product as designed.

Do not use power tools above 8 volts to assemble.

Part List



Hardware List



Cam Lock Screw
16 pcs. (+2 extra)



Cam Lock
16 pcs. (+2 extra)



Hex Wrench
1 pc.



Hex Wrench (small)
1 pc.



M6x20
Head Cap Bolt
4 pcs. (+1 extra)



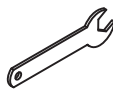
Spring Washer
4 pcs. (+1 extra)



Flat Washer
4 pcs. (+1 extra)



Corner Plate
2 pcs.



Wrench
1 pc.



5/16"x3 1/8"
Bolt
4 pcs. (+1 extra)



Square Washer
4 pcs. (+1 extra)



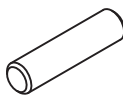
Nut
4 pcs. (+1 extra)



M3x16
5/8" Flat Head Screw
6 pcs. (+1 extra)



Plate
2 pcs.



Dowel (long)
4 pcs. (+1 extra)



Dowel (short)
8 pcs. (+1 extra)

Tool(s) required for assembly: Phillips screwdriver

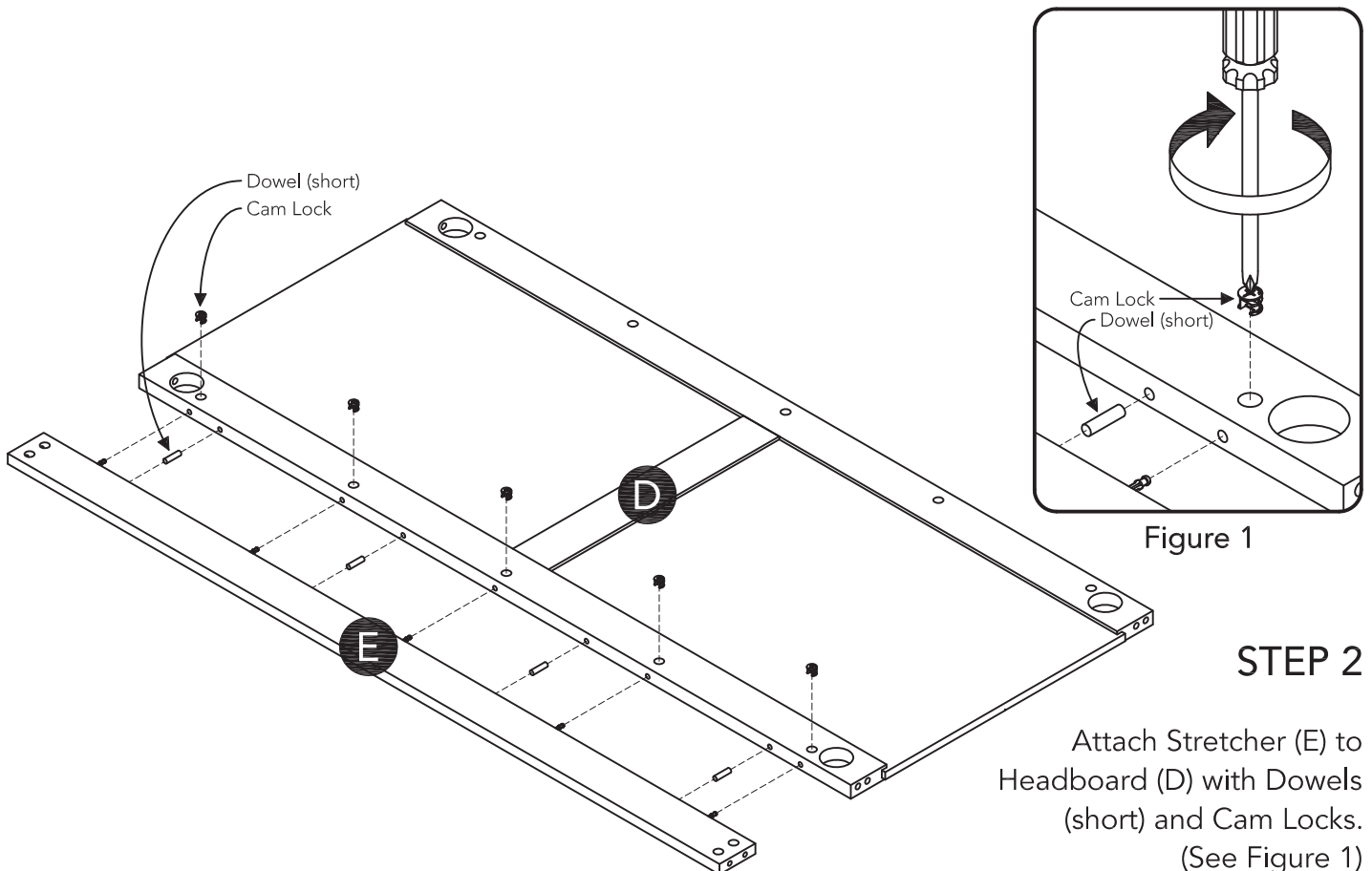
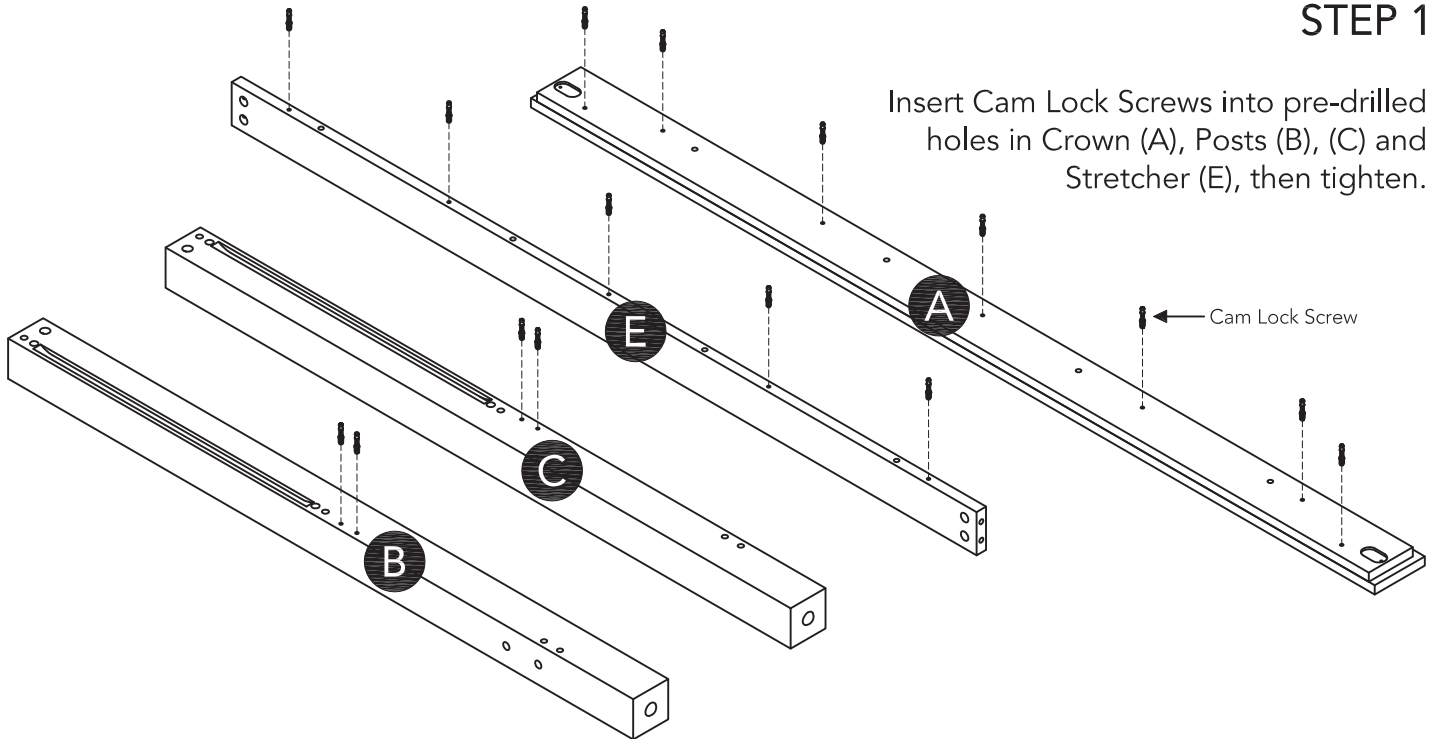
homestyles Customer Service: www.homestylesfurniture.com,
 servicedesk@homestylesfurniture.com, 888-680-7460

Assembly Instructions 2/6

IMPORTANT

- Use a soft cloth between these parts and the floor.
- Do not use power tools above 8 volts to assemble.
- Do not tighten all the bolts until each part is properly assembled.
- Keep Wrench and Hex Wrench as the Nuts and Head Cap Bolts may need to be tightened in the future.

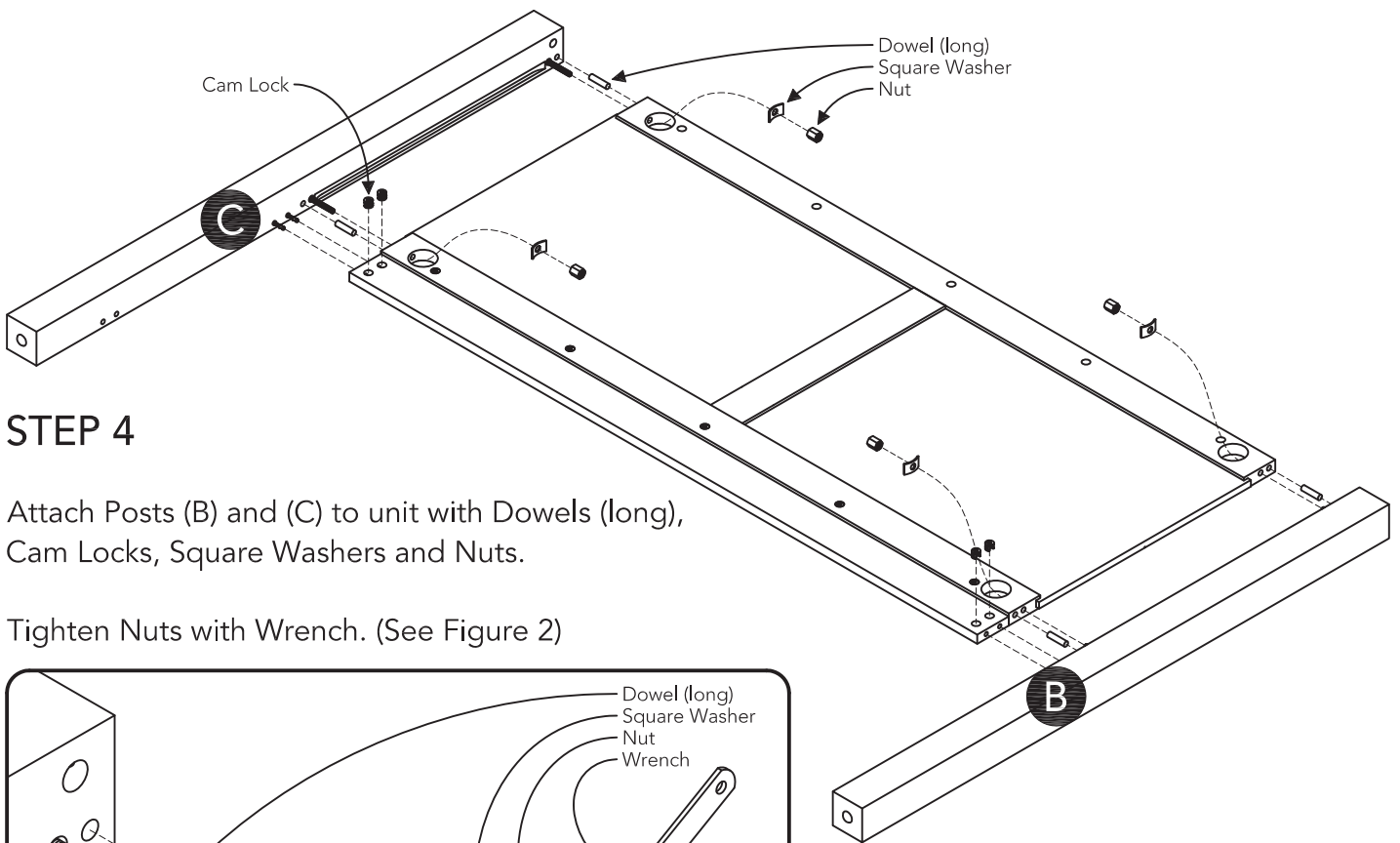
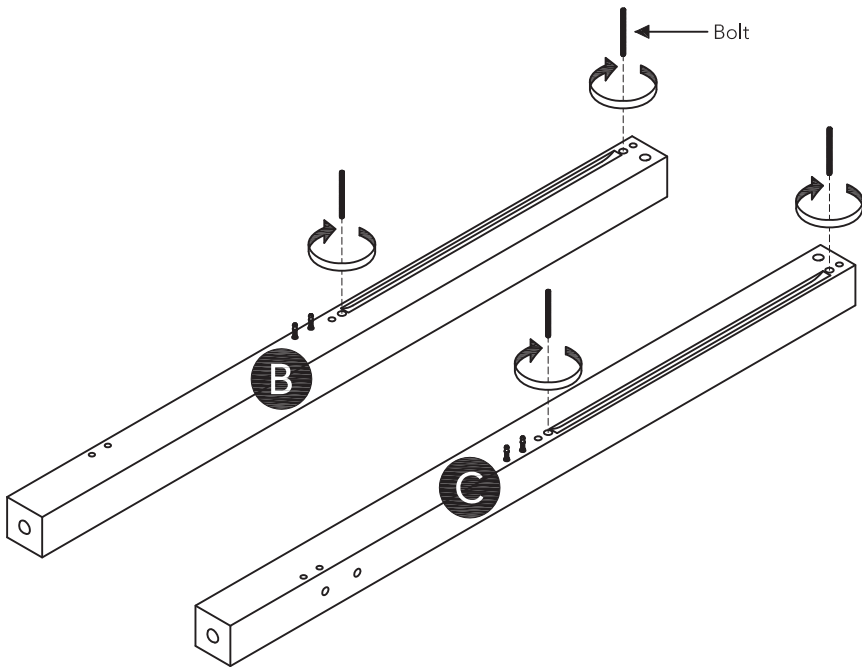
STEP 1



Assembly Instructions 3/6

STEP 3

Insert Bolts into pre-drilled holes in Posts (B) and (C), then tighten.



STEP 4

Attach Posts (B) and (C) to unit with Dowels (long), Cam Locks, Square Washers and Nuts.

Tighten Nuts with Wrench. (See Figure 2)

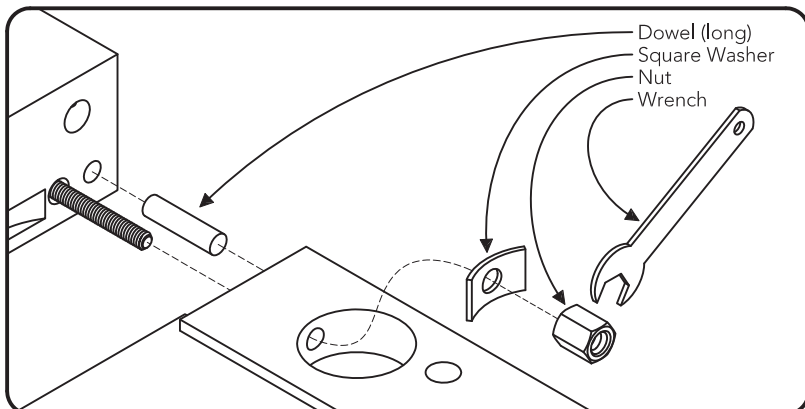


Figure 2

Assembly Instructions 4/6

STEP 5

Attach Corner Plates to unit with Flat Washers, Spring Washers and Head Cap Bolts.

Tighten Head Cap Bolts with Hex Wrench. (See Figure 3)

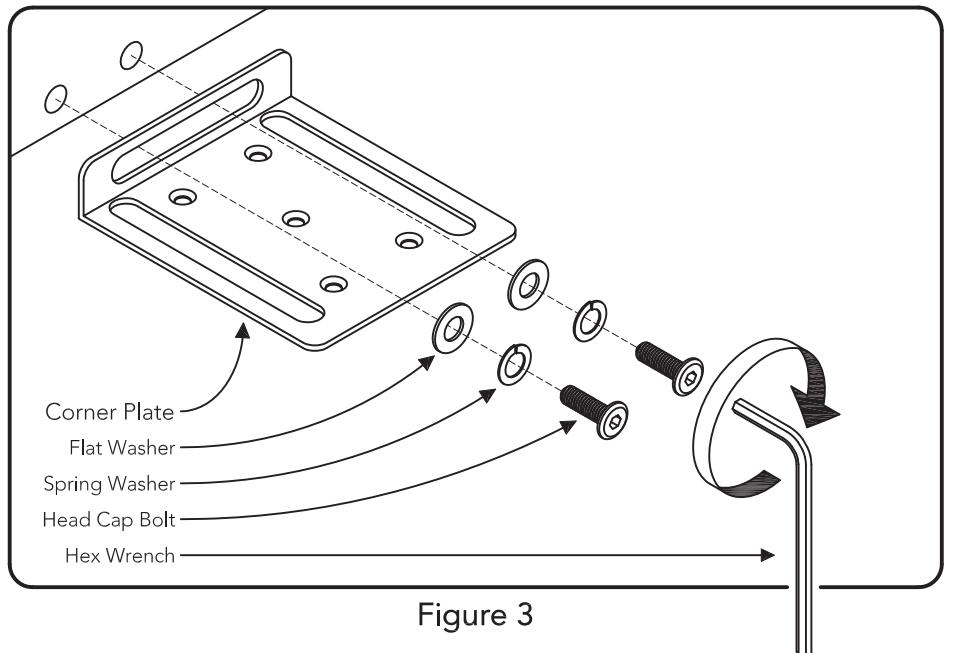
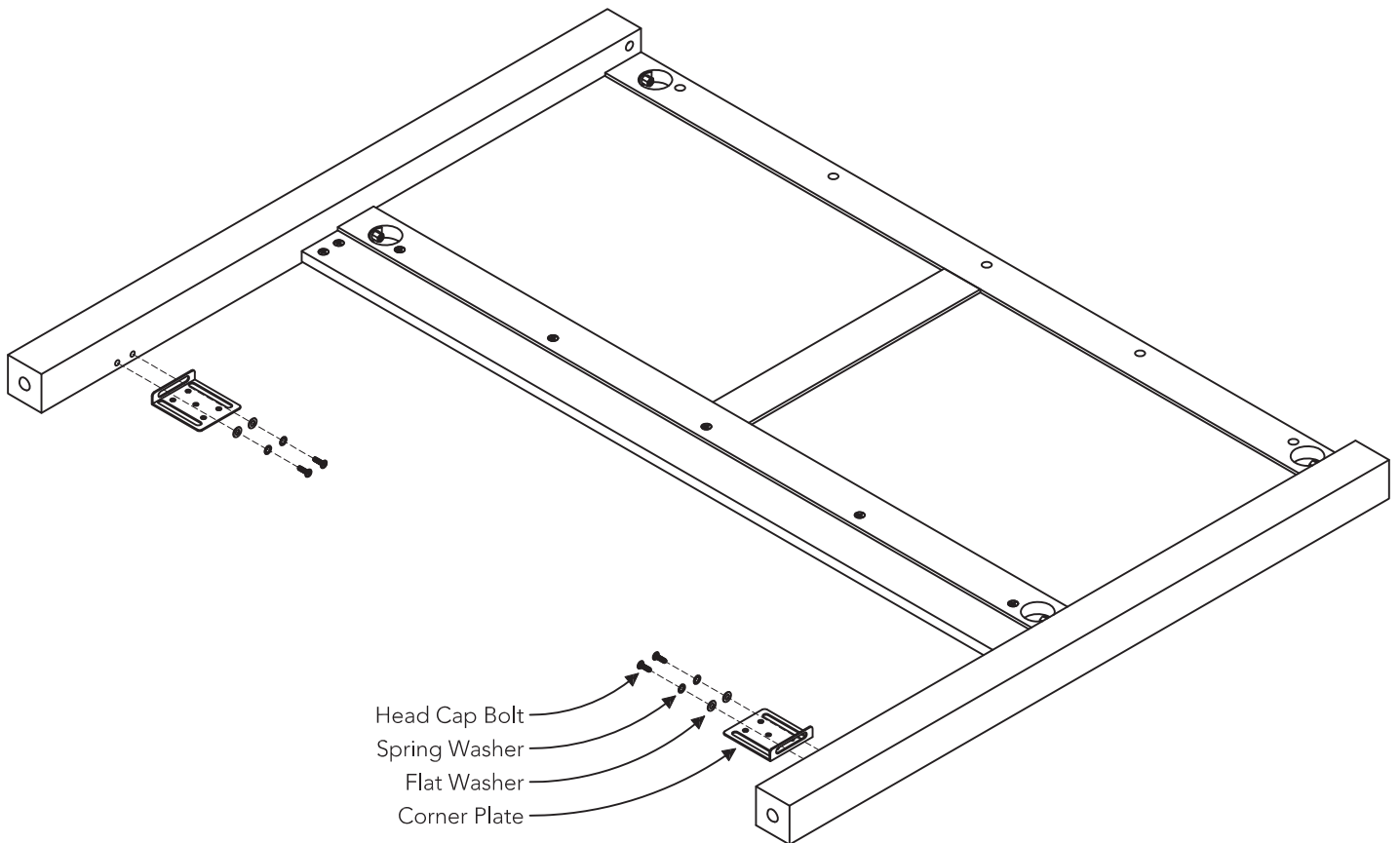


Figure 3

Assembly Instructions 5/6

STEP 6

Attach Plates to unit with 5/8" Flat Head Screws.
(See Figure 4)

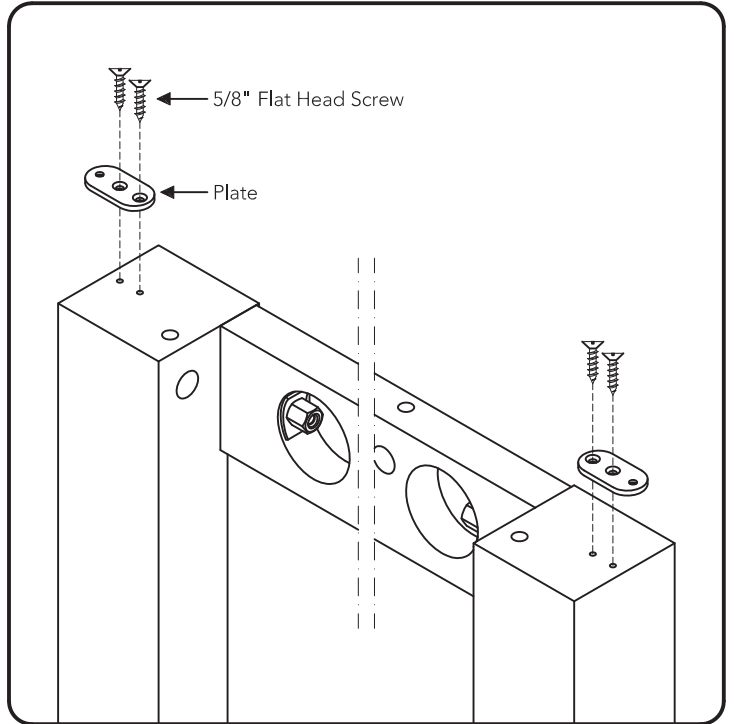
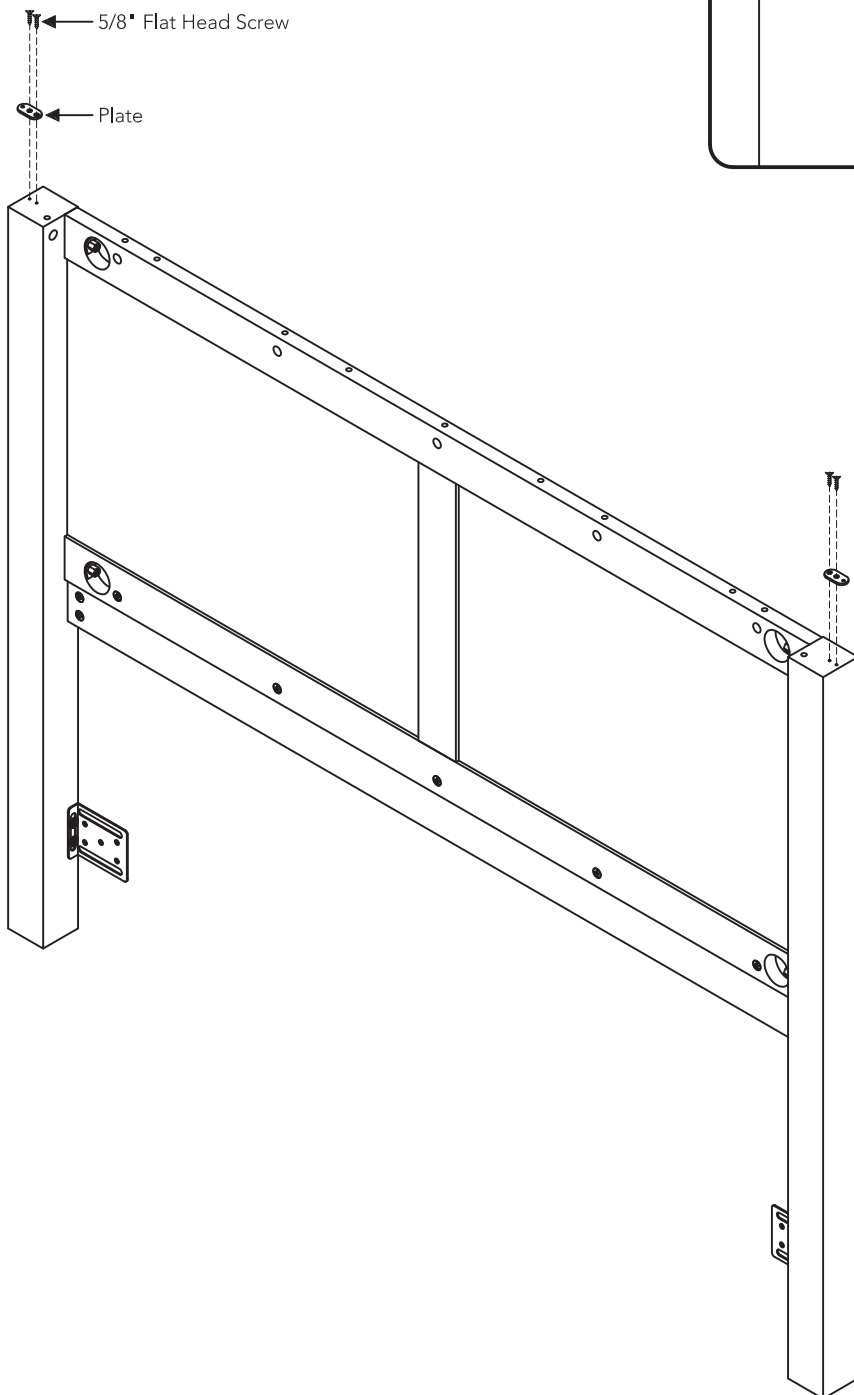


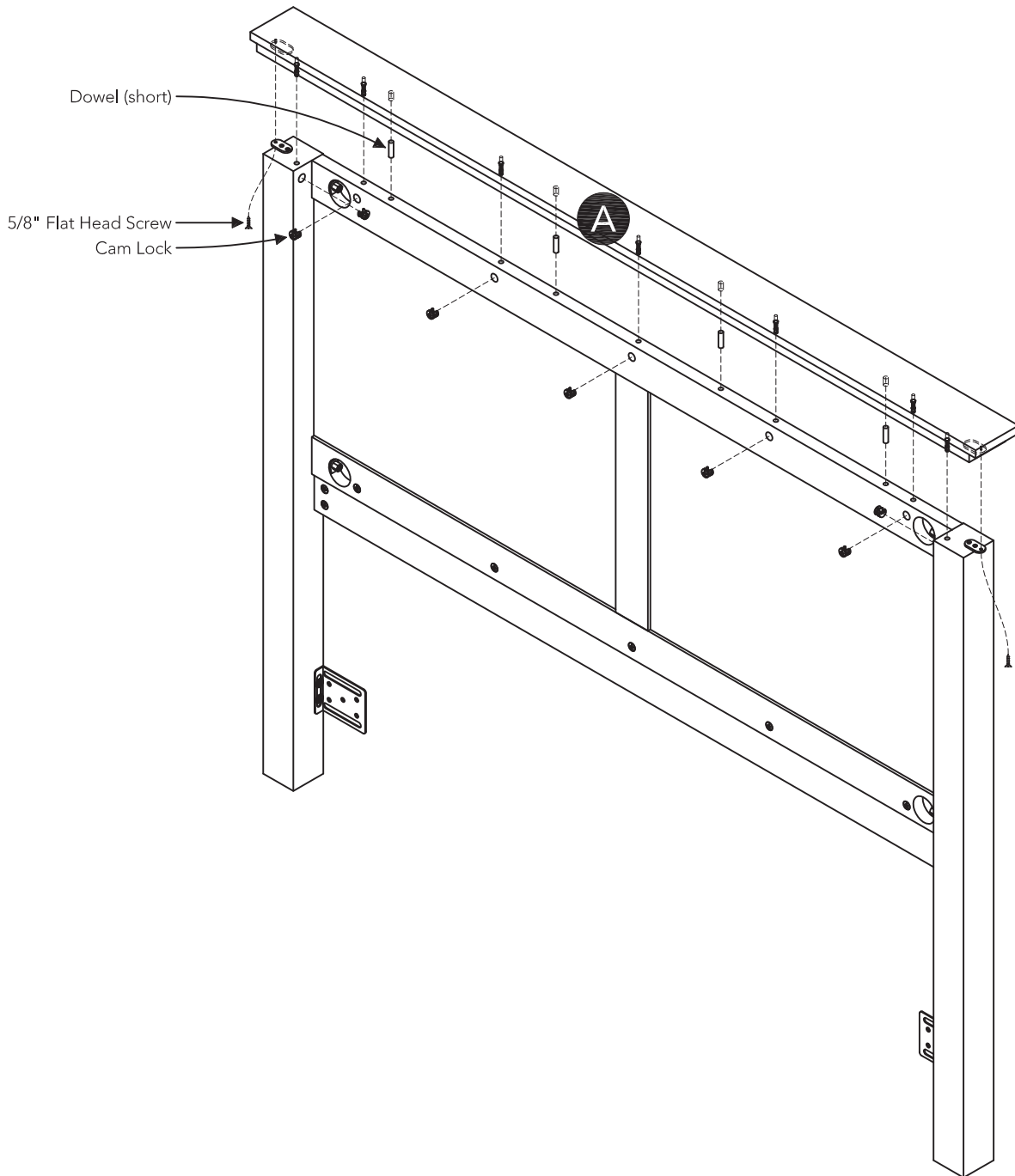
Figure 4



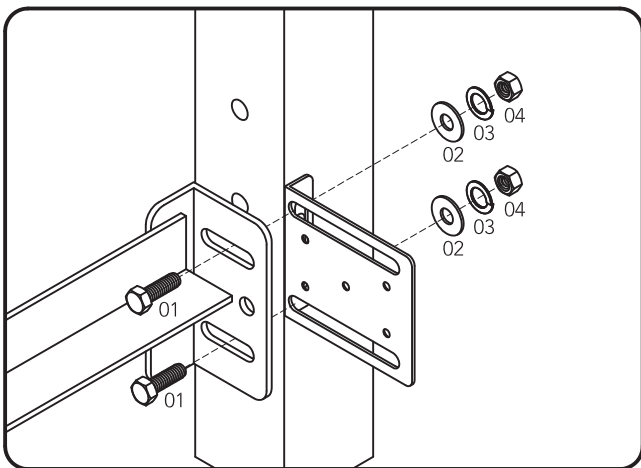
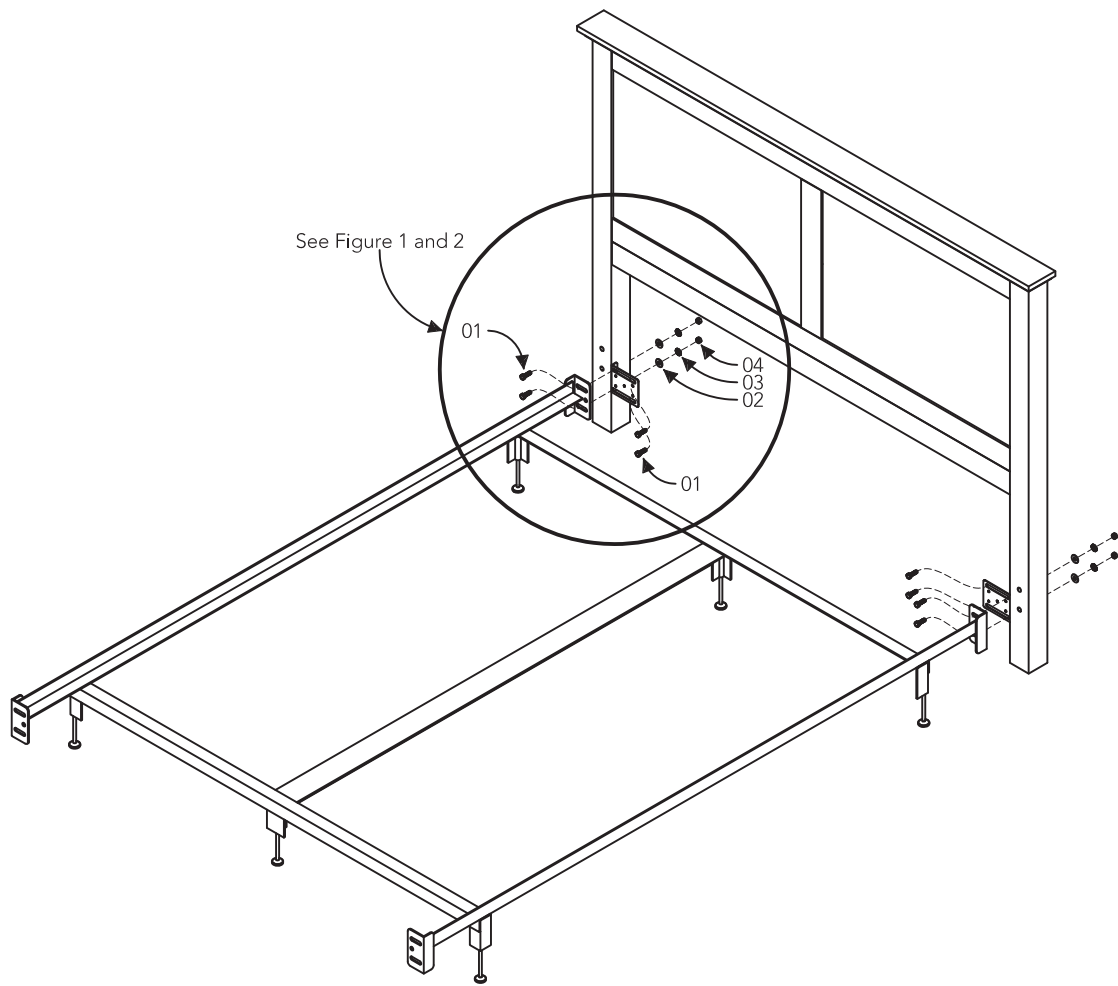
Assembly Instructions 6/6

STEP 7

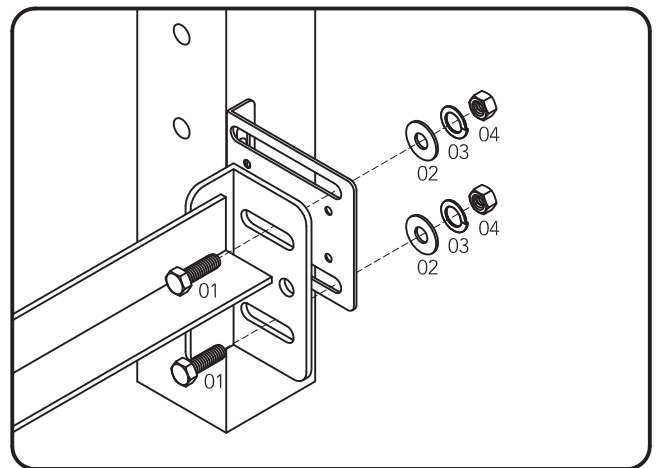
Attach Crown (A) to unit with Dowels (short), Cam Locks and 5/8" Flat Head Screws.



How to Attach Headboard to Metal Bed Frame



Holes for Queen Metal Bed Frame.
(See Figure 1)



Holes for Full Metal Bed Frame.
(See Figure 2)

Hardware List (Not Included)

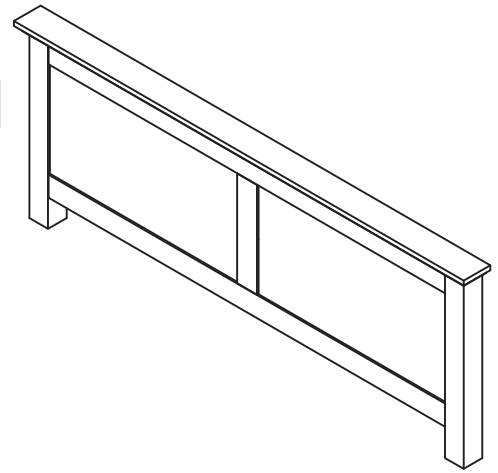
01
Machine Screw M8 x 25
4 pcs.

02
Flat Washer M8
4 pcs.

03
Spring Washer M8
4 pcs.

04
Nut M8
4 pcs.

Queen Footboard



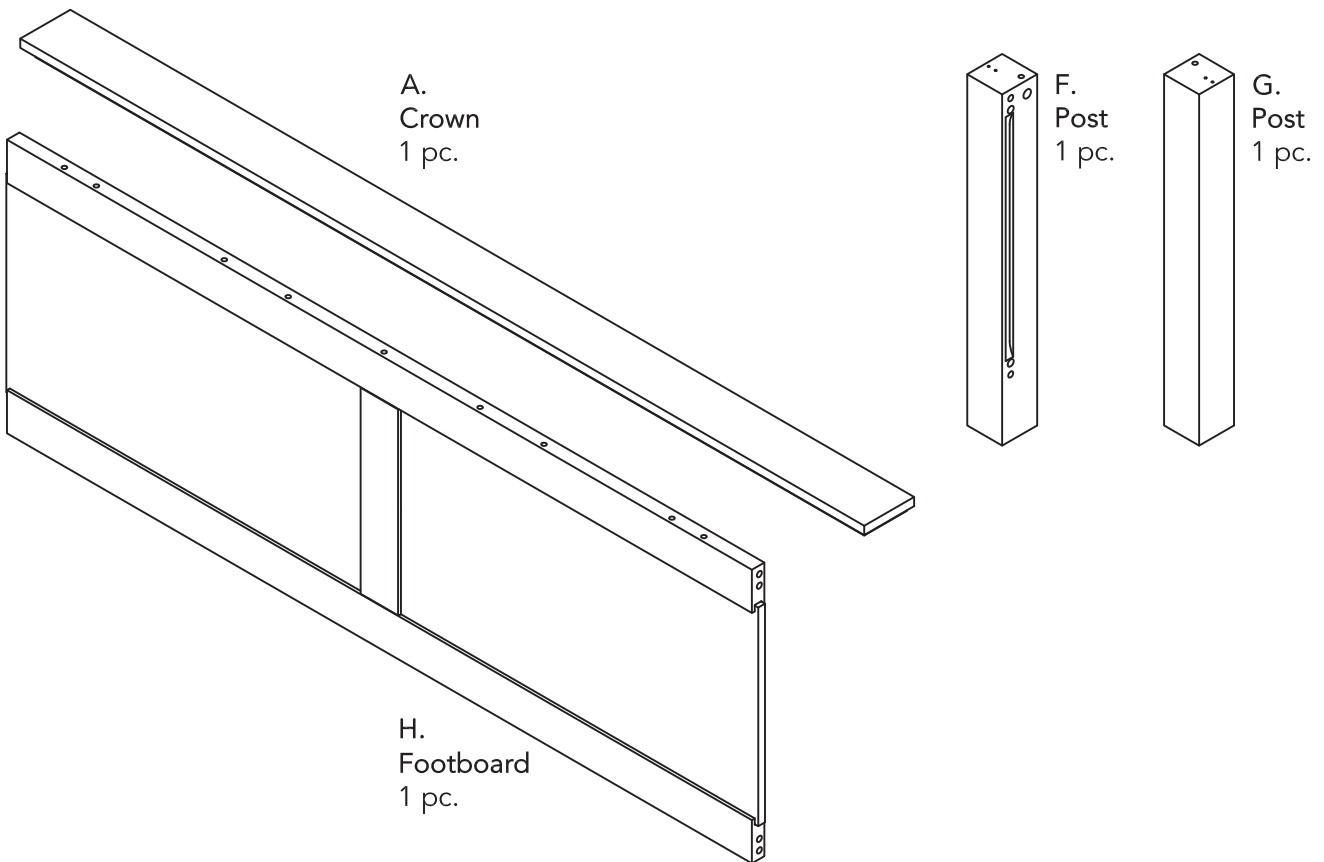
IMPORTANT

Carefully remove all the parts from the carton and place them individually on a soft cloth to prevent scratches or other damage.

Carefully and strictly follow these assembly instructions to ensure a completed product as designed.

Do not use power tools above 8 volts to assemble.

Part List



Hardware List



Cam Lock Screw
7 pcs. (+2 extra)



Cam Lock
7 pcs. (+2 extra)



Wrench
1 pc.



5/16" x 3 1/8"
Bolt
4 pcs. (+1 extra)



Square Washer
4 pcs. (+1 extra)



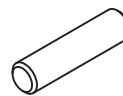
Nut
4 pcs. (+1 extra)



M3x16
5/8" Flat Head Screw
6 pcs. (+1 extra)



Plate
2 pcs.



Dowel (long)
4 pcs. (+1 extra)



Dowel (short)
4 pcs. (+1 extra)

Tool(s) required for assembly: Phillips screwdriver

homestyles Customer Service: www.homestylesfurniture.com,
servicedesk@homestylesfurniture.com, 888-680-7460

Assembly Instructions 2/4

IMPORTANT

- Use a soft cloth between these parts and the floor.
- Do not use power tools above 8 volts to assemble.
- Do not tighten all the bolts until each part is properly assembled.
- Keep Wrench and Hex Wrench as the Nuts and Head Cap Bolts may need to be tightened in the future.

STEP 1

Insert Bolts into pre-drilled holes in Posts (F) and (G), then tighten.

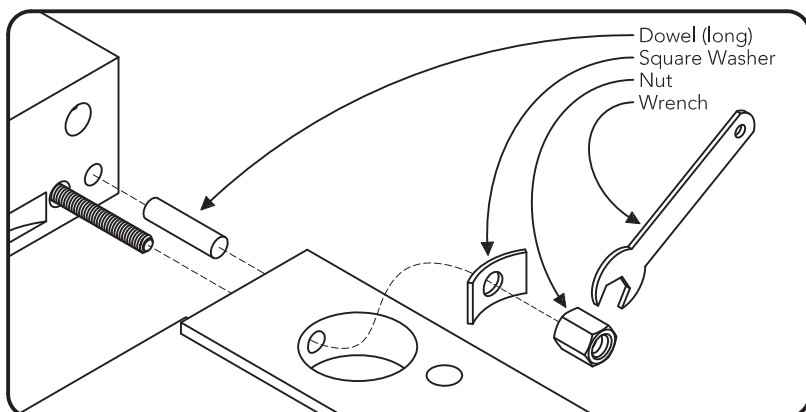
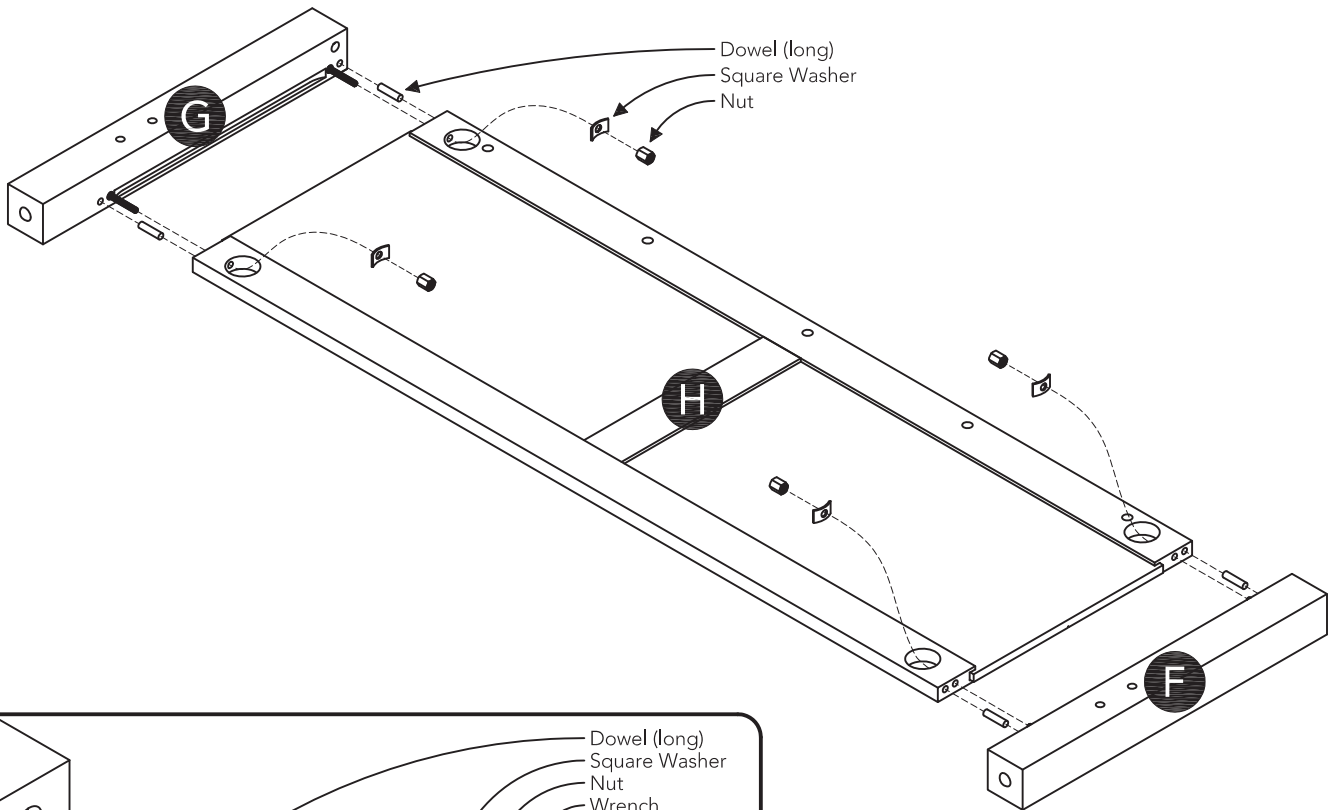
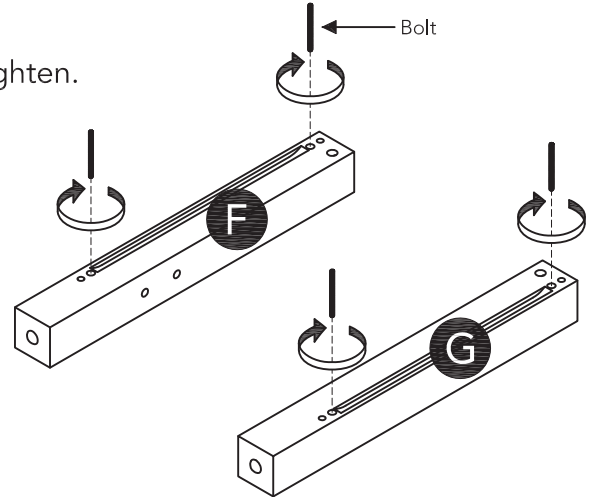


Figure 1

STEP 2

Attach Posts (F) and (G) to Footboard (H) with Dowels (long), Square Washers and Nuts.

Tighten Nuts with Wrench. (See Figure 1)

Assembly Instructions 3/4

STEP 3

Attach Plates to unit with 5/8" Flat Head Screws.
(See Figure 2)

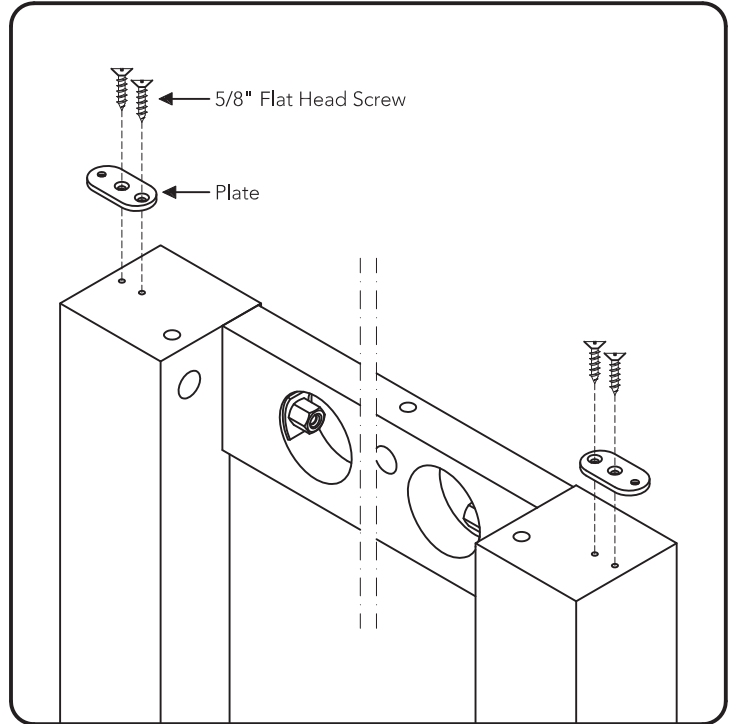
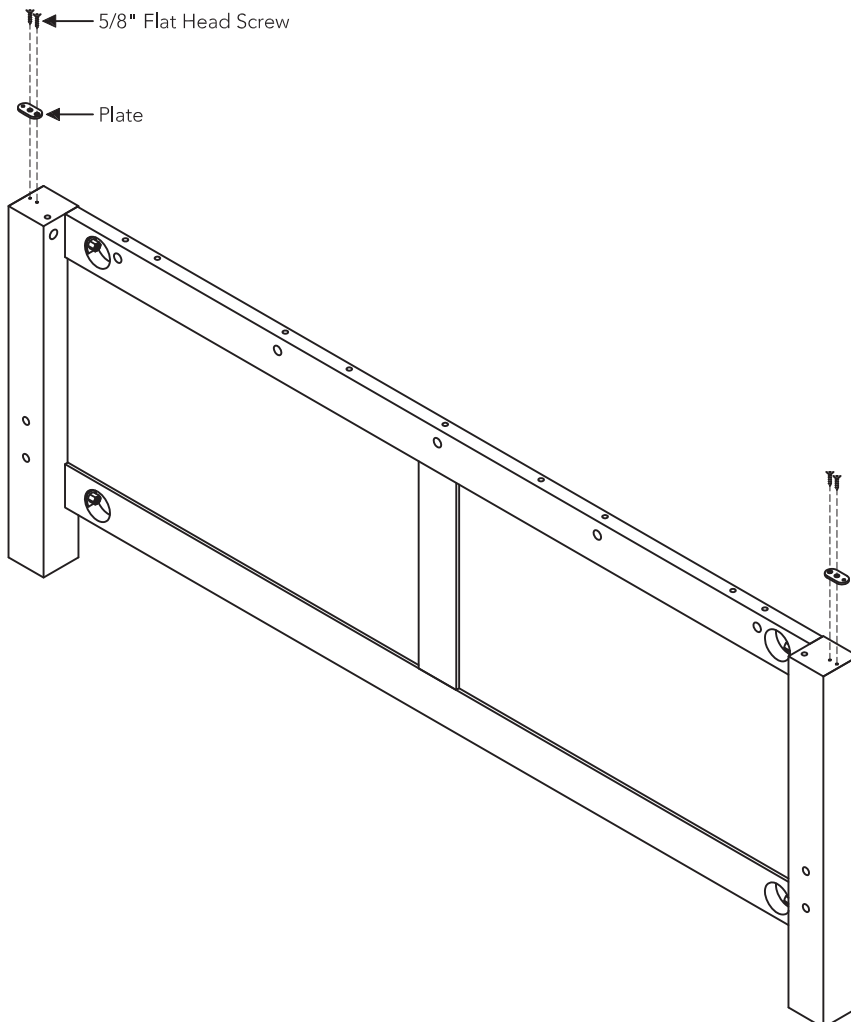


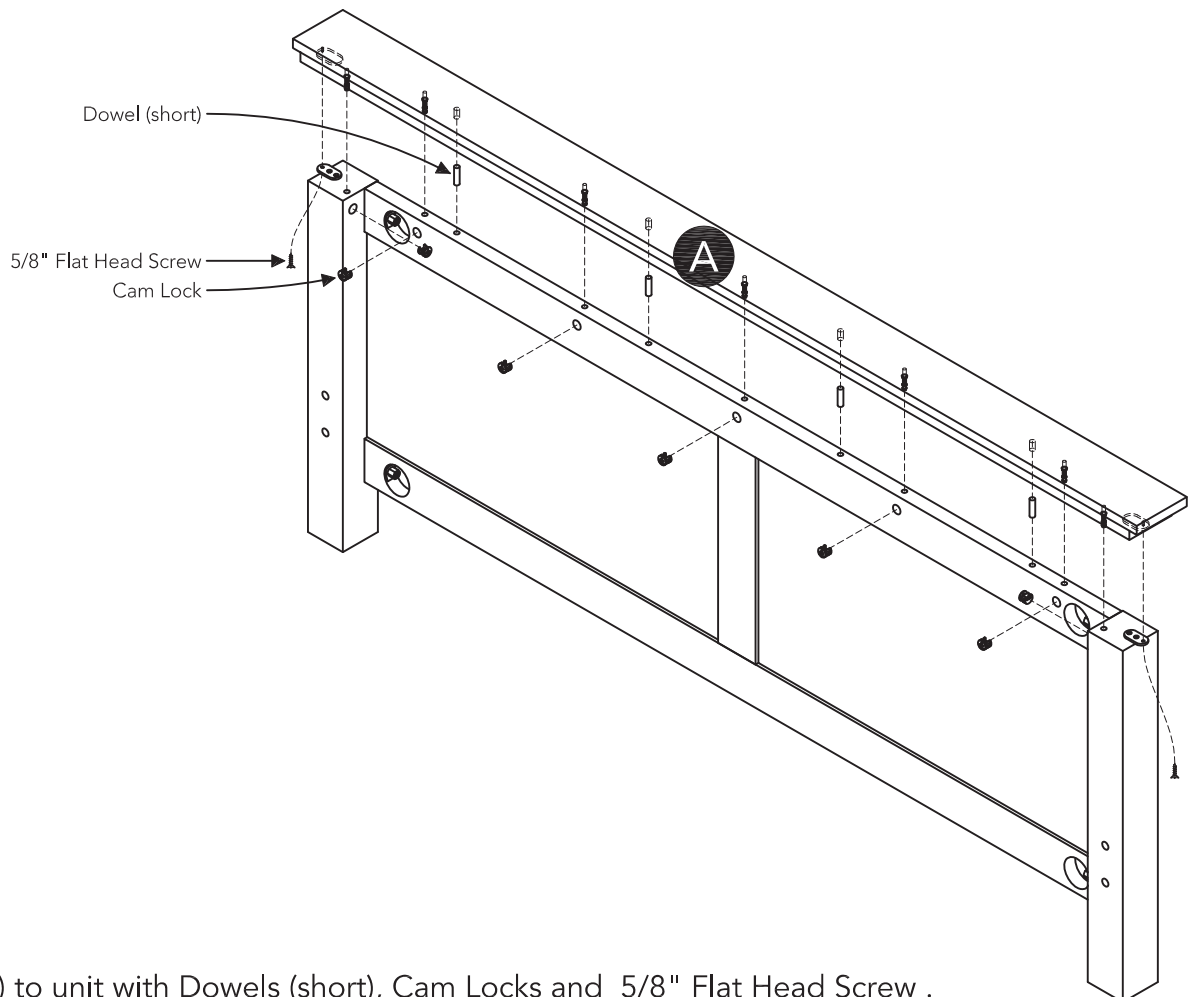
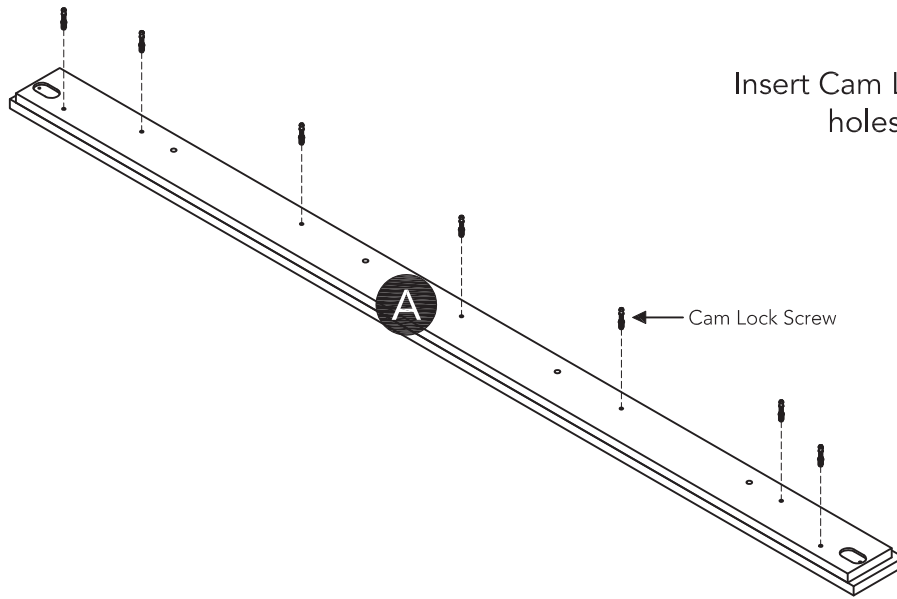
Figure 2



Assembly Instructions 4/4

STEP 4

Insert Cam Lock Screws into pre-drilled holes in Crown (A), then tighten.



STEP 5

Attach Crown (A) to unit with Dowels (short), Cam Locks and 5/8" Flat Head Screw .

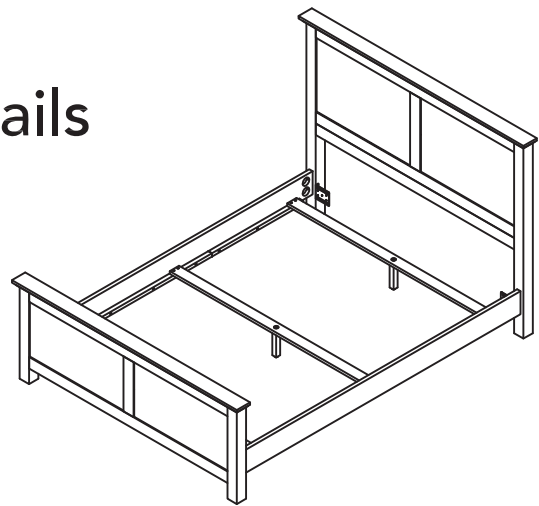
Queen Bed Rails

IMPORTANT

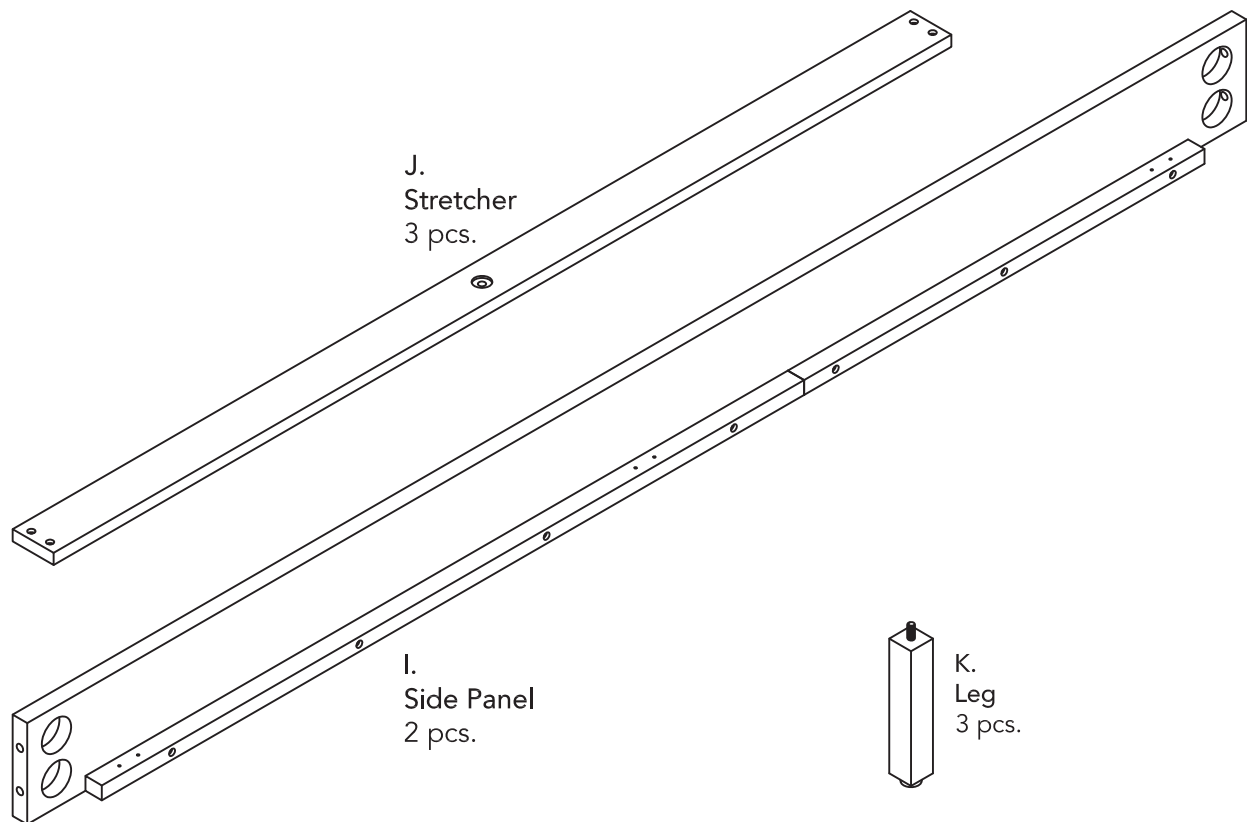
Carefully remove all the parts from the carton and place them individually on a soft cloth to prevent scratches or other damage.

Carefully and strictly follow these assembly instructions to ensure a completed product as designed.

Do not use power tools above 8 volts to assemble.



Part List



Hardware List



5/16"x3 1/8"
Bolt
8 pcs. (+1 extra)



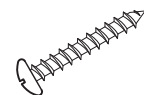
Square Washer
8 pcs. (+1 extra)



Nut
8 pcs. (+1 extra)



Wrench
1 pc.



M4x25
Wood Screw
12 pcs. (+1 extra)

Cartons 5910-501 and 502 are also needed for assembly.

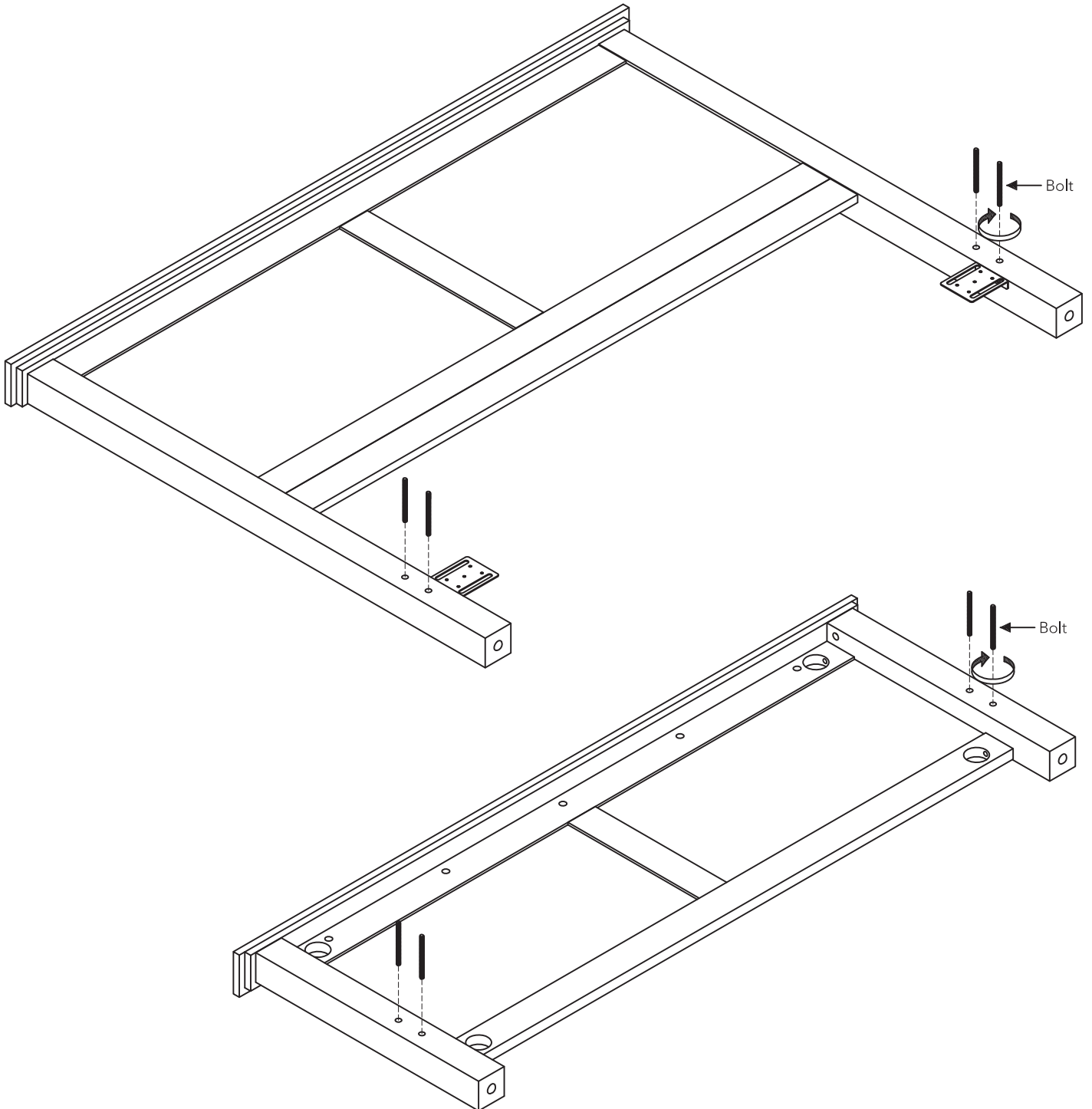
Tool(s) required for assembly: Phillips screwdriver, Level

homestyles Customer Service: www.homestylesfurniture.com,
 servicedesk@homestylesfurniture.com, 888-680-7460

Assembly Instructions 2/3

IMPORTANT

- Use a soft cloth between these parts and the floor.
- Do not use power tools above 8 volts to assemble.
- Do not tighten all the screws until each part is properly assembled.
- Keep Wrench as the Nuts may need to be tightened in the future.
- Do not slide bed on floor. To move assembled bed requires two people. Remove any bedding, then lift and carry bed.



STEP 1

Insert Bolts into pre-drilled holes in Headboard and Footboard, then tighten.

Assembly Instructions 3/3

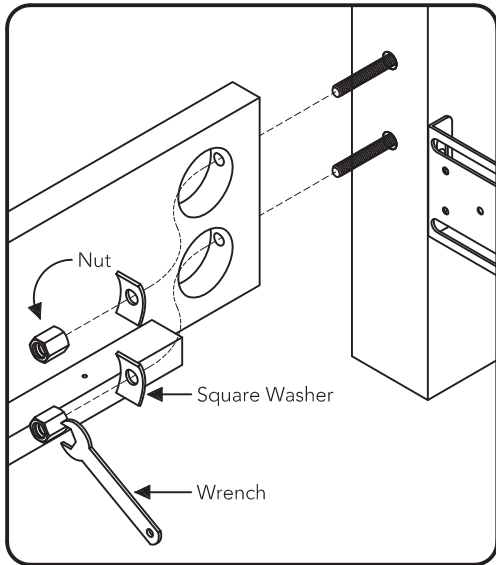
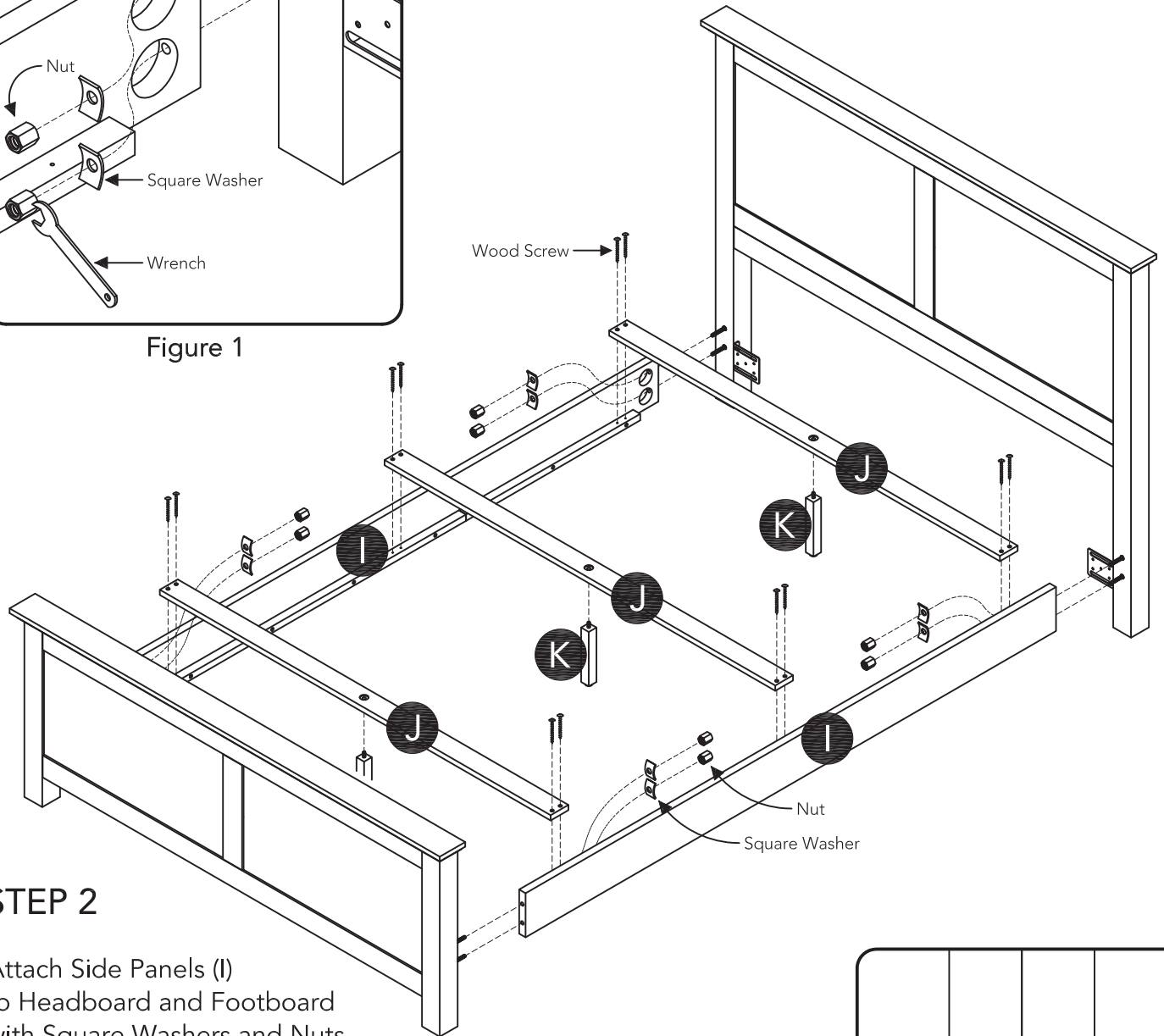


Figure 1



STEP 2

Attach Side Panels (I) to Headboard and Footboard with Square Washers and Nuts.

Tighten all Nuts with Wrench. (See Figure 1)

Insert Legs (K) into pre-drilled holes in Stretches (J), then tighten.

Attach Stretches (J) to unit with Wood Screws into pre-drilled holes.

Level unit by adjusting the adjustable levelers on bottom of legs. (See Figure 2)

Note: Unit must be level to work properly.

Note: Do not slide bed on floor. To move assembled bed requires two people. Remove any bedding, then lift and carry bed.

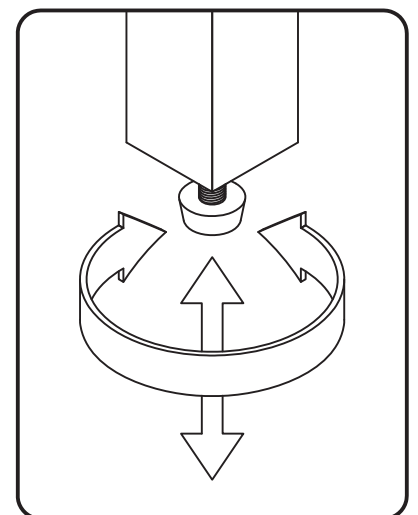


Figure 2

CARE INSTRUCTIONS

NEVER

allow liquids to remain on furniture.
Absorption causes parts to warp
and split and finishes to delaminate.

NEVER

use glass cleaners on
finished furniture. Ammonia
chemically attacks the finish.



Do not use power tools
above 8 volts to assemble.

**PREVENT
CRACKING**



Do not place
in direct sunlight.

**PREVENT
FADING**



Do not write
directly on surface.

**PREVENT
MARKING**



Do not place hot
objects on surface.

**PREVENT
FINISH DAMAGE**



Do not use rubber
based placemats.

**PREVENT
DISCOLORING**



Do not use commercial
waxes and polishes.

**PREVENT
YELLOWING**

CLEAN

with a soft cloth moistened
in lukewarm soap and water.
Buff with a dry clean cloth.



homestyles will provide replacements free of charge for missing or damaged parts within 30 days of purchase. Digital images of the defective parts may be required. If the product was not purchased from an authorized retailer, **homestyles** is under no obligation to provide replacement parts. Parts are not available for fully assembled items nor are parts available for sale. Replacements for missing or damaged parts may be requested via contact info below.

homestyles Customer Service: www.homestylesfurniture.com,
servicedesk@homestylesfurniture.com, 888-680-7460