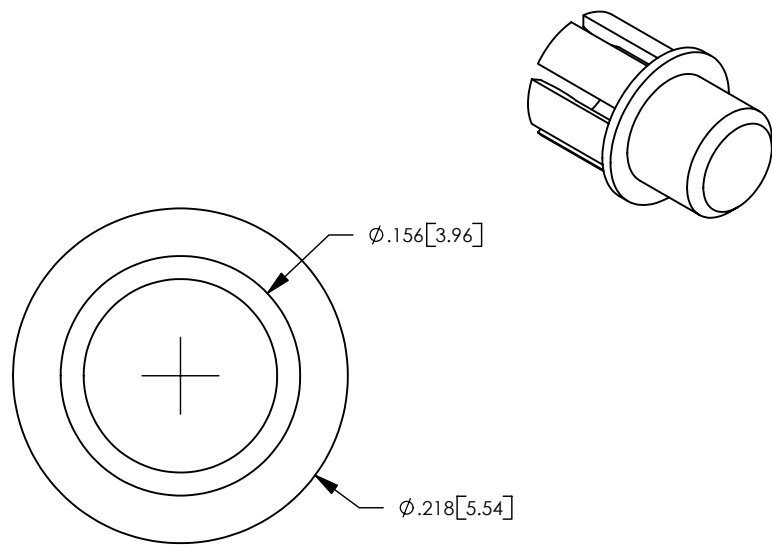
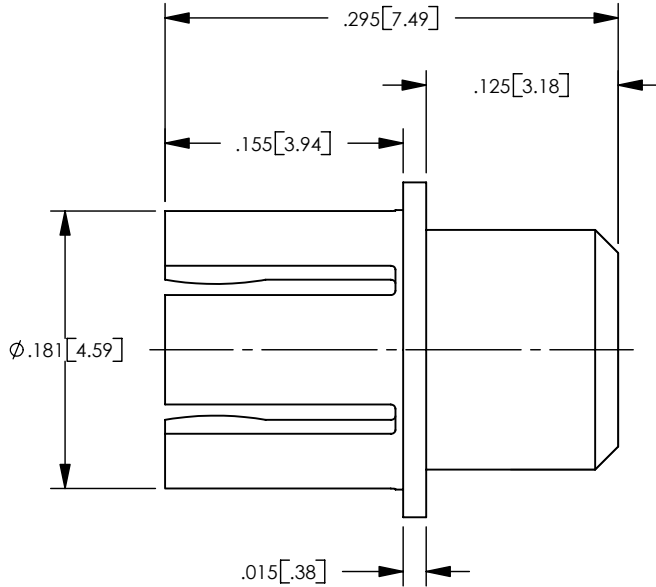


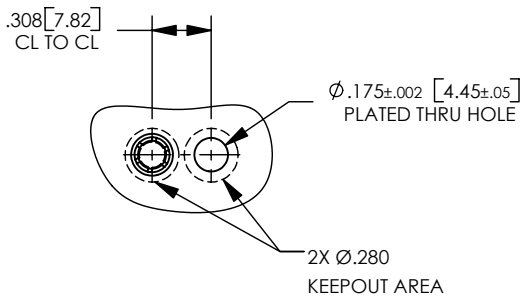
NOTES: UNLESS OTHERWISE SPECIFIED

1. MATERIAL SPECIFICATIONS:
BODY: BRASS PER ASTM B16
2. FINISH SPECIFICATIONS:
BODY: .000010 MIN. GOLD PER SAE-AMS-2422 OVER
.000080 MIN. NICKEL PER SAE-AMS-QQ-N-290
3. FORCE DATA (MATED WITH CATALOG No. 01369)
MIN. ENGAGEMENT: 2.0lbs.
MAX. DISENGAGEMENT: 3.5lbs.
DURABILITY: 50 CYCLES

| REV | DESCRIPTION | BY DATE | APPD |
|-----|----------------------|-----------------|------|
| A | RELEASED PER ECR8821 | CWB 02/16/06 | LMD |



CATALOG No. 01370 SHOWN



RECOMENDED PCB
MOUNTING HOLE &
KEEPOUT AREA

PER ASME Y14.5M-1994
UNLESS OTHERWISE SPECIFIED:
DIMENSIONS ARE IN INCHES [MM]
TOLERANCES:
DECIMAL: XX ± .01 [0.3]
.XXX ± .005 [0.13]
.XXXX ± .XXXX
ANGLES: ± 2° SCALE: 4:1

NORTHROP GRUMMAN
Winchester Electronics 62 Barnes Industrial Road North
Wallingford, CT 06492

| DRAWN | | APPROVED | |
|-----------------|-----------------|-----------------|-----------------|
| DATE | DATE | DATE | DATE |
| CWB 12/14/05 | WPM 02/16/06 | LMD 12/14/05 | TMC 02/16/06 |

| | | | |
|------------------|---------|--|-------|
| CUSTOMER DRAWING | | LOW PROFILE THRU HOLE SOCKET (RoHS) | |
| A | SD01370 | SHT 1 OF 1 | REV A |

June 2006 - This drawing became the property of Winchester Electronics Corporation, Wallingford, CT.