

## FOR SFM3SQ FLANGELESS ADAPTER FOR WOOD, STONE, TILE, AND OTHER SOLID CEILINGS

Aculux flangeless adapters are intended to be used only with 3-1/4" Aculux new construction housings and corresponding flangeless trims.

**Note:** Refer to Chart below to determine the right adapter for a given ceiling thickness.

Catalog Number	Ceiling Thickness
SFM3SQ/100(B,W)	1/2" - 1"
SFM3SQ/138(B,W)	1" - 1-3/8"
SFM3SQ/163(B,W)	1-3/8" - 1-3/4"

Specify Finish:

B = Black

W = White (may be field painted)

### Installation Steps

**Step 1.** Install Aculux new construction housing per the instruction sheet shipped with the recessed housing. Install ceiling with a precise cutout measuring exactly 4.020" x 4.020" square (The bottom surface of flangeless adapter can be used as a template).

**Step 2.** Slide adapter into fixture, and secure it to housing by tightening three captive screws as shown in Figure 1. Level the adapter using the screws until flush with the ceiling.

**Step 3.** For SFM3SQ/100, skip to Step 5. For SFM3SQ/138 and SFM3SQ/163 when ceilings are thicker than 1-1/4", on the trim, remove screws and springs as shown in Figure 2.

**Step 4.** Attach spring extension assembly to trim using screws removed in step 3, as shown in Figure 3.

**Step 5.** Aim fixture, and install trim.

Figure 1

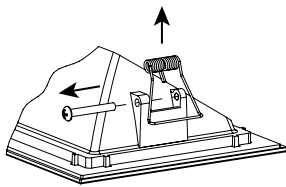
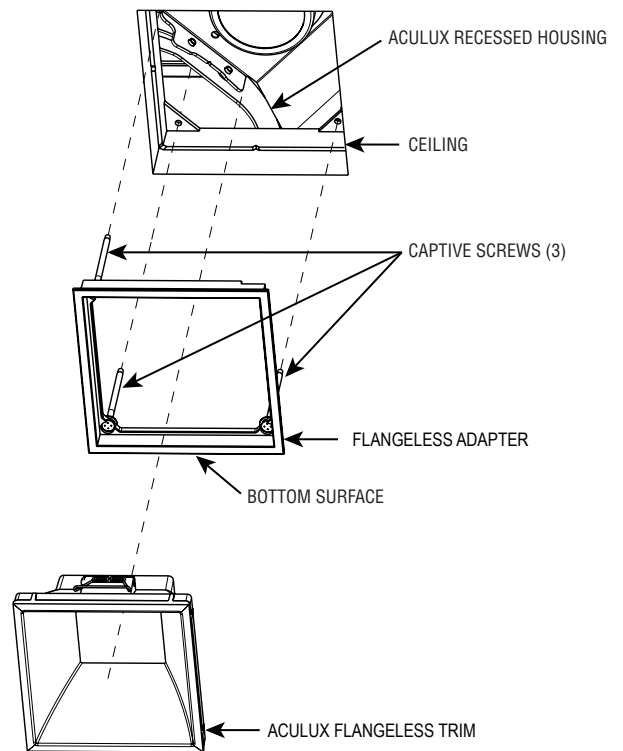


Figure 2

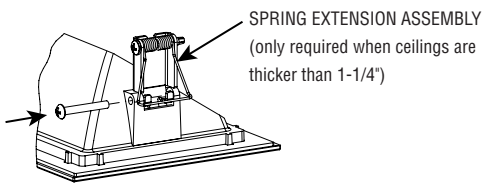


Figure 3

Product Services Phone (888) 387-2212