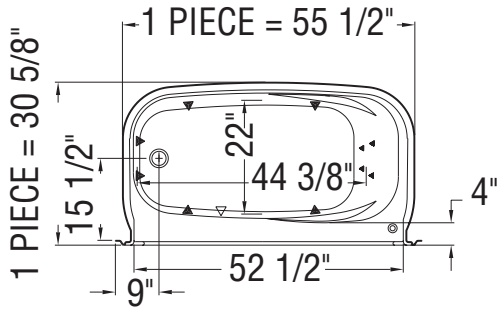
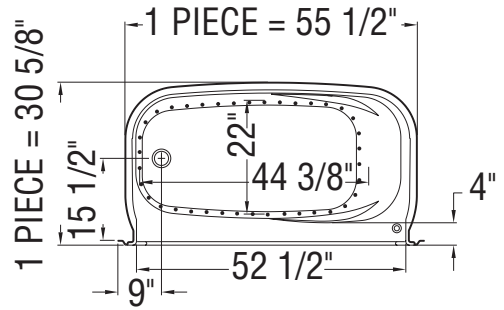


MICRO-JETS SYSTEM



AIR SYSTEM



- ( ▲ ): Indicates whirlpool and backjets positioning
- ( △ ): Indicates suction positioning
- ( • ): Indicates airjets positioning

**All dimensions are approximate. Structure measurements must be verified against the unit to ensure proper fit.**