


ASSEMBLY INSTRUCTION

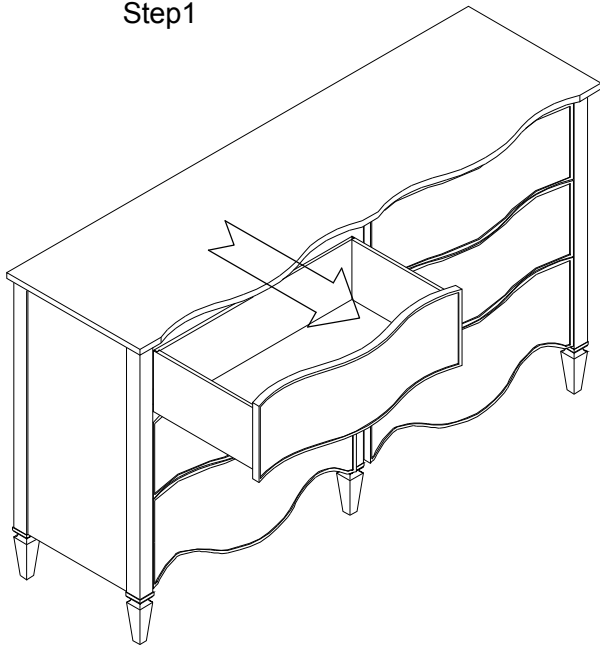
Item: 6900-90202-89 Six-Drawer Dresser

Thank you for purchasing this quality product. Be sure to unpack carefully looking for small parts which may have come loose during shipment. Read all instruction and study the drawing carefully before starting the assembly process.

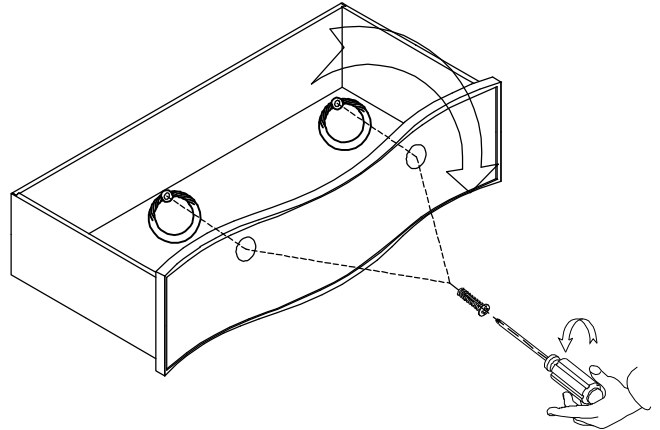
HARDWARE PACK

NO.	DRAWING	DESCRIPTION	SIZE	QTY
A		Anti tip hardware pack		1set

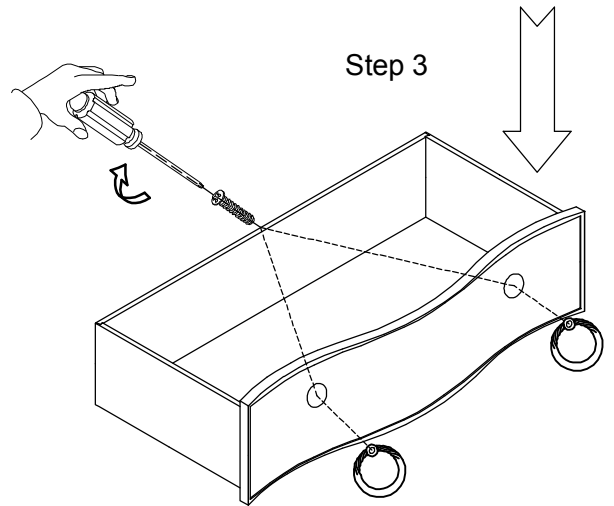
Step 1



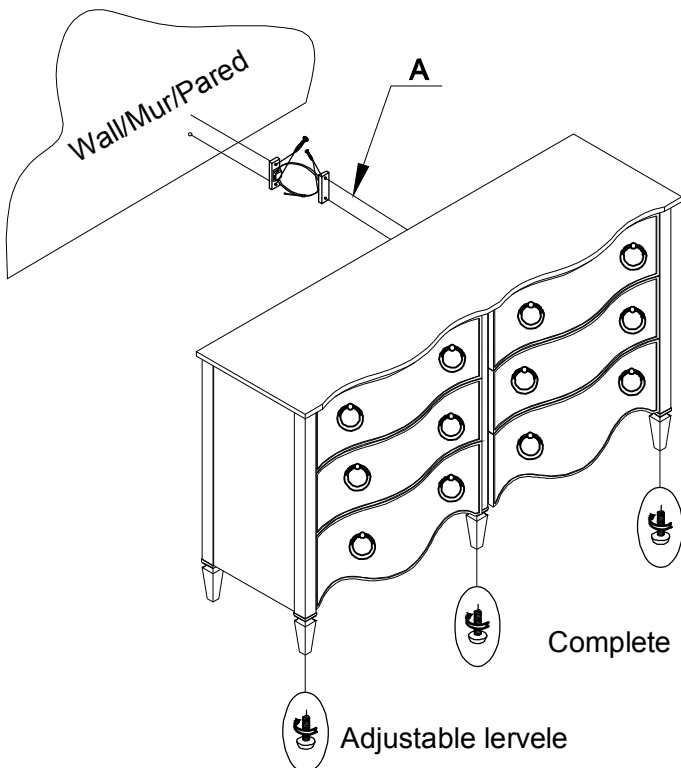
Step 2



Step 3



Note: the pull need to assembly to the drawer front



Adjust levelers if needed, to level case on uneven floor