

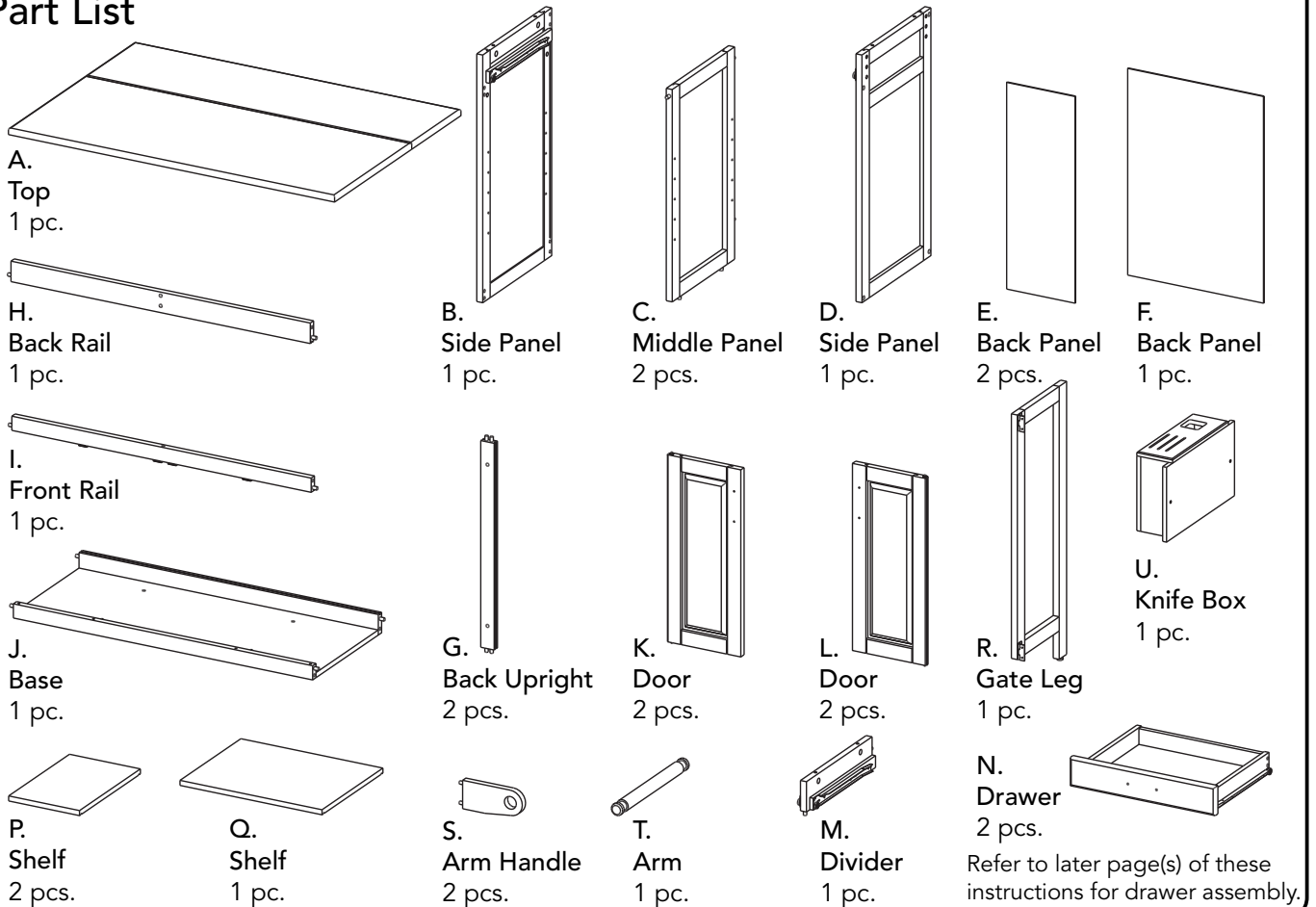
IMPORTANT

Carefully remove all the parts from the carton and place them individually on a soft cloth to prevent scratches or other damage.

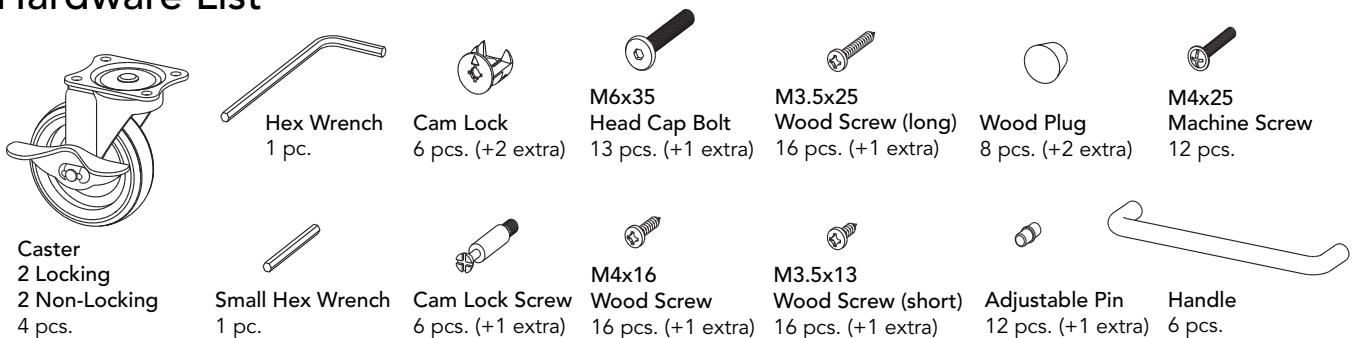
Carefully and strictly follow these assembly instructions to ensure a completed product as designed.

Do not use power tools above 8 volts to assemble.

Part List



Hardware List



Tool(s) required for assembly: Phillips screwdriver

Assembly Instructions 2/7

IMPORTANT

- Use a soft cloth between these parts and the floor.
- Do not use power tools above 8 volts to assemble.
- Do not tighten all the screws until each part is properly assembled.
- Keep Hex Wrench as the bolts may need to be tightened in the future.

STEP 1

Attach Side Panel (B) to Base (J) with Head Cap Bolts. (See Figure 1)

Attach Back Uprights (G) to Middle Panels (C), then attach to unit.

Note: Assemble so Arrow labels on Back Uprights (G) point to each other.

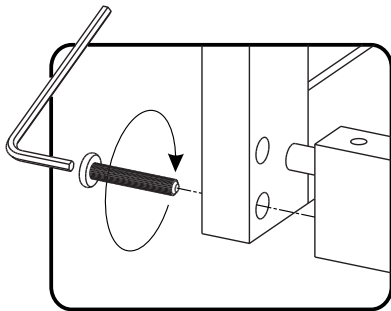
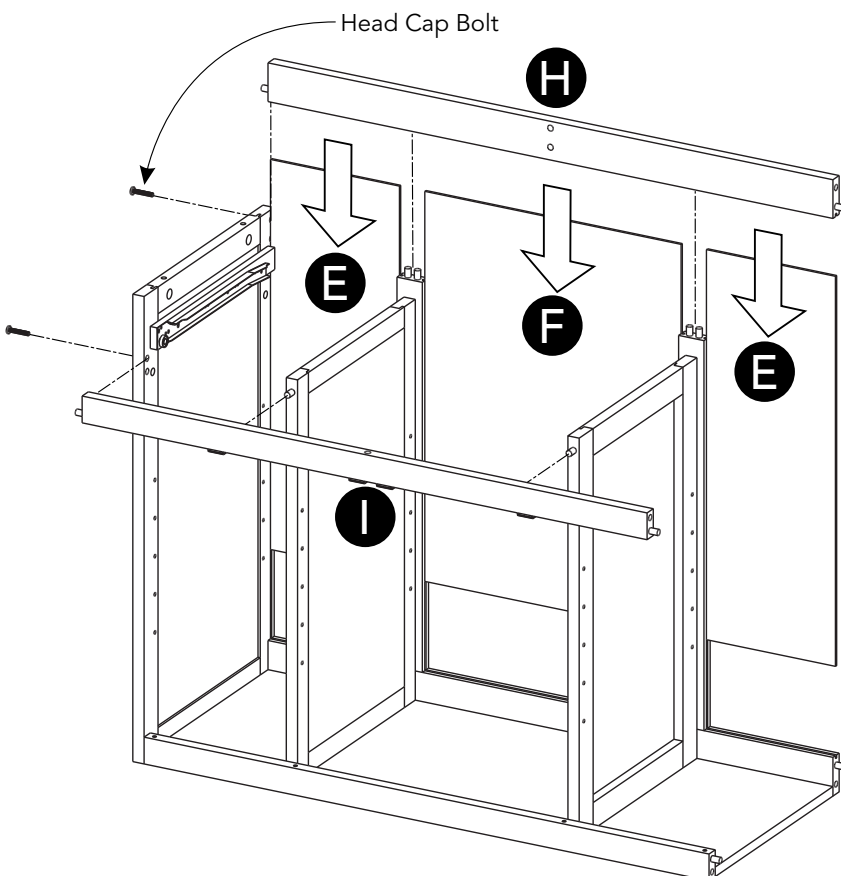
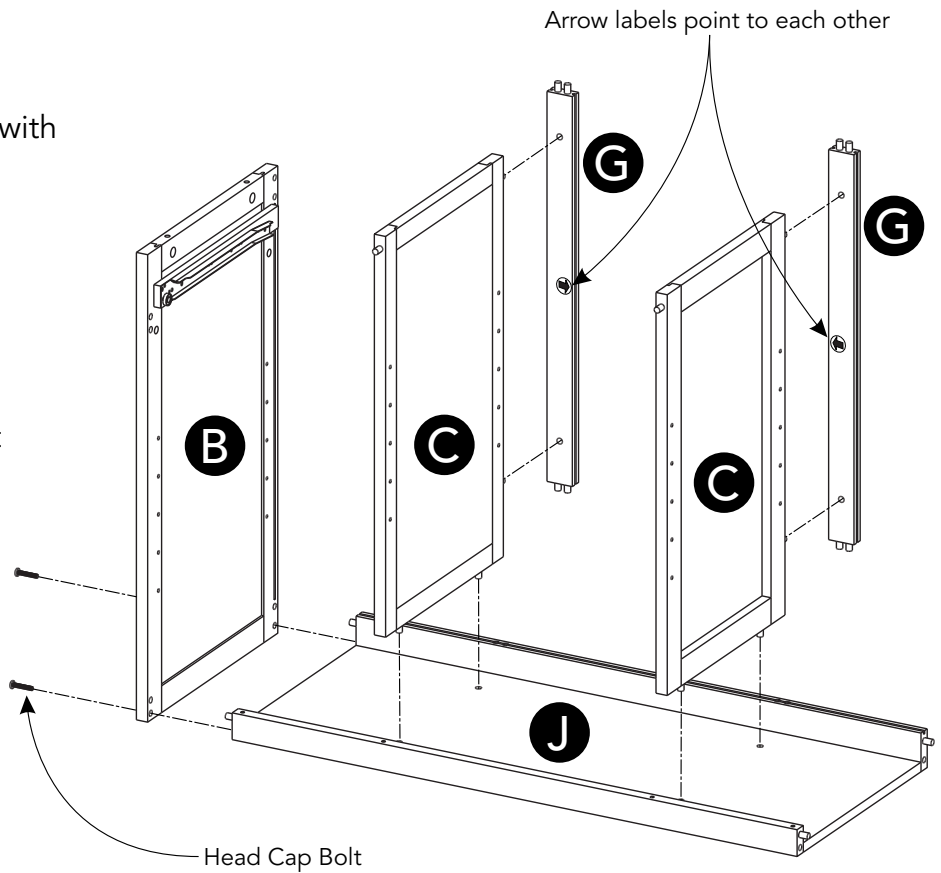


Figure 1



STEP 2

Slide Back Panels (E) and (F) into position.

Attach Back Rail (H) to unit with Head Cap Bolt.

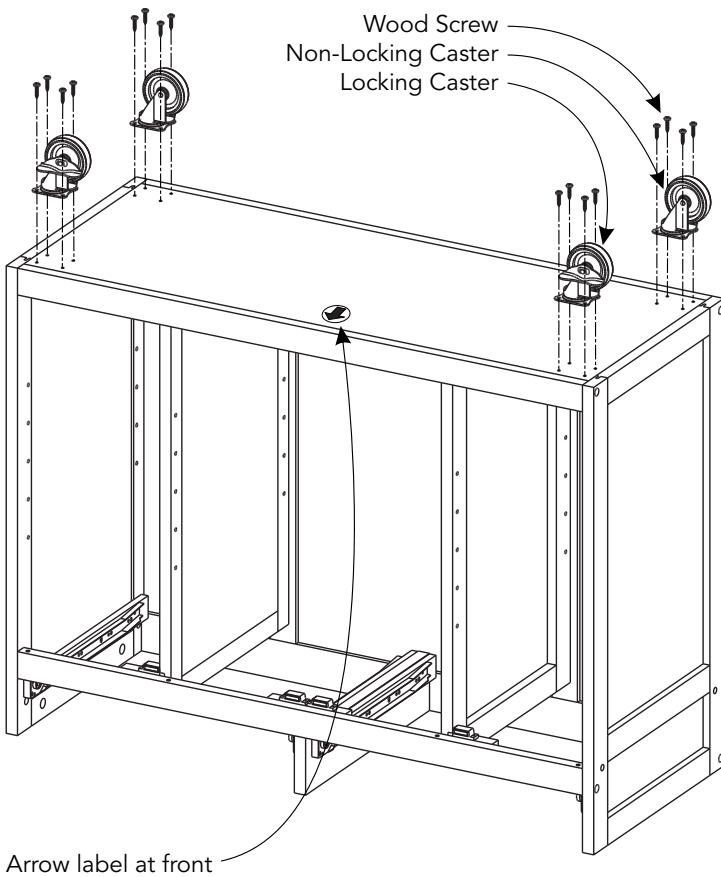
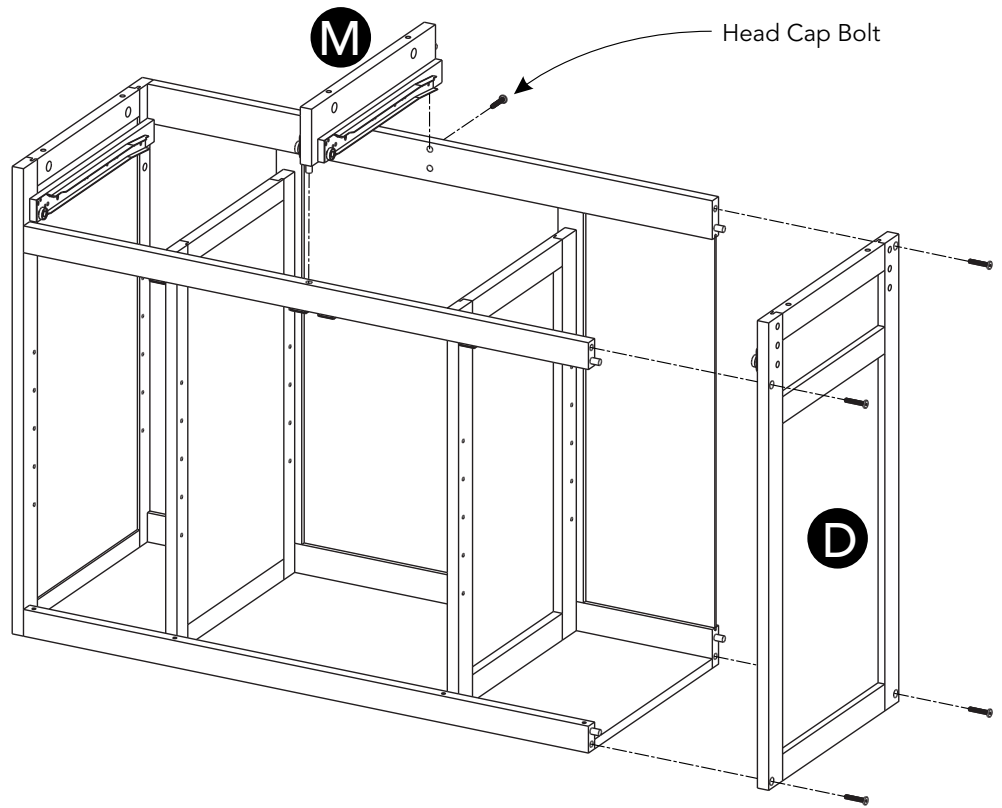
Attach Front Rail (I) to unit with Head Cap Bolt.

Assembly Instructions 3/7

STEP 3

Attach Divider (M) to unit with Head Cap Bolt.

Attach Side Panel (D) to unit with Head Cap Bolts.



STEP 4

Turn unit upside down.

Attach Casters to unit with Wood Screws into pre-drilled holes, with Locking Casters at front. (See Figure 2)

Note: Arrow label indicates front of unit.

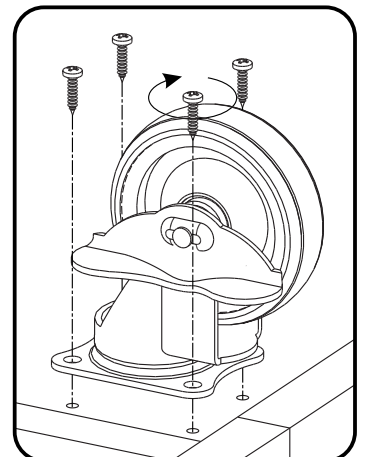


Figure 2

Assembly Instructions 4/7

STEP 5

Turn unit over to its upright position.

Attach Arm Handles (S) to unit with Head Cap Bolts.

Slide Arm (T) into position.

Attach Knife Box (U) to unit with Head Cap Bolts.

Attach Gate Leg (R) to unit with Wood Screws (short) into pre-drilled holes. (See Figure 3)

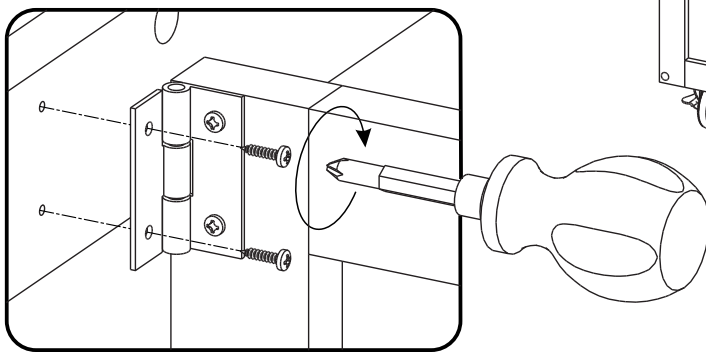
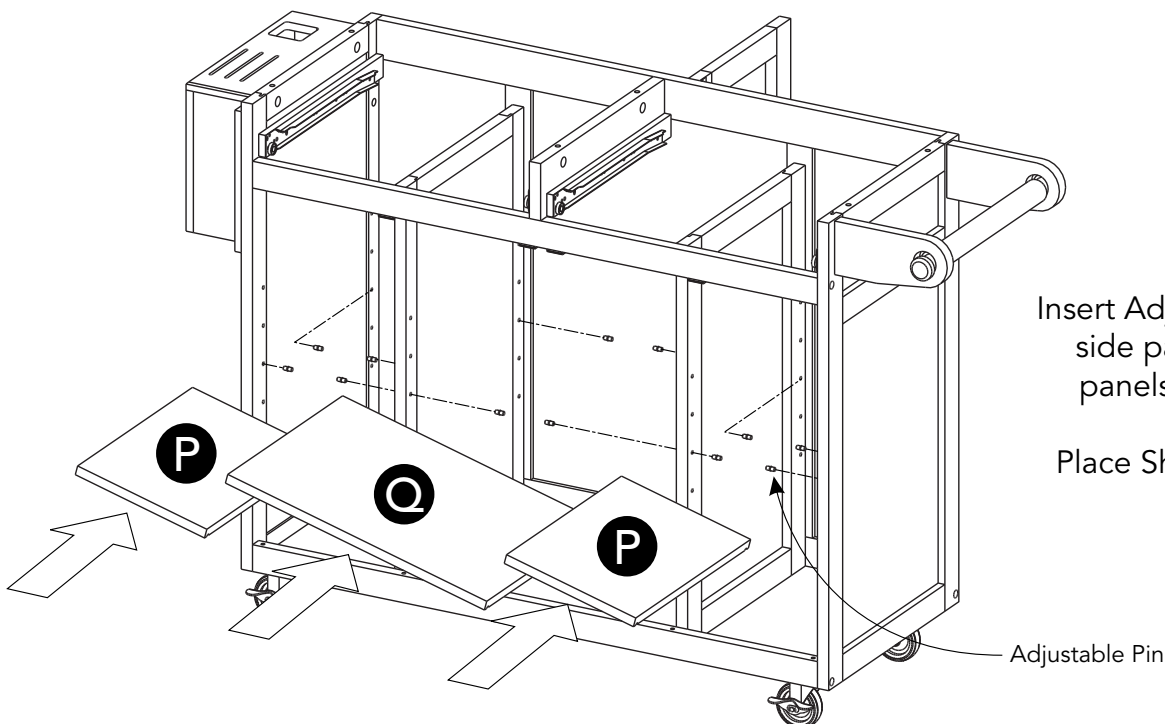
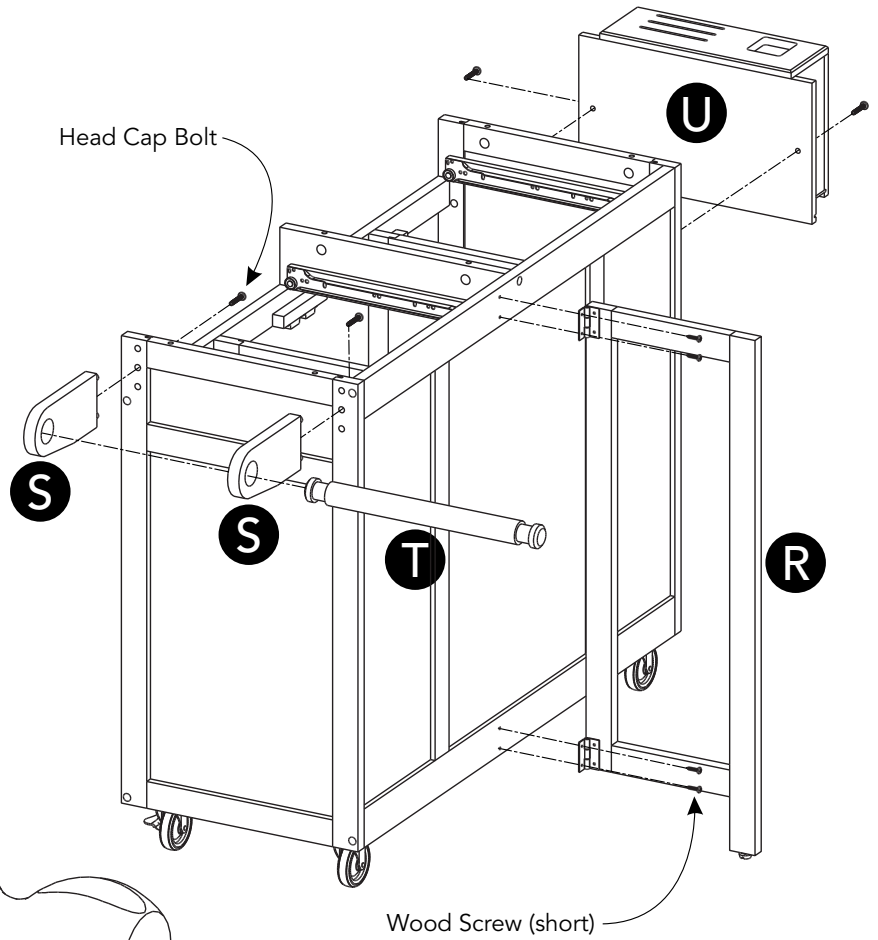


Figure 3



STEP 6

Insert Adjustable Pins into side panels and middle panels at desired level.

Place Shelves (P) and (Q) into position.

Assembly Instructions 5/7

STEP 7

Place Top (A) upside down on a soft cloth.

Insert Cam Lock Screws into pre-drilled holes in Top (A), then tighten. (See Figure 4)

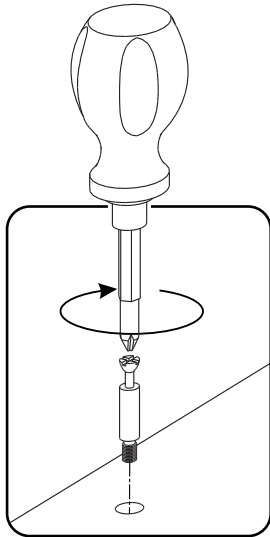
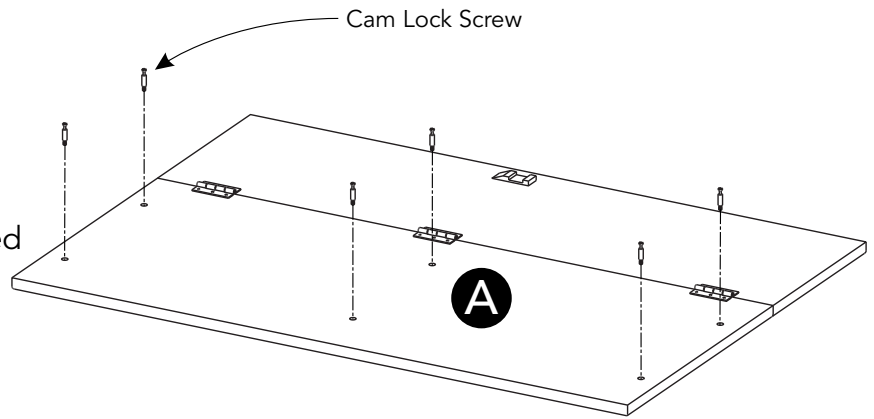


Figure 4

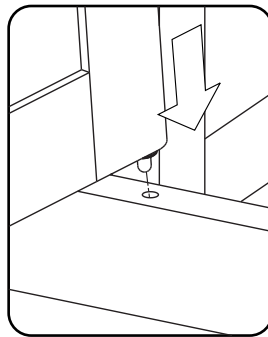


Figure 5

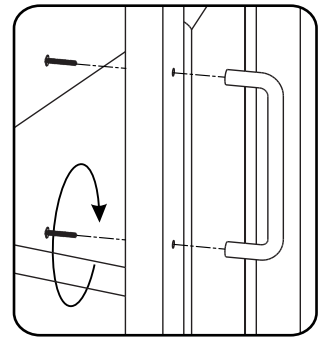
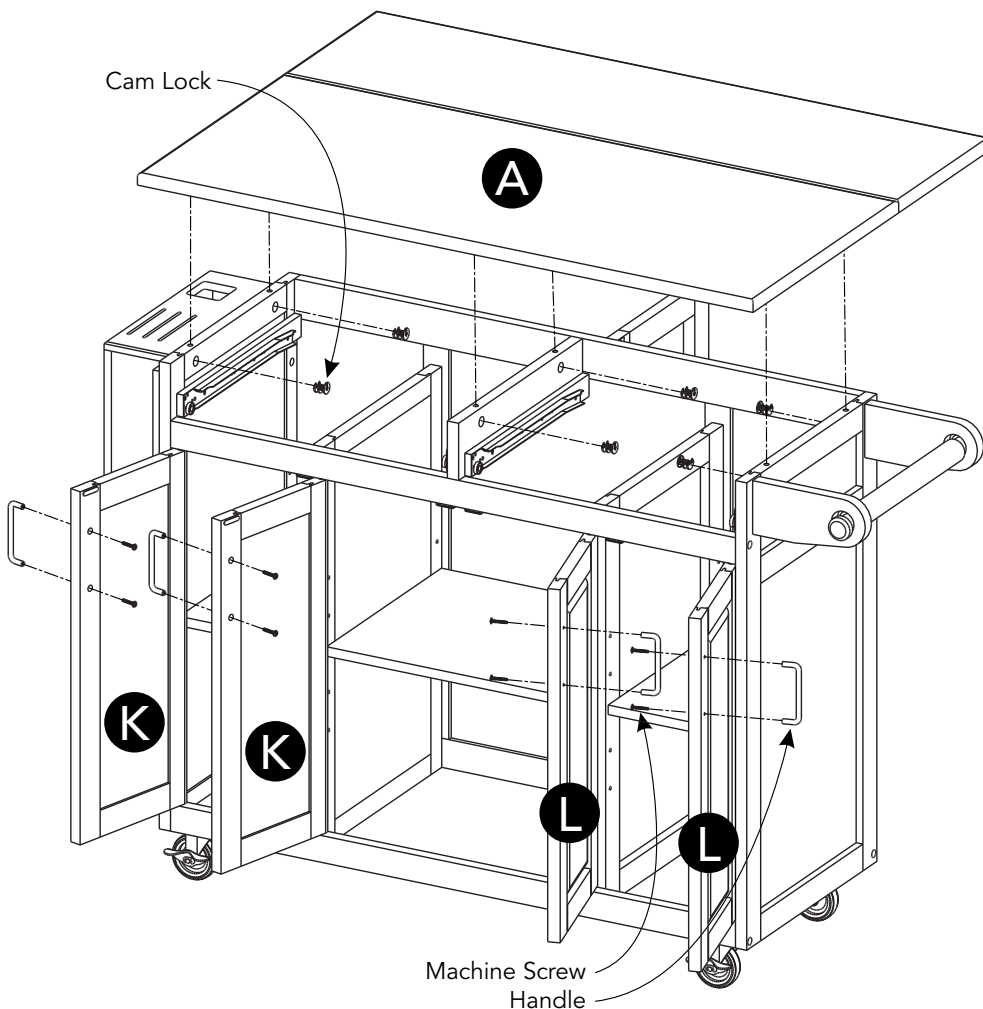


Figure 6



STEP 8

Attach Doors (K) and (L) to unit by inserting lower spring pins into holes in unit, then inserting upper spring pins into holes in unit. (See Figure 5)

Attach Handles to Doors (K) and (L) with Machine Screws. (See Figure 6)

Attach Top (A) to unit with Cam Locks. (See Figure 7)

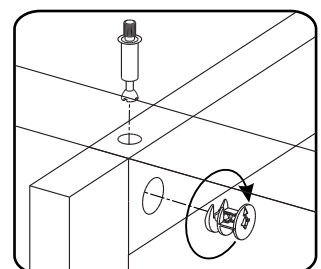
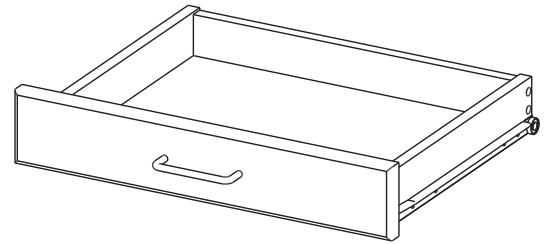
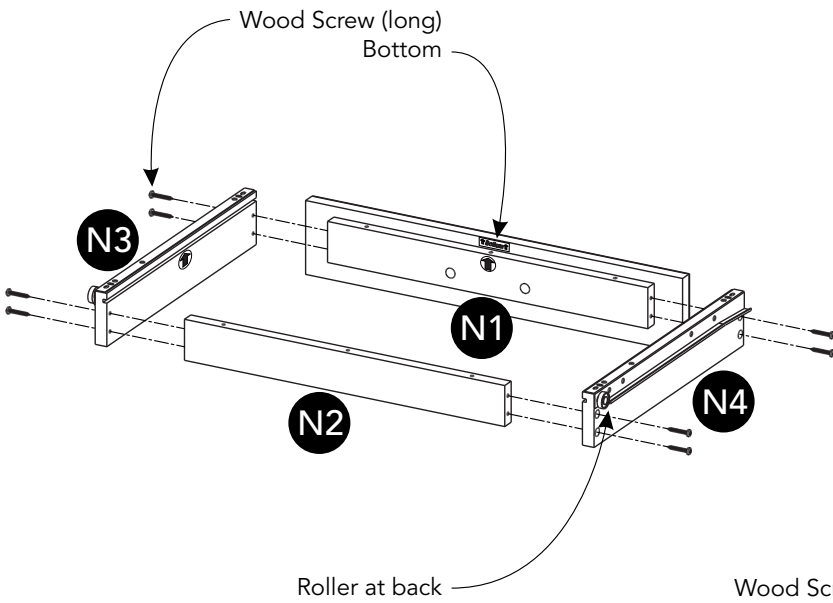


Figure 7

Assembly Instructions 6/7

Drawer (N)



STEP 9

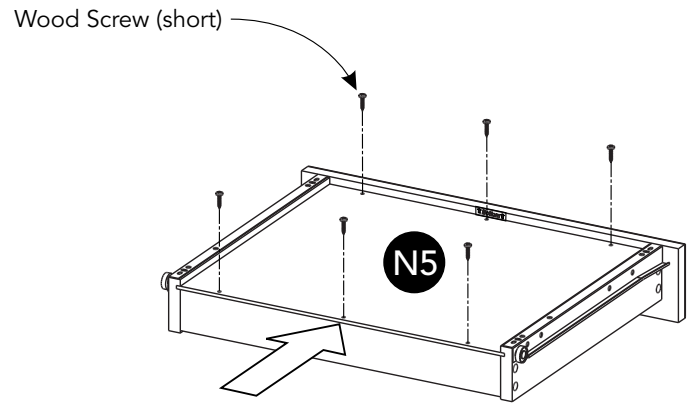
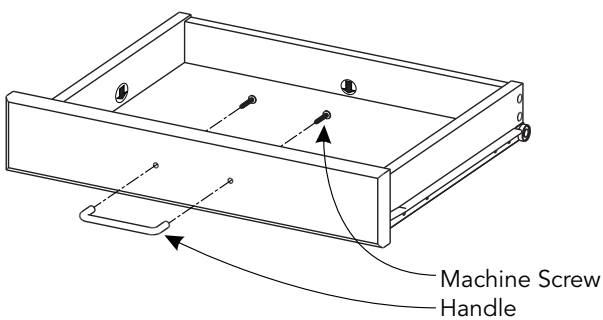
Attach Drawer Front (N1) and Drawer Back (N2) to Drawer Side (N3) with Wood Screws (long).

Attach Drawer Side (N4) to unit with Wood Screws (long).

STEP 10

Slide Drawer Bottom (N5) into groove.

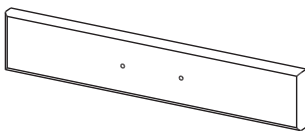
Attach Drawer Bottom (N5) to unit with Wood Screws (short).



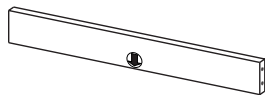
STEP 11

Attach Handle with Machine Screws.

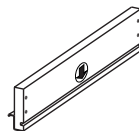
Part List



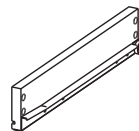
N1.
Drawer Front
2 pcs.



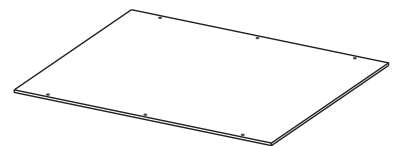
N2.
Drawer Back
2 pcs.



N3.
Drawer Side
2 pcs.



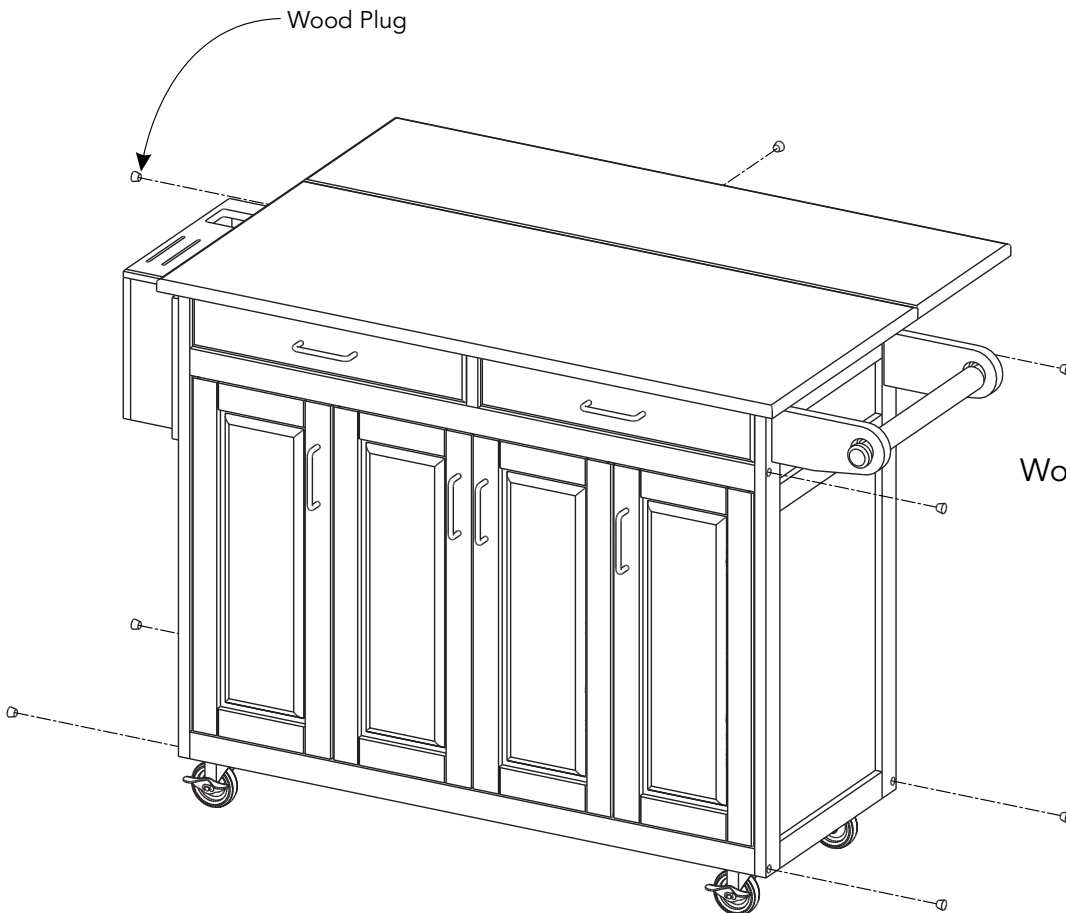
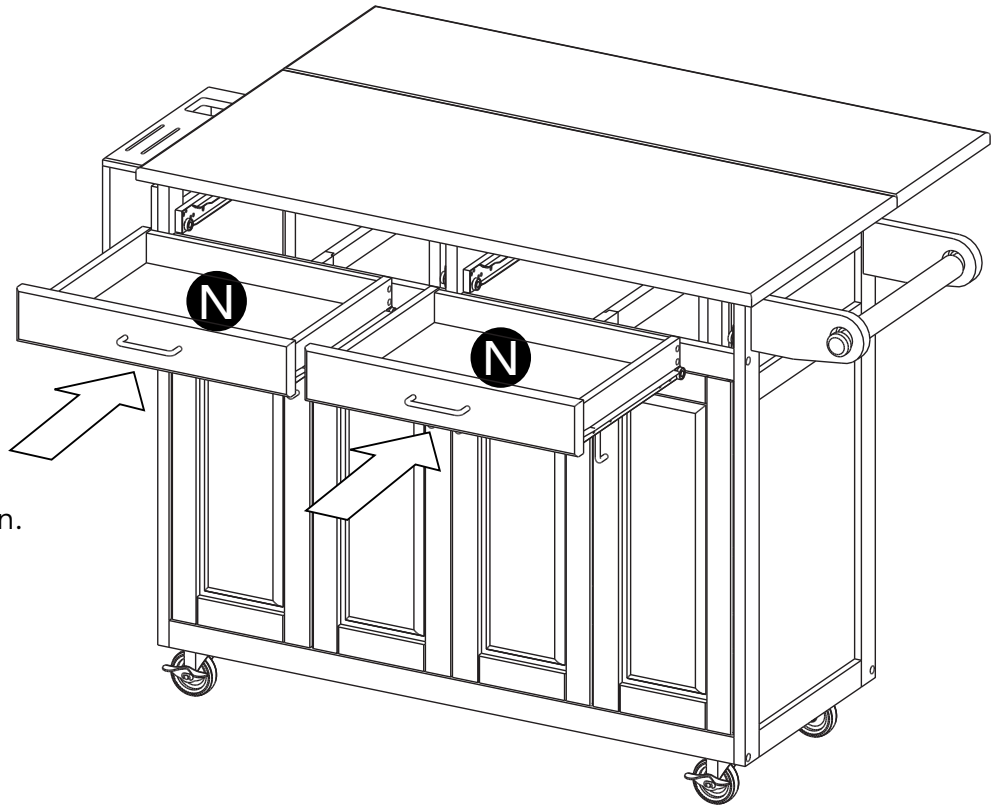
N4.
Drawer Side
2 pcs.



N5.
Drawer Bottom
2 pcs.

STEP 12

Slide Drawers (N) into position.



STEP 13

Cover all holes with Wood Plugs. (See Figure 8)

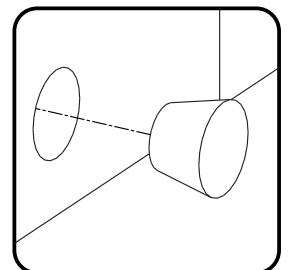


Figure 8

CARE INSTRUCTIONS

NEVER

allow liquids to remain on furniture.
Absorption causes parts to warp
and split and finishes to delaminate.

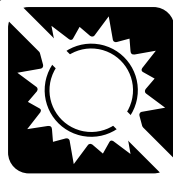
NEVER

use glass cleaners on
finished furniture. Ammonia
chemically attacks the finish.



Do not use power tools
above 8 volts to assemble.

**PREVENT
CRACKING**



Do not place
in direct sunlight.

**PREVENT
FADING**



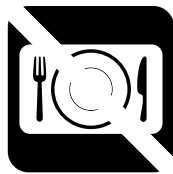
Do not write
directly on surface.

**PREVENT
MARKING**



Do not place hot
objects on surface.

**PREVENT
FINISH DAMAGE**



Do not use rubber
based placemats.

**PREVENT
DISCOLORING**



Do not use commercial
waxes and polishes.

**PREVENT
YELLOWING**

CLEAN

with a soft cloth moistened
in lukewarm soap and water.
Buff with a dry clean cloth.



homestyles will provide replacements free of charge for missing or damaged parts within 30 days of purchase. Digital images of the defective parts may be required. If the product was not purchased from an authorized retailer, **homestyles** is under no obligation to provide replacement parts. Parts are not available for fully assembled items nor are parts available for sale. Replacements for missing or damaged parts may be requested via contact info below.

homestyles Customer Service: www.homestylesfurniture.com,
servicedesk@homestylesfurniture.com, 888-680-7460