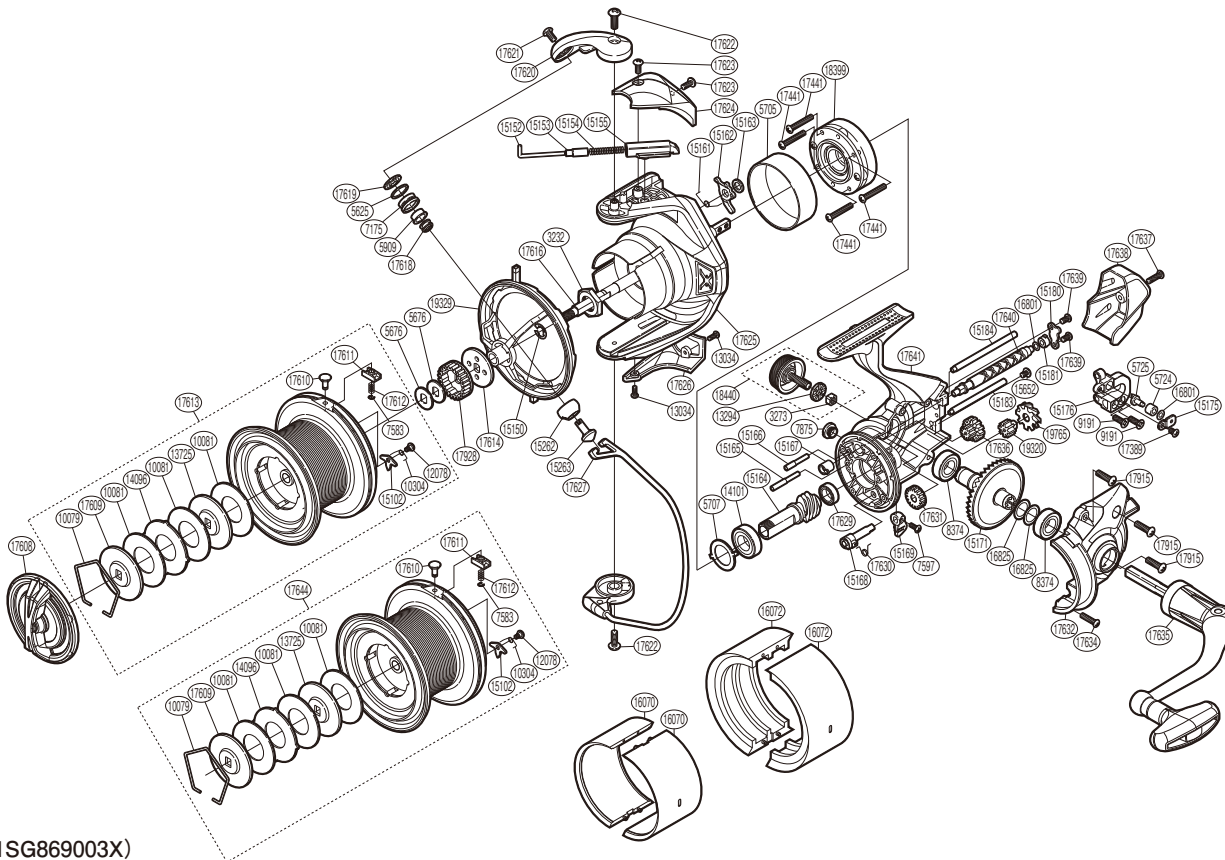


# SHIMANO

## ULTEGRA XTD

## ULT-14000XTD



(51SG869003X)

#	Part No.	Description	#	Part No.	Description	#	Part No.	Description
3232	107VW	Rotor Nut	15163	10764	Washer	17621	10K92	Screw
3273	10C6H	Handle Screw Lock	15164	10BV7	Pinion Gear	17622	10LLK	Screw
5625	10KFF	Line Roller Spacer	15165	10CKK	Idle Gear B Shaft	17623	10LFG	Screw
5676	106VN	Spool Washer	15166	10H4E	Idle Gear C Shaft	17624	10TPD	Bail Spring Cover
5705	106HS	Roller Clutch Ring	15167	106M2	Worm Bushing (Front)	17625	10TP3	Rotor
5707	106MU	Bearing Washer	15168	1053M	Anti-reverse Cam	17626	10TPE	Bail Hold Support Guard
5724	10JUJ	Oscillating Slider Bushing	15169	10G2T	Anti-reverse Lever	17627	10DPU	Bail Assembly
5725	106V1	Oscillating Pawl	15171	109FQ	Drive Gear	17629	10EX6	Ball Bearing
5909	10PFJ	Line Roller Bushing	15175	10HAD	Oscillating Pawl Cover	17630	10DCS	Anti-reverse Cam Spring
7175	10JLX	Line Roller	15176	10G62	Oscillating Slider	17631	10HBN	Idle Gear
7583	105NC	E Lock	15180	10AT4	Worm Shaft Retainer	17632	10TR8	Side Cover
7597	10LCY	Screw	15181	106M3	Worm Bushing (Rear)	17634	10L6Q	Screw
7875	109LW	Oil Cap	15183	10357	Oscillating Guide A	17635	10DFW	Handle Assembly
8374	107FL	Ball Bearing	15184	104M7	Oscillating Guide B	17636	10H4C	Idle Gear C
9191	10ML9	Screw	15262	10G8L	Line Roller Support Cover	17637	103LU	Screw
10079	10MZP	Drag Washers Retainer	15263	10Q3A	Line Roller Support	17638	10TN2	Rear Protector
10081	1031E	Drag Washer	15652	103LG	Screw	17639	10L22	Screw
10304	10JX8	Click Spring	16801	10K9C	Washer	17640	10822	Worm Shaft
12078	10PH4	Screw	16825	10HHK	Washer	17641	10DQB	Body
13034	103NJ	Screw	17389	10LHN	Screw	17915	10DN6	Screw
13294	108X6	Handle Screw Lock Washer	17441	10LJ3	Screw	17928	101Y5	Spool Support A
13725	10PLN	Key Washer	17608	1029H	Drag Knob	18399	10S0Y	Roller Clutch Assembly
14096	10N2H	Eared Washer	17609	10BCF	Key Washer	18440	10S2X	Handle Screw Cap
14101	104PW	Ball Bearing	17610	10ATX	Line Clip	19320	10S81	Idle Gear B Small
15102	1038F	Drag Click	17611	10JQU	Line Clip Holder	19329	10RJV	Line Safety Guard Assembly
15150	105RZ	E Lock	17612	10B03	Line Clip Spring	19765	100EY	Idle Gear B
15152	105YW	Bail Spring Guide A	17613	1029M	Spool Assembly			
15153	10HDL	Bail Spring Guide A Support	17614	10GH5	Spool Support B	17644	1029U	Spare Spool Assembly (accessory)
15154	105LK	Bail Spring	17616	103MD	Main Shaft	16070	10EWH	Spool Economizer A (10000)(accessory)
15155	107A8	Bail Spring Guide B	17618	10CZU	Line Roller Collar	16072	10A9G	Spool Economizer C (3500) (accessory)
15161	106PM	Lever Spring	17619	10PJW	Line Roller Washer			
15162	106KD	Bail Trip Lever	17620	10TP7	Bail Arm			

Please note that the number of adjusting washers may not be the same as shown in the exploded views.  
(Adjustment will vary with each individual product.)

(240624)\_010